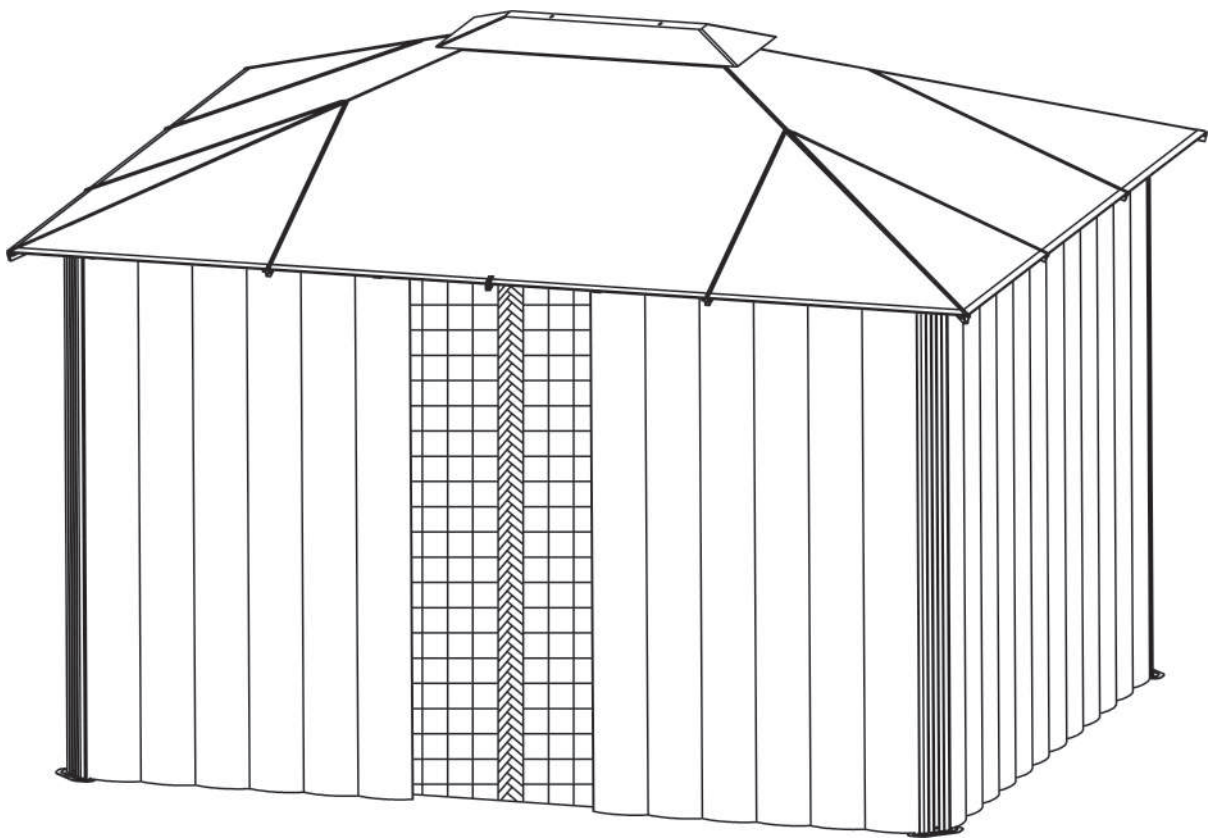


GZH1-1012-CN

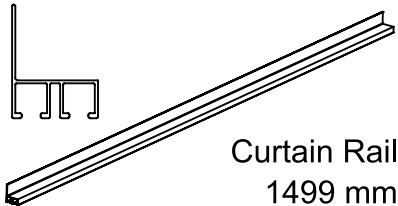
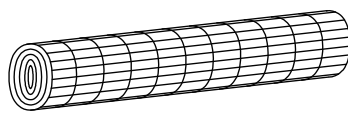
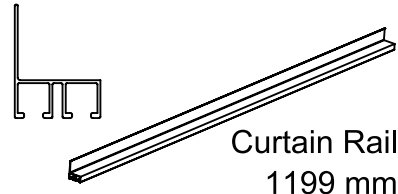
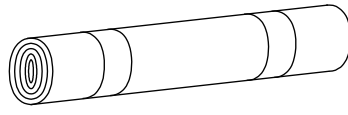
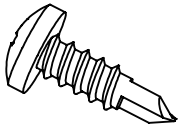
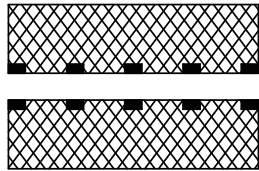
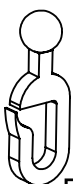
Double Curtain Installation Manual

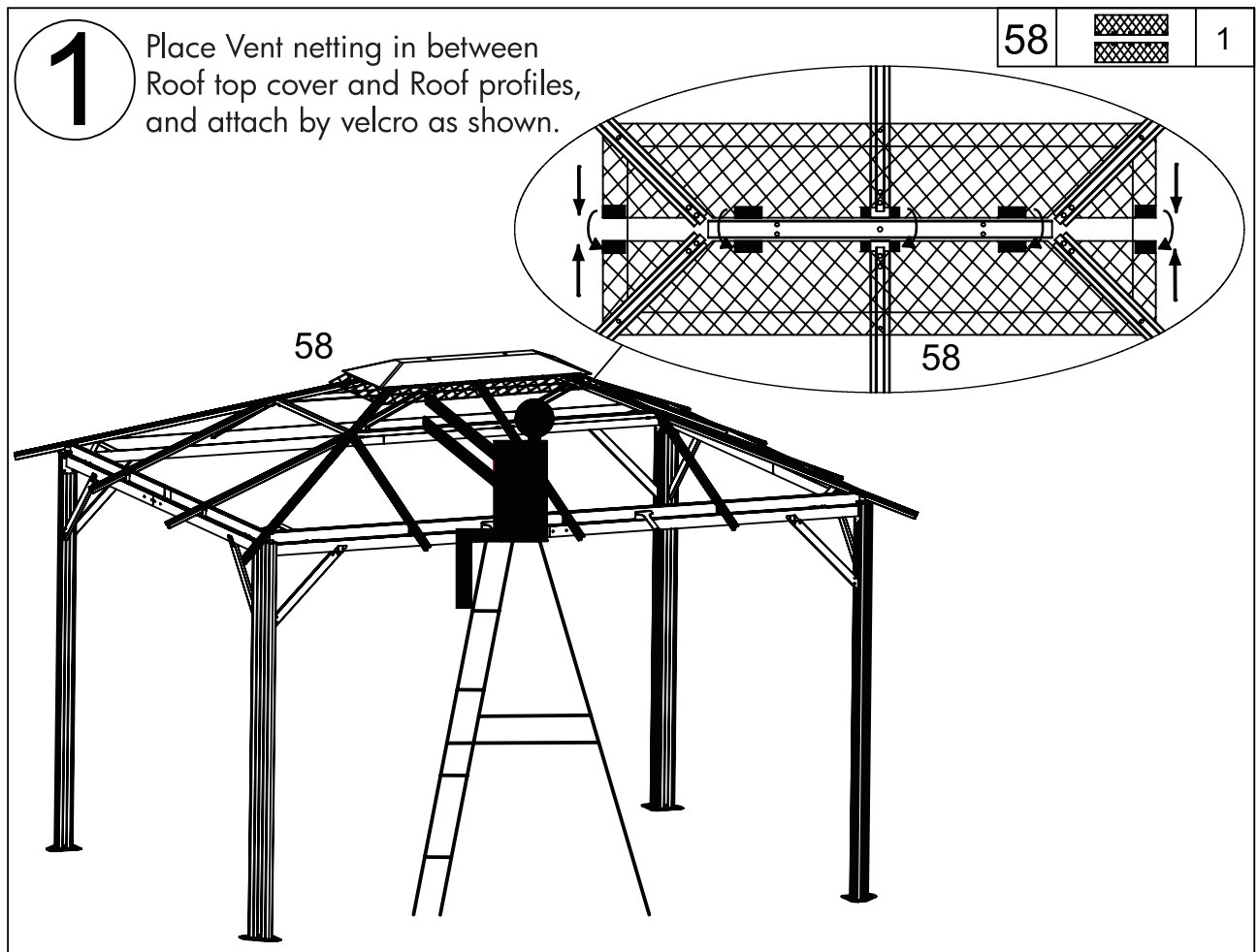


  @paragonoutdoorcompany

Paragon Group USA

Customer Service: (877) 782 4482 Email: cs-outdoors@paragongroupusa.com

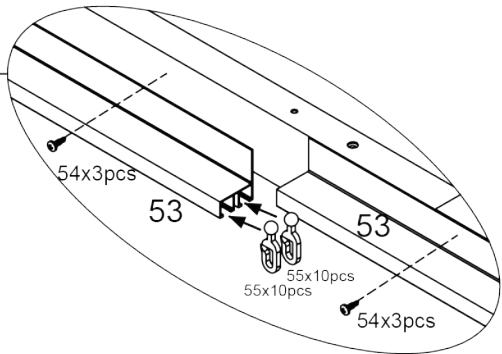
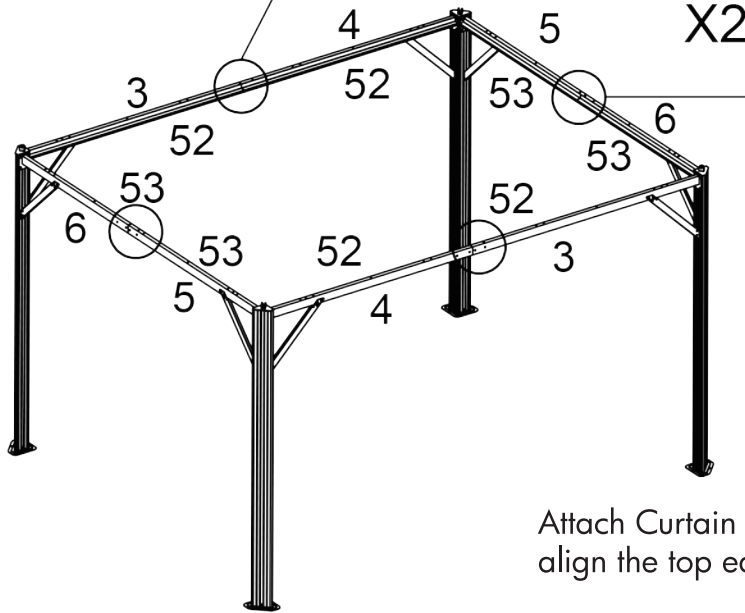
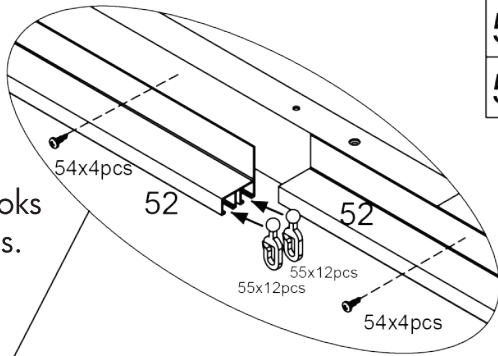
NO.	DRAWING	QTY	NO.	DRAWING	QTY
52	 Curtain Rail 1499 mm	4	56	 Netting curtain	1
53	 Curtain Rail 1199 mm	4	57	 Private curtain	1
54	 Screw M4x15 mm	28 +3	58	 Vent netting	1
55	 Plastic hook	88 +8			



2

Insert Plastic hooks into Curtain rails.

52		4	54		28
53		4	55		88

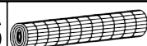


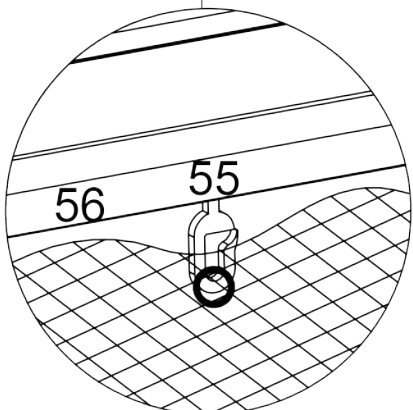
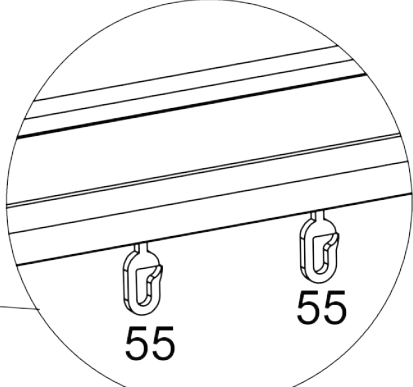
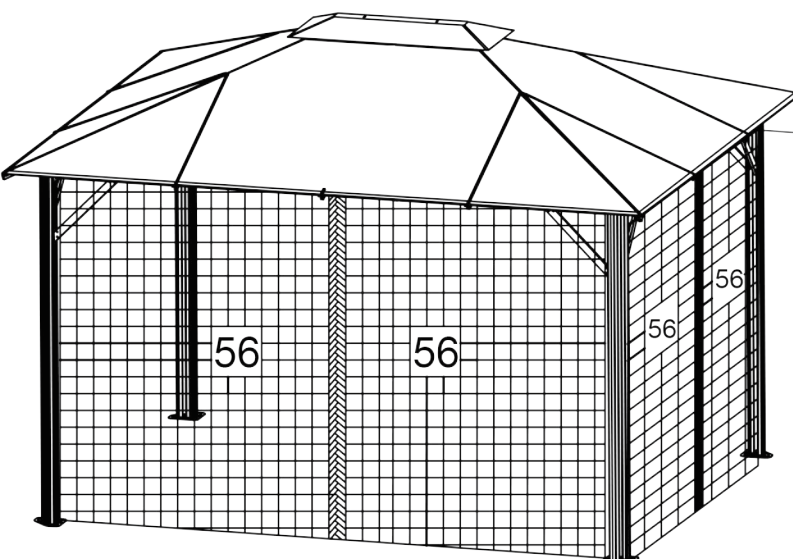
X2

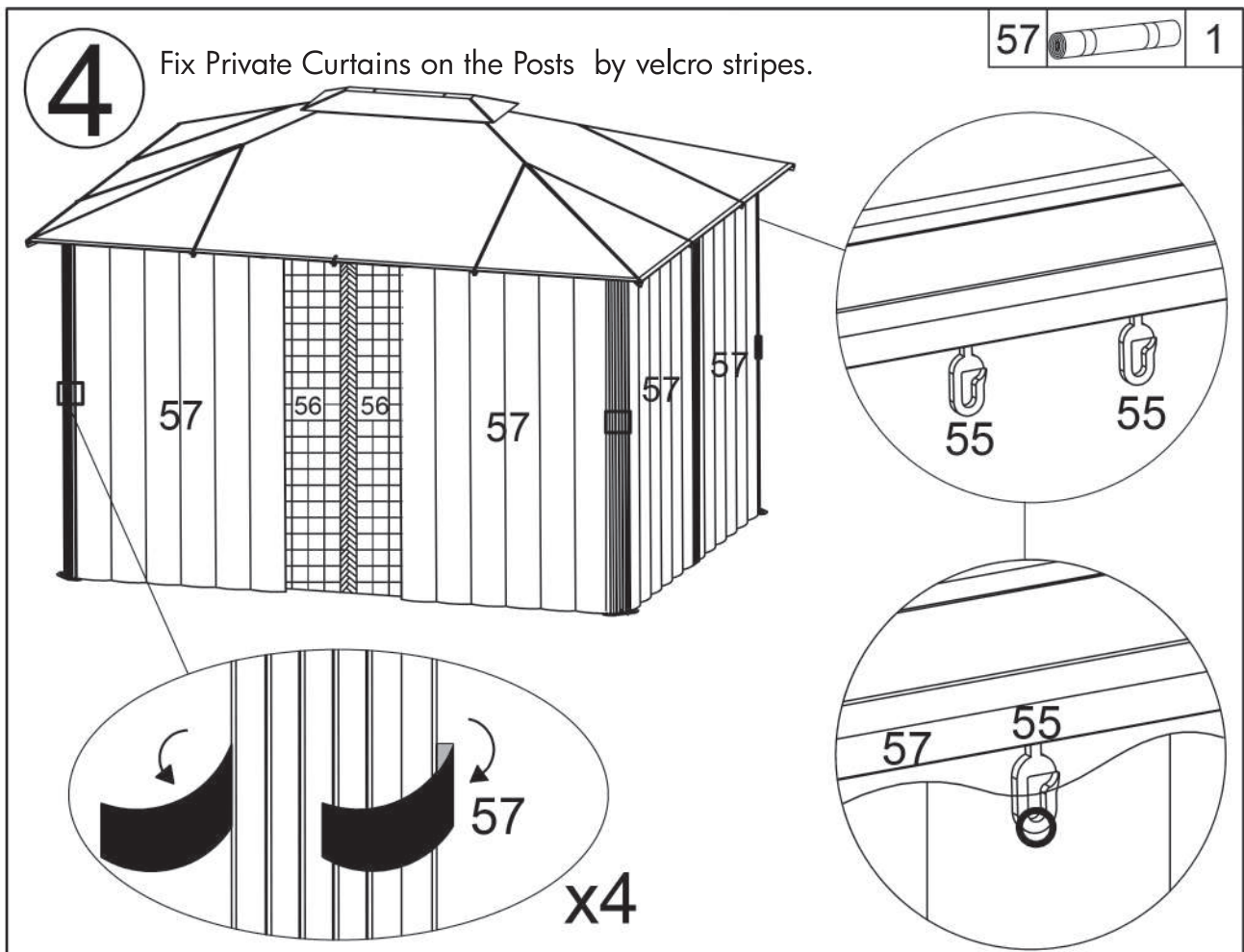
Attach Curtain rails by Self-tapping screws and align the top edge of Roof profile as shown.

3

Hang Netting and Private curtains on the hooks.

56		1
----	---	---





WARRANTY:

Warranty covers damage due to manufacturing defects only. Warranty does not cover weather inflicted damage (Force Majeure) and/or damages caused by not following assembly instructions and adhering to warnings in manual.

ATTENTION: Roof profiles, roof panels and gables must be aligned properly during assembly to minimize any possibility of leaking.



Paragon Group USA



Customer Service: (877) 782 4482 Email: cs-outdoors@paragongroupusa.com