

# MKT-OB Paragon Outdoor Universal Misting Kit with Timer



Paragon Group USA

Customer Service: (877) 782 4482 Email:cs-outdoors@paragongroupusa.com

## Introduction

Thank you for purchasing the Universal Misting Kit with Timer. These instructions include helpful hints and important information needed to safety and properly assemble the misting kit. Please read these instructions completely before you begin.

### Before Starting Assembly:

Make sure you have all the kit parts according to the List of Parts. Select a location for the Misting Timer, on one of the corner profile, which can easily connected with your garden hose and has convenient access for manual operation.

Make sure you have the proper tools for the kit assembly:





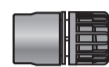






- Tape Measure
- Work Gloves
- Safety Goggles
- Phillips Screwdriver
- Small Step Ladder
- Scissors

A cordless drill with Phillips head bit is highly recommended.

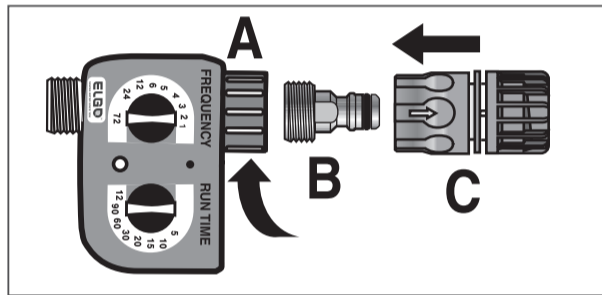
### Safety Advice

Keep children and pets away from the assembly area until the work is completed. Always wear shoes, gloves and safety goggles when working. If using power tools or a ladder, always follow the manufacturers safety instructions.

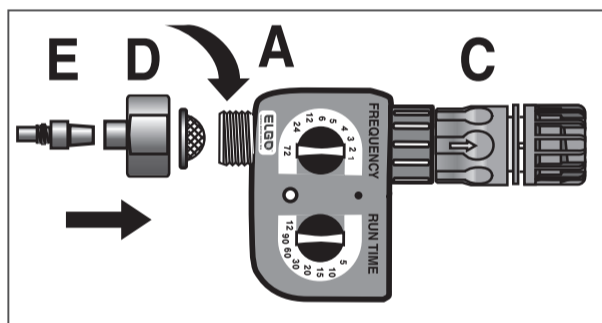
## List of Parts

<b>A</b>	Misting Timer WT-218	 x 1	<b>G</b>	Drills screws (black)	 x 20
<b>B</b>	Male Adaptor	 x 1	<b>H</b>	1/4" PE tube 50ft (black)	 x 1
<b>C</b>	Hose Connector	 x 1	<b>I</b>	Super fogger with Anti Drain device	 x 2
<b>D</b>	Female Adaptor with Filter (D)	 x 1	<b>J</b>	Tubing Weight	 x 2
<b>E</b>	1/4" Tube Adaptor	 x 1	<b>K</b>	1/4" T-branch (black)	 x 1
<b>F</b>	Plastic tightening chain 11.7" (black)	 x 7			

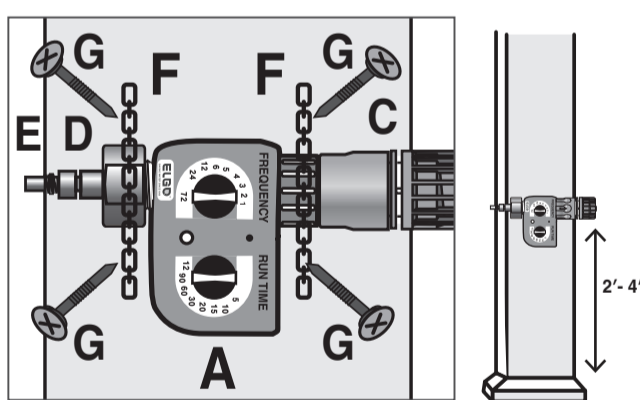
1. Screw the Male Adaptor (B) into the Misting Timer inlet (A) and attach the Hose Connector (C) to the Male Adaptor (B)



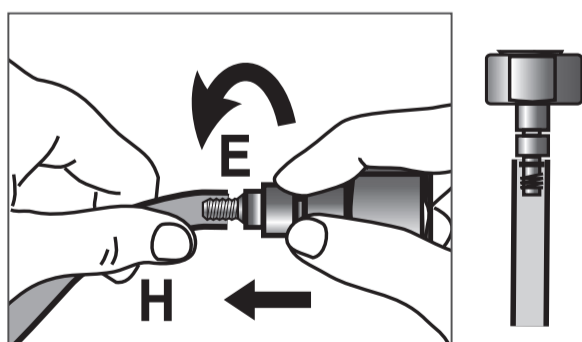
2. Screw the Female Adaptor with filter (D) into the Misting Timer (A) outlet and push the conic side of the 1/4" Tube Adaptor (E) into Female Adaptor (D).



3. Cut a Plastic Tightening Chain (F) into two pieces and attach the Misting Timer (A) in vertical position on the corner profile, using the Drill Screws (G).



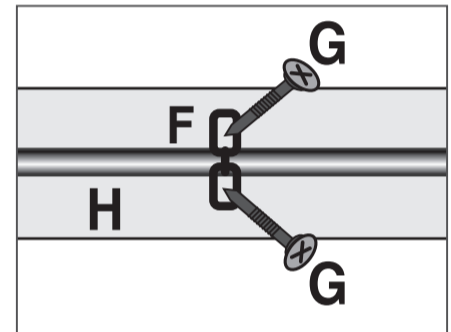
4. Connect one end of the 1/4" tube (H) to the 1/4" Tube Adaptor (E) thread.



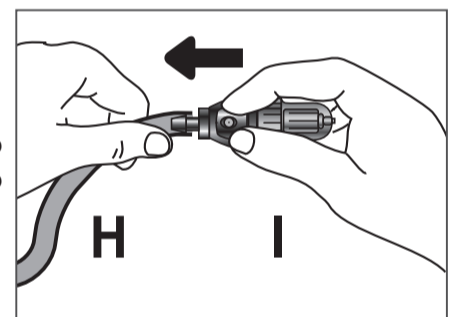
5. Lay the 1/4" tube (H) along the profiles frame, according to your foggers placing plan.

The recommended location for the fogger units is in the middle of the roof, over the main sitting area. The spacing between the fogger units should be 4' - 8'.

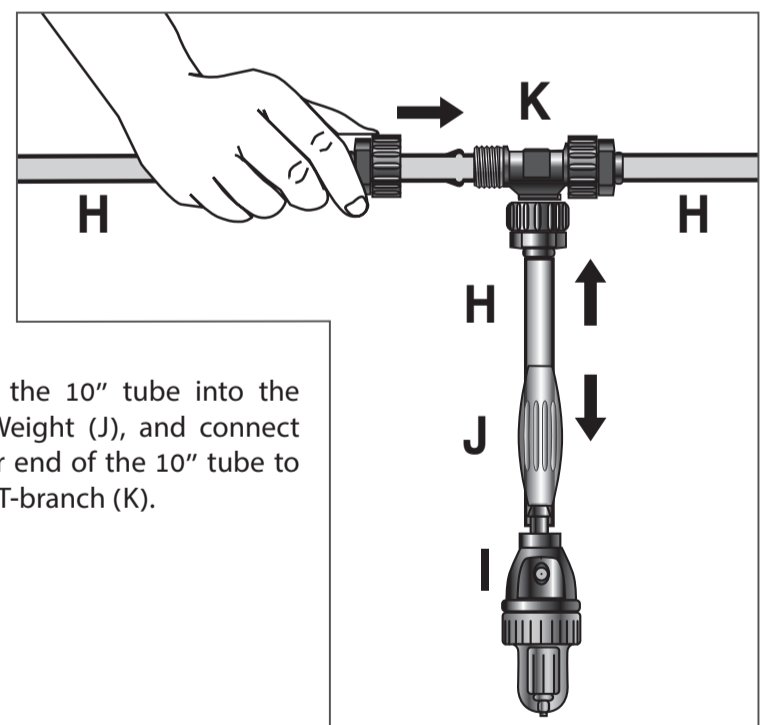
Use Plastic Tightening Chain (F) pieces of two links and Drill Screws (G) to attach the 1/4" Tube (H) on the frame profile.



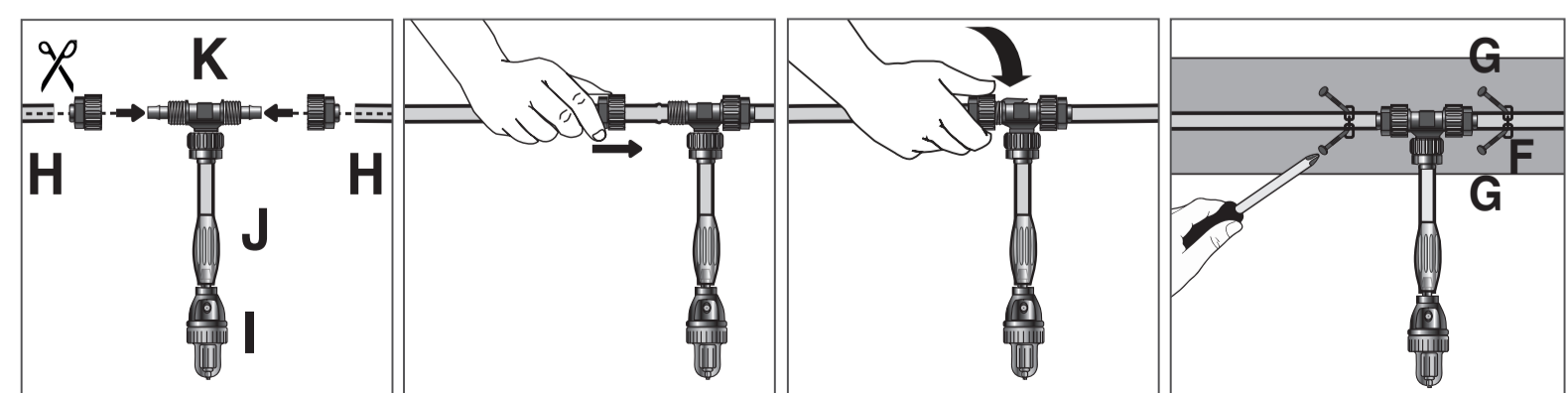
6. Cut a piece of the 1/4" Tube (H) to 10". Connect the 10" tube end to the Super Fogger (I) barb inlet.



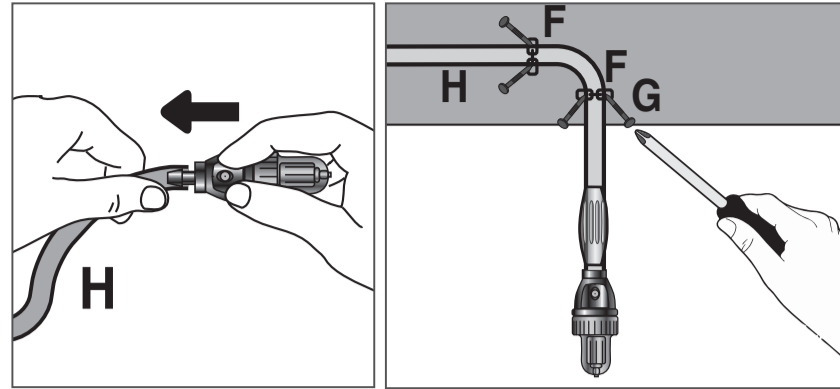
7. Insert the 10" tube into the Tubing Weight (J), and connect the other end of the 10" tube to the 1/4" T-branch (K).



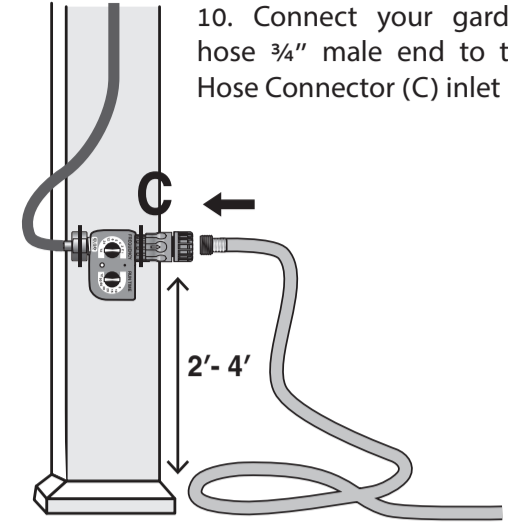
8. Connect the fogger unit with the 1/4" T-branch assembly to the 1/4" Tube (H), according to your plan. Attach Plastic Tightening Chain (F) pieces of two links and Drill Screws (G), in two sides of the 1/4" T-Branch (K)



9. Cut the ¼" Tube (H) according to the place of the second fogger unit with additional tubing of 10". Place the second Super Fogger (I) with Tubing Weight (J) on the tube end.



10. Connect your garden hose ¾" male end to the Hose Connector (C) inlet.



11. Prepare the Misting Timer (A) for operation, according to the instructions below.

## Operation Steps

- After the system installation, make a system test by opening the main faucet and operating the timer on manual On/Off function. Make sure that all fittings have been firmly attached.
- For operation, open the hose faucet, and program the timer for few seconds every few minutes. Start with 5 seconds every 5 minutes and adjust the programming according to the weather conditions, till you fill effective fogging routine.

## Installation Tips

- The recommended pressure in the foggers, is between 45-60psi. This is regular pressure in municipal areas. In case of lower pressure, the fog effect is less efficient as the drops are bigger.
- In case of high pressure over 70psi, it is recommended to install a ¾" pressure reducer for 60psi (Not supplied with the kit), on the main faucet.
- Pay attention to close the main hose faucet while nobody is in the system area, to prevent any problem of piping leakage.

## Electronic Misting Timer Operation Instructions

### INSTALLATION :

- Open the battery compartment. Insert new alkaline AA-1.5V (x2) batteries and close the compartment carefully. (1)
- Hold the unit steady. Screw the collar onto the faucet/tap until tight, then tighten the locking collar. Turn on the faucet/tap. Do not use a wrench or pliers. (2)
- Turn the knob and set up the RUN TIME. (3)
- Turn the FREQUENCY knob to the RESET position. (4)  
After the red light flashes, set up the FREQUENCY time.
- If you do not see the flash of the red light, Check the batteries and make sure that they are installed correctly.
- Record your set up date and time, FREQUENCY and RUN TIME in your notebook for future reference.  
At any time you can use the ON/OFF function (6). When you turn the knob to ON, the valve will open for 30 minutes and then turn off automatically. Or you can turn the RUN TIME knob to the OFF position manually.

### FOR EXAMPLE :

Every 5 minutes, misting 10 seconds:

Turn the RUN TIME knob to 10 sec and FREQUENCY to 5 min.

It will start to mist for 10 seconds automatically and repeat misting for 10 seconds every 5 minutes after that.



### TROUBLE SHOOTING GUIDE :

If the water cannot come out, please check the following:

- The faucet/tap should be turned on.
- Make sure the batteries are in good condition.
- Check the FREQUENCY and RUN TIME settings are the same as your record.
- The FREQUENCY time must be longer than the RUN TIME.
- If the timer still does not work, please contact Customer Service at (877) 782 4482.

### THE DELAY FEATURE (7):

The timer will start immediately when RUN TIME and FREQUENCY are set.

You can use the time delay feature if you do not want it to start instantly. Set RUN TIME first, then turn the FREQUENCY knob to RESET. Now use the point of a pen to press the button for the hours you want to delay the watering. You can delay the watering in hourly intervals only, up to a maximum delay of 12 hours. The green light flashes one time when pressing the button one time. So to delay watering for 3 hours, press the time delay button 3 times and the green light flashes 3 times.

### TECHNICAL DATA :

- Min operation pressure 0 bar (0 PSI) -Max. operation pressure : 8 bar (120 PSI).
- Max. water pressure 60°C (140° F)

### LOW BATTERY INDICATOR :

While the low battery light remains on continuously, the valve will be shut off & locked automatically. Please turn off the faucet/tap and release the screw of the battery compartment. Replace the old batteries with new AA-1.5V batteries, then close the battery compartment tightly.

