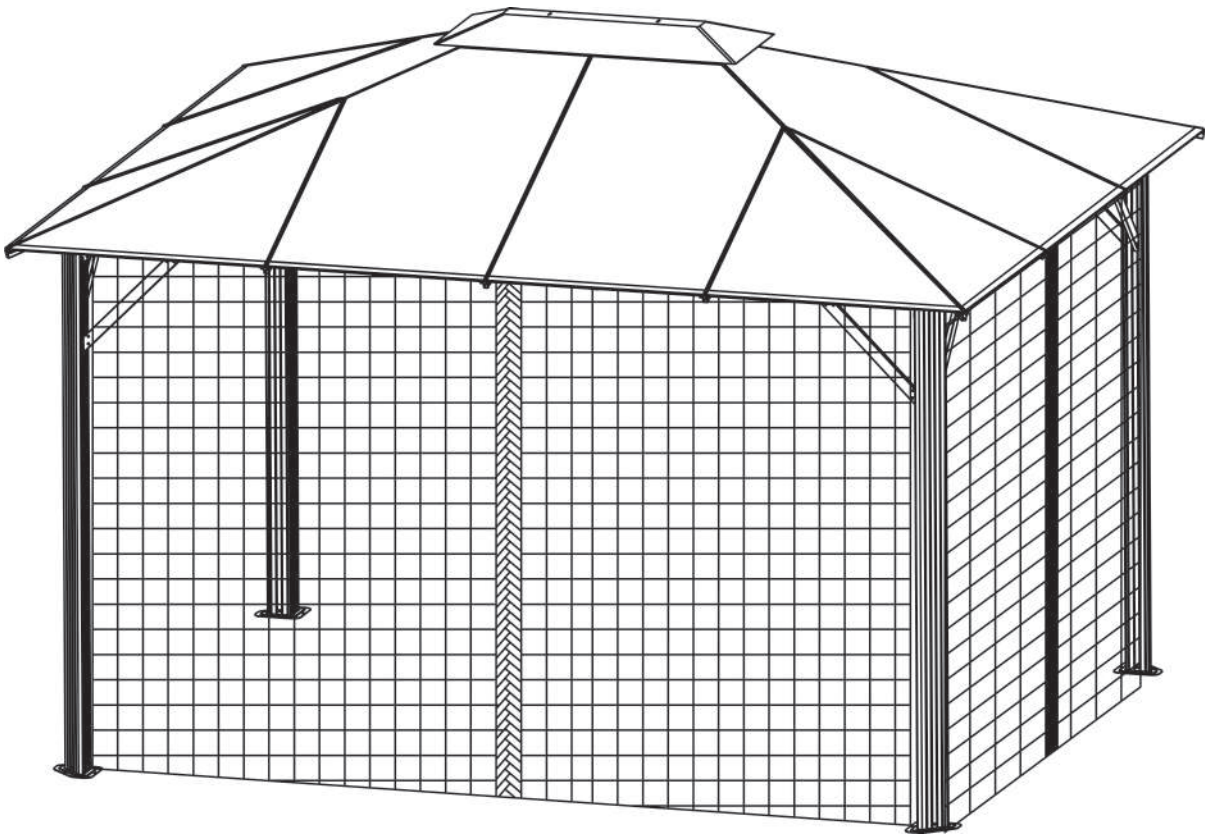


GZH2-1113-MN

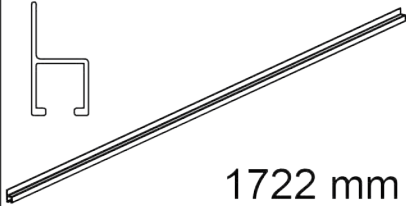

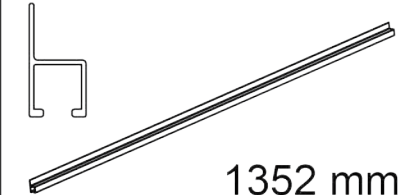
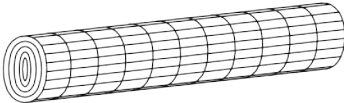
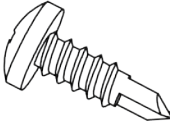
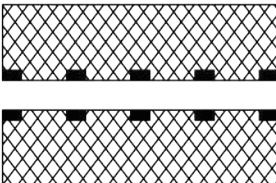
Netting Curtain Installation Manual

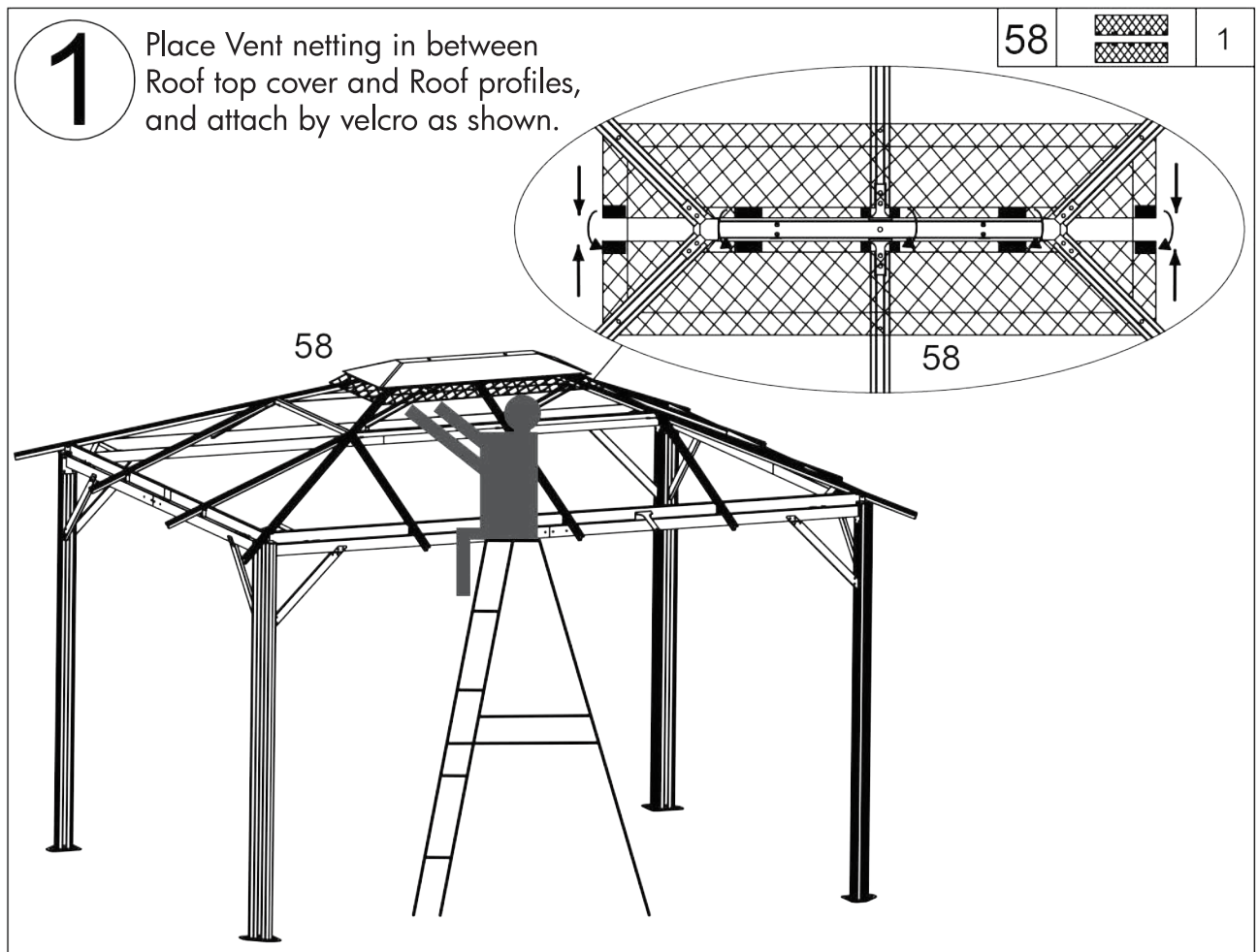


  @paragonoutdoorcompany

Paragon Group USA

Customer Service: (877) 782 4482 Email: cs-outdoors@paragongroupusa.com

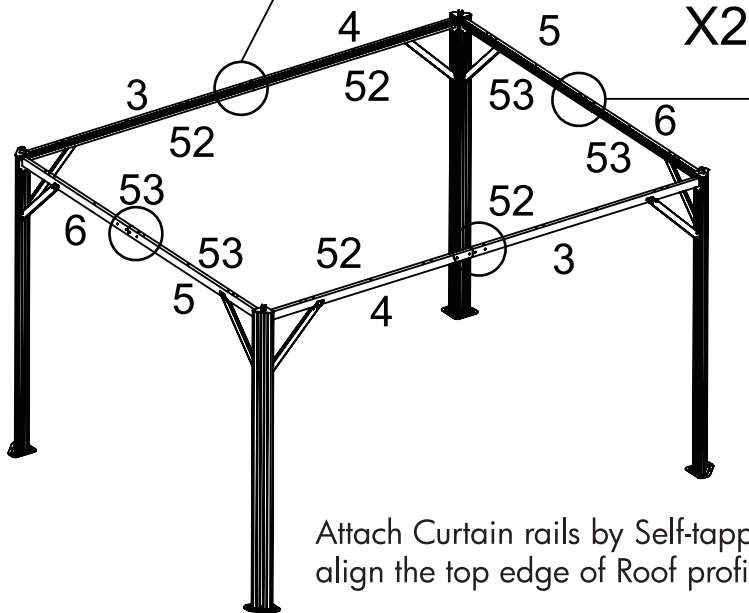
NO.	DRAWING	QTY	NO.	DRAWING	QTY
52	 1722 mm	4	55		44 +4
53	 1352 mm	4	56		1
54	 M4x15 mm	28 +3	58		1



2

52		4	54		28
53		4	55		44

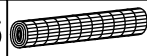
Insert Plastic hooks into Curtain rails.

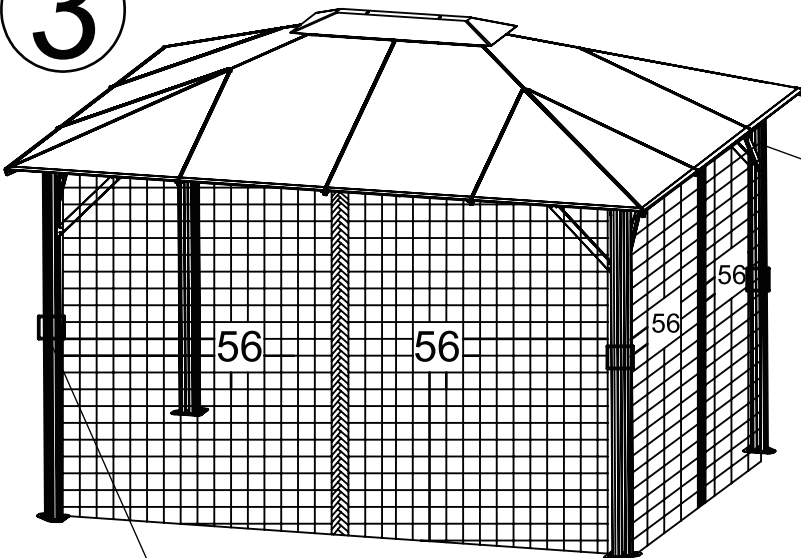


Attach Curtain rails by Self-tapping screws and align the top edge of Roof profile as shown.

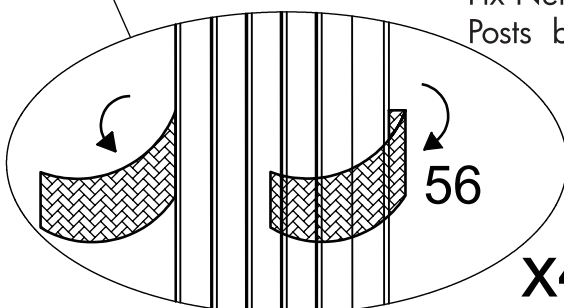
3

Hang Netting curtains on the hooks.

56		1
----	---	---



Fix Netting Curtains on the Posts by velcro stripes.



GZH2-1113-MN

Netting Curtain Installation Manual

WARRANTY:

Warranty covers damage due to manufacturing defects only for a period of 1 year on the netting. Warranty does not cover weather inflicted damage and/or damages caused by not following assembly instructions and adhering to warnings in manual. Warranty does not cover user error, negligence, or misuse.

ATTENTION: Roof profiles, roof panels and gables must be aligned properly during assembly to minimize any possibility of leaking.



  @paragonoutdoorcompany

Paragon Group USA

Customer Service: (877) 782 4482 Email: cs-outdoors@paragongroupusa.com