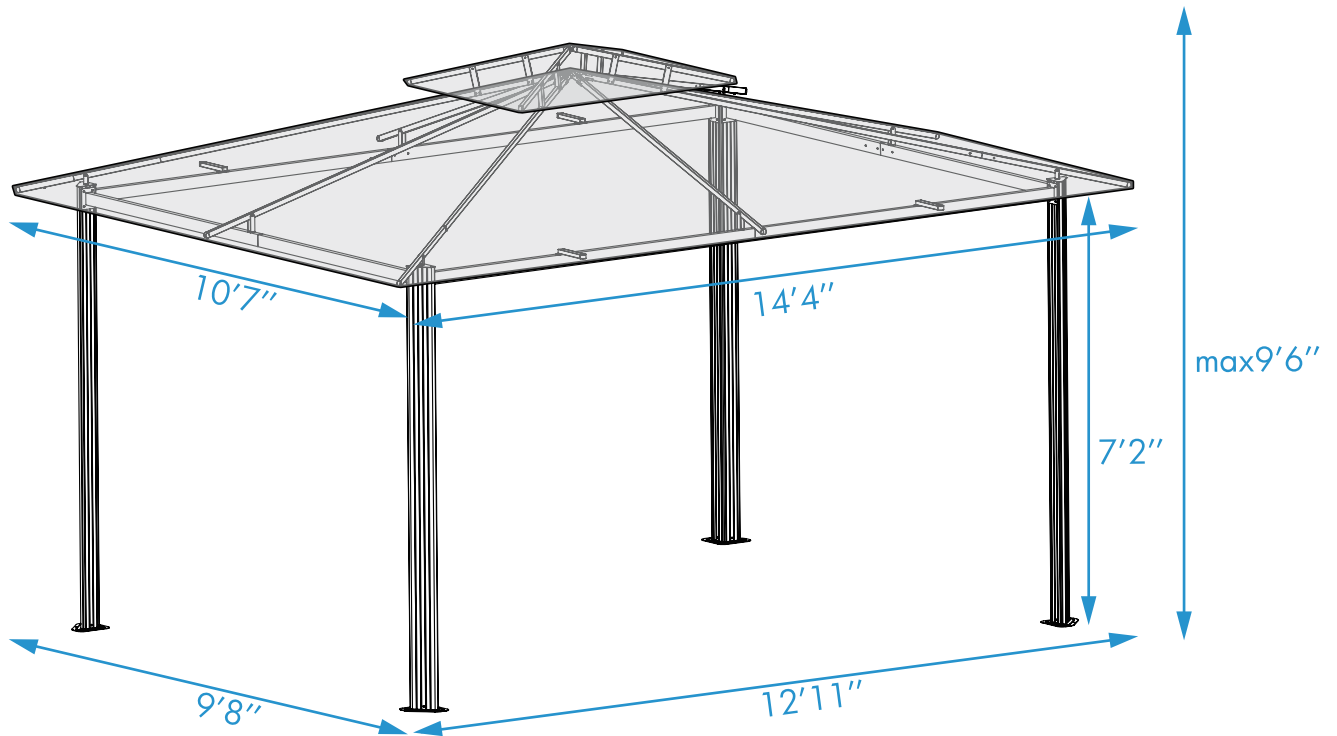


# Gazebo GZ584

## Assembly Instructions

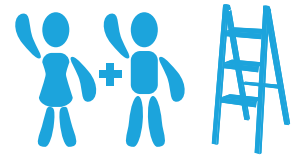


Instagram Facebook @paragonoutdoorcompany

Paragon Group USA

Customer Service: (877) 782 4482 Email: cs-outdoors@paragongroupusa.com

# Introduction



Thank you for purchasing the Gazebo GZ584.

When properly assembled and maintained, this gazebo will provide many years of enjoyment!

These instructions include helpful hints and important information needed to safely assemble and properly maintain the gazebo. Please read these instructions completely before you begin.

Our patented gazebo has been designed for easy assembly. All steps can be completed by a team of two people.

## Before Starting Assembly:

CAREFULLY READ ALL THE INSTRUCTIONS BEFORE YOU BEGIN AND FOLLOW THE STEPS IN THE ORDER THEY ARE PRESENTED.

### 1. Make sure you have all the necessary parts:

Compare the contents of the two cartons to the List of Parts. If any parts are missing or damaged, or you have any questions, please contact Customer service: (877)782 4482 before beginning assembly.

### 2. Lay the parts out in separate staging areas:

The List of Parts has the corresponding step number referenced to each part. We recommend that while you go through the list, make staging areas for each step and place the parts necessary for each step in these areas. This will save you time and effort during assembly.

### 3. Select a Location:

When selecting a location for your gazebo, a flat level area is essential and if possible with proper water drainage and easy access to power and water, if necessary.

Choose a sunny, level position away from overhanging trees and power lines and protected from the wind as much as possible. Locate underground pipes or cables before preparing the site or anchoring the gazebo.

Note: You may assemble the gazebo on a hard level surface and move it to its final location when finished. Make sure that there are no obstacles between the assembly area and the final position.

### 4. Prepare a Foundation:

After choosing a location, proper preparation of the site is recommended. The site must be level.

If the site is not level, create a base slightly larger than the outside dimensions of the gazebo using a perimeter of two by four's filled with either soil, sod or gravel.

Make sure the base is square by measuring the diagonals from both directions and making sure they are equal. The gazebo is secured with pegs into holes cast with concrete.

If you decide to have a concrete base, it is best to contact a reliable contractor to make sure it is flat and level. Make sure you have checked with your local authorities regarding any required building permits.

### 5. Make sure you have the proper tools:

- Tape Measure
- Work Gloves
- Safety goggles
- Phillips Screwdriver
- Spirit Level
- 3/8" masonry drill bit to drill holes for the concrete anchors supplied.
- 2 Small Step Ladders
- Wooden Mallet
- Scissors
- Liquid soap or WD40 Lubricant

NOTE: A cordless drill with Phillips head bit is highly recommended but not essential.

## Safety Advice

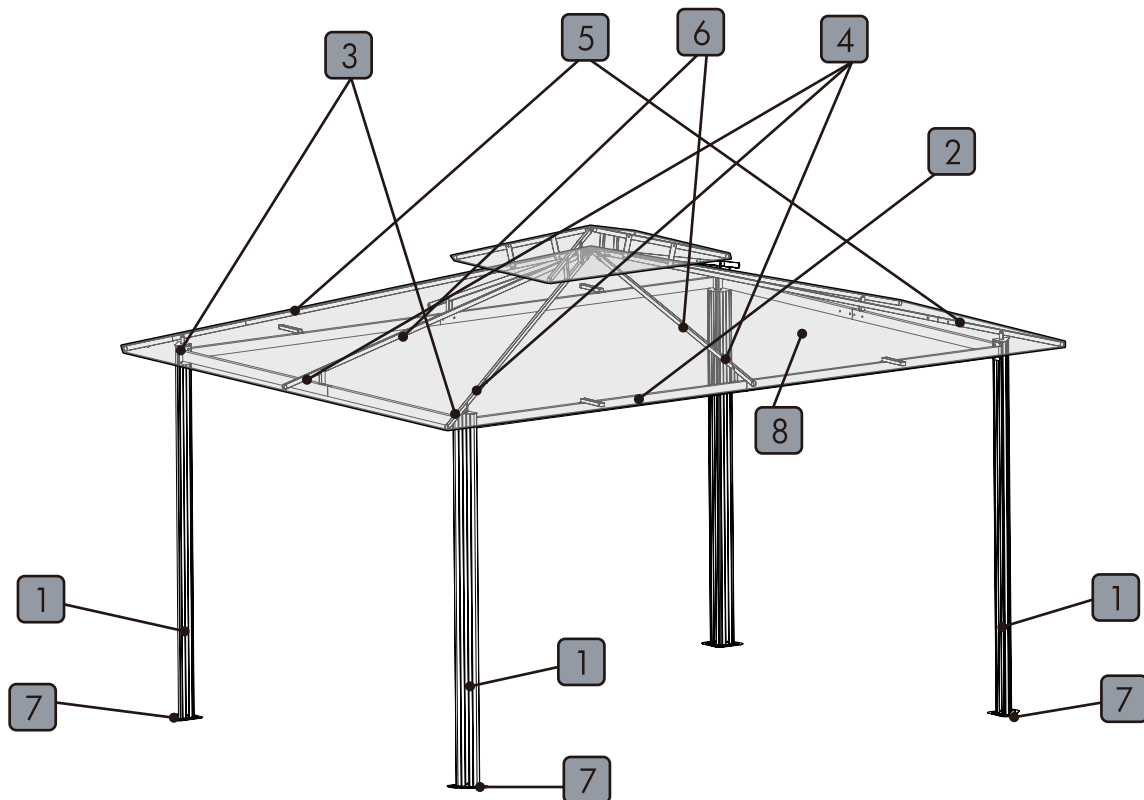
- The gazebo must be positioned and fixed on a flat level surface.
- Dispose of all plastic bags safely. Keep them out of the reach of children.
- Keep children and pets away from the assembly area until the work is completed.
- Always wear shoes, gloves and safety goggles when working.
- Take special care not to touch overhead power lines with the aluminium profiles.
- Do not attempt to assemble the gazebo in windy or wet conditions.
- Do not position your gazebo in an area exposed to excessive wind.
- If using power tools or a ladder, always follow the manufacturers safety instructions.
- Hot items such as recently used grills, blowtorches etc. must not be stored in the gazebo.
- Make sure the gazebo complies with local building codes.

## Table of Contents

Introduction.....	2
Table of Contents.....	3
List of Parts.....	4
<b>Step 1</b> : Assembling the Corner Profiles .....	6
<b>Step 2</b> : Assembling the Rails Profiles .....	7
<b>Step 3</b> : Attaching the Roof Profiles to Corner Profiles .....	8
<b>Step 4</b> : Attaching the Roof Connectors .....	9
<b>Step 5</b> : Attaching the Corner Roof Gables .	10
<b>Step 6</b> : Attaching the Corner Roof Gables .	14
<b>Step 7</b> : Securing the Gazebo to the Ground.	14
<b>Step 8</b> : Placing the Canopy .....	15
Optional Securing the Gazebo to a Concrete Floor or Wood Deck.....	17

## General Order of Assembly

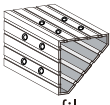

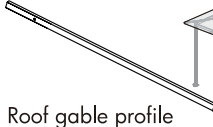
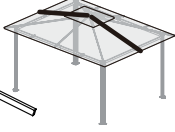
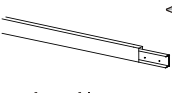

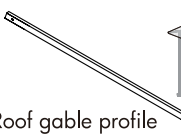
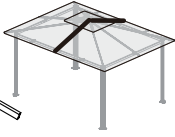
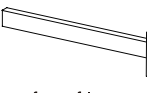



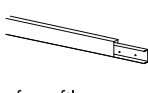
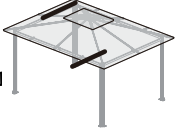
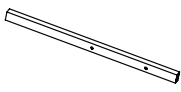


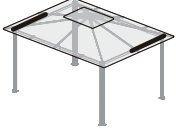
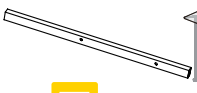

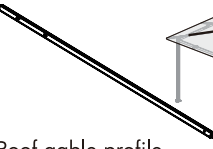

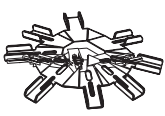
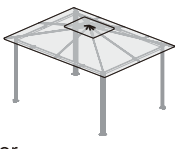
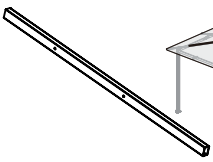


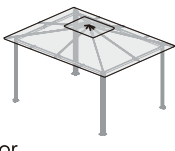


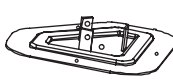

- Step 1** : Assembling the Corner Profiles
- Step 2** : Assembling the Rails Profiles
- Step 3** : Attaching the Roof Profiles to Corner Profiles
- Step 4** : Attaching the Roof Connectors
- Step 5** : Attaching the Corner Roof Gables
- Step 6** : Attaching the Corner Roof Gables
- Step 7** : Securing the Gazebo to the Ground
- Step 8** : Placing the Canopy




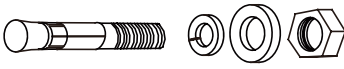

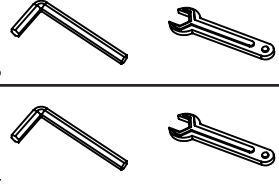
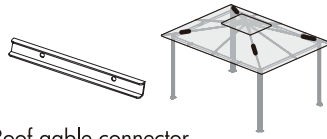

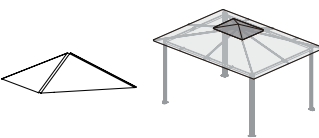

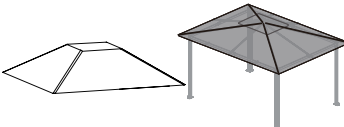
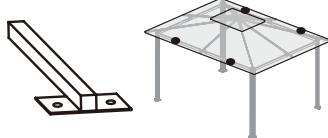
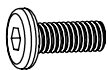

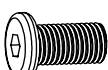
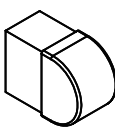
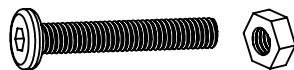
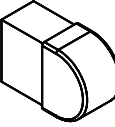

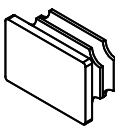
# List of Parts



The gazebo is shipped in three cartons. These cartons are heavy. Be careful when lifting them. Wear proper safety gear including work shoes, gloves and goggles. The parts are identified by removable stickers. Place all the parts for each step in staging areas, checking that you have all parts as you go. If any parts are missing or damaged, contact customer service before beginning assembly:  
 Customer Service: (877) 782 4482 Email: cs-outdoors@paragongroupusa.com

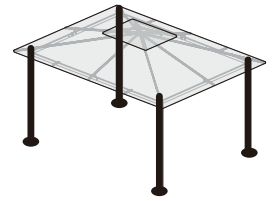
No.	Profile	Qty	Step	Box	No.	Profile	Qty	Step	Box
1	  Corner profile 2200mm	4	1	1	7	  Roof gable profile 2226mm	2	6	1
2	  Roof profile 2100mm	2	2	1	8	  Roof gable profile 1677mm	2	6	1
3	  Roof profile 1800mm	2	2	1	9	  Roof gable extension 270mm	2	5	2
4	  Roof profile 1600mm	2	2	1	11	  Roof gable extension 645mm	2	5	1
5	  Roof profile 1300mm	2	2	1	12	  Roof gable extension	2	5	1
6A	  Roof gable profile	4	5	1	13A	  Top gable connector	1	5	2
6B	 	4	5	1	13B	  Top gable connector	1	5	2
6C	 	8	5	2	14	  Support plate	4	1	2

6

No.	Profile	Qty	Step	Box	No.	Profile	Qty	Step	Box
15	 Corner profile cover	4	1	1	25	 M8x70mm	12		2
16	 Roof connector	4	4	2	26	 M6 M4	1 1		2
17	 Roof gable connector 240mm	4	5,6	2	27	 Roof connector	4	4	2
18	 Fabric canopy top	1	8	Canopy BOX	28	 Screw M6x38mm	8	5,6	2
19	 Fabric canopy	1	8	Canopy BOX	29	 Roof connector	4	4,8	2
21	 Screw M6x15mm	44	3	2	30	 Screw M4x25mm	24	5	2
22	 Screw M8x15mm	32	1,2,4,5	2	31	 Plastic Cap	14	5,6	2
23	 Screw M6x33mm	8	5,6	2	32	 Plastic Cap	6	4,5	2
24		12	7	2	33	 Plastic Cap	4	4	2

We included some extra screws and bolts for your convenience.

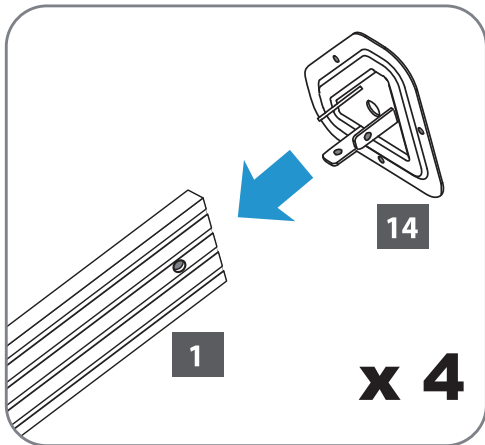
# STEP 1 Assembling the Corner Profiles



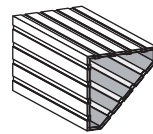
Place all the parts on a level surface.  
Make sure the pieces are in the correct positions before assembling.  
Carefully follow the order of assembly to ensure an easy installation.  
Wear proper safety gear including work shoes, gloves and goggles.

## 1.A

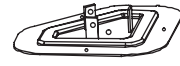
Place corner profiles(1) parallel to each other on the ground. Slide support plates(14) into corner profiles from the end with a single screw hole, as shown.



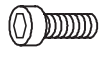
## Components



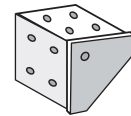
Corner profile (1)  
x 4



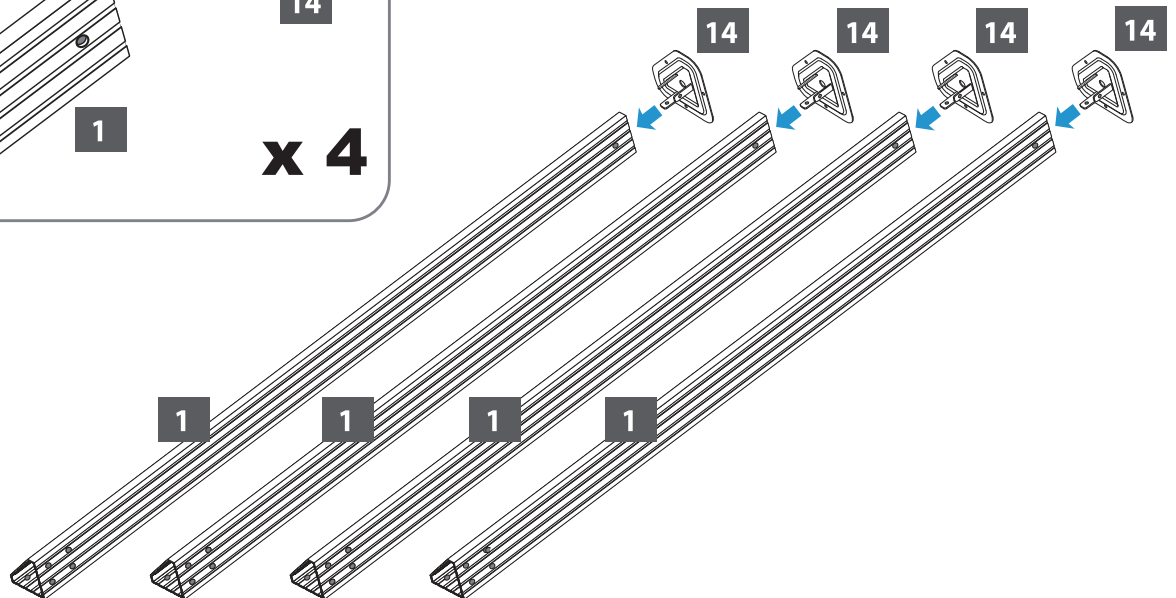
Support plate (14)  
x 4



Screw (21)  
x 12

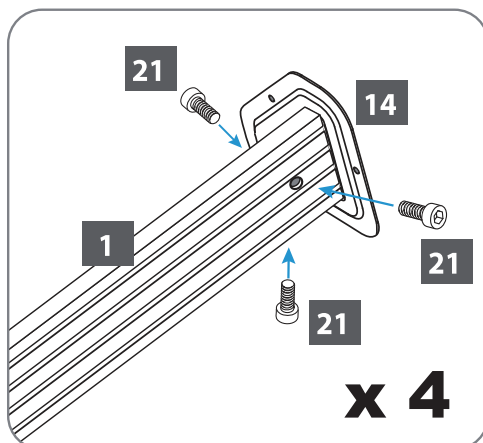


Corner profile cover (15)  
x 4



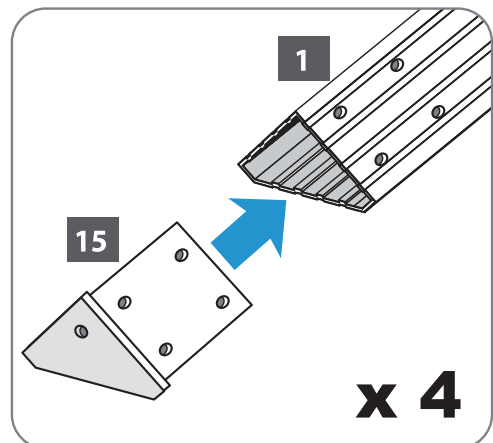
## 1.B

Fasten each plate to profile using three screws(21).



## 1.C

Insert corner profile covers(15) into top ends of corner profiles(1) as shown.



## STEP 2 Assembling the Roof Profiles

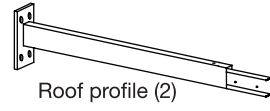


Place all the parts on a level surface. Make sure the pieces are in the correct positions before assembling. Carefully follow the order of assembly to ensure an easy installation. Wear proper safety gear including work shoes, gloves and goggles.

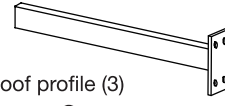
### 2.A

Insert end of long roof profile(2) into long roof profile(3) as shown. Fasten with screws(21). Repeat to make two sets.

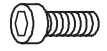
#### Components



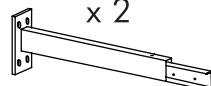
Roof profile (2)  
x 2



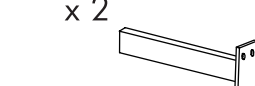
Roof profile (3)  
x 2



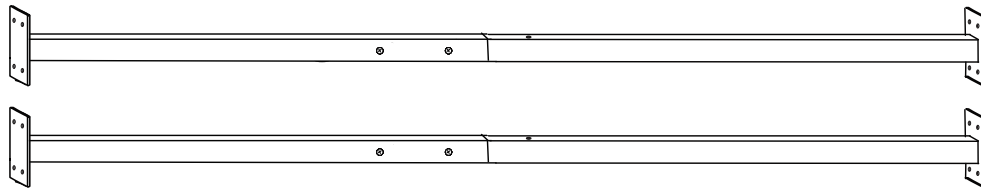
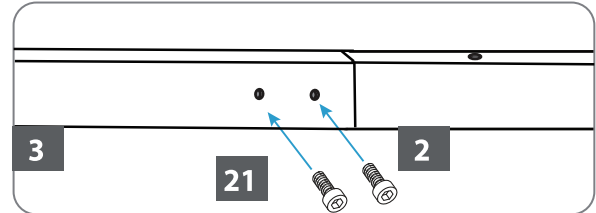
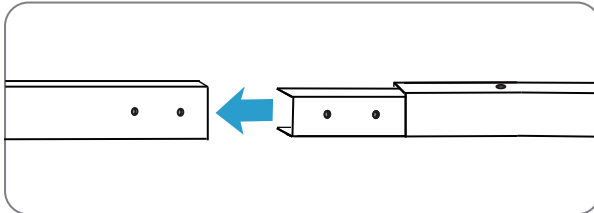
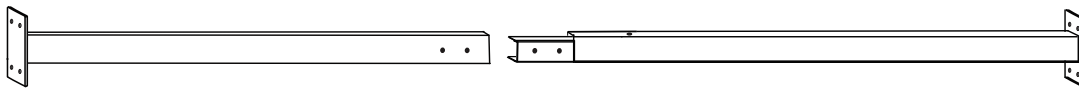
Screw (21)  
x 8



Roof profile (4)  
x 2

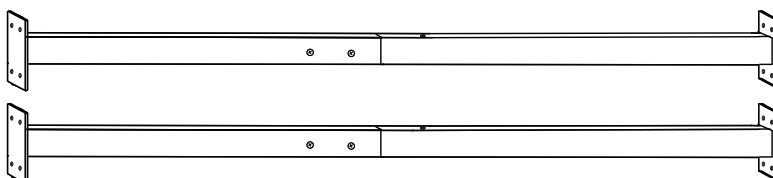
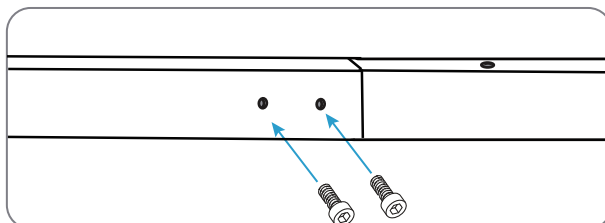
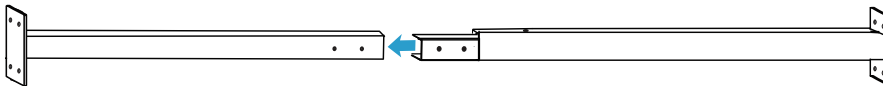


Roof profile (5)  
x 2



### 2.B

Insert end of short roof profile(4) into short roof profile(5) as shown. Fasten with screws(20). Repeat to make two sets.

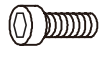




# STEP 3 Attaching Roof Profiles to Corner Profiles

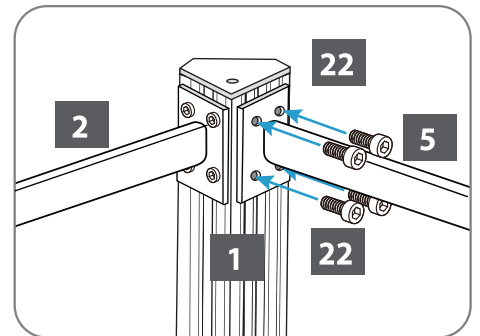
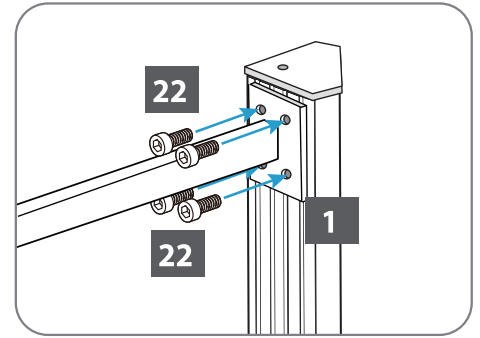
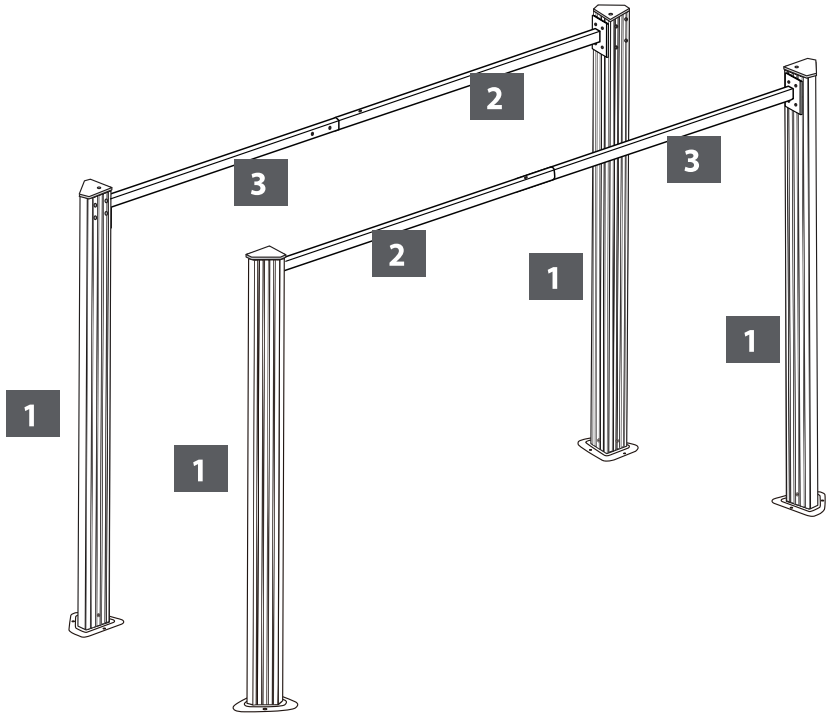


Components

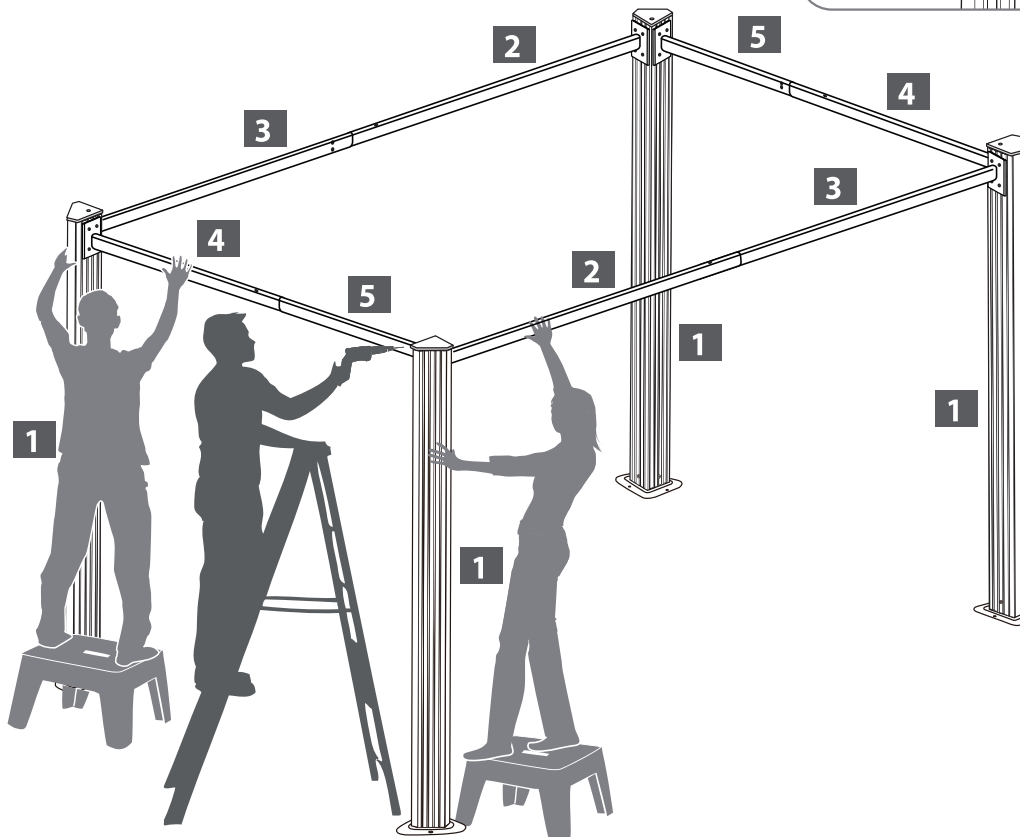


Screw (22)  
x 32

**3.A** Attach long roof profile sets(2,3) to corner profiles(1) as shown. Fasten with bolts(22). Repeat to make two sets.

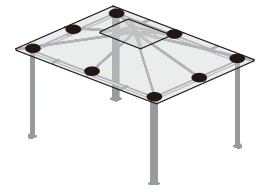


**3.B** Attach short roof profile sets(4,5) to corner profiles(1) as shown. Fasten with bolts(22).





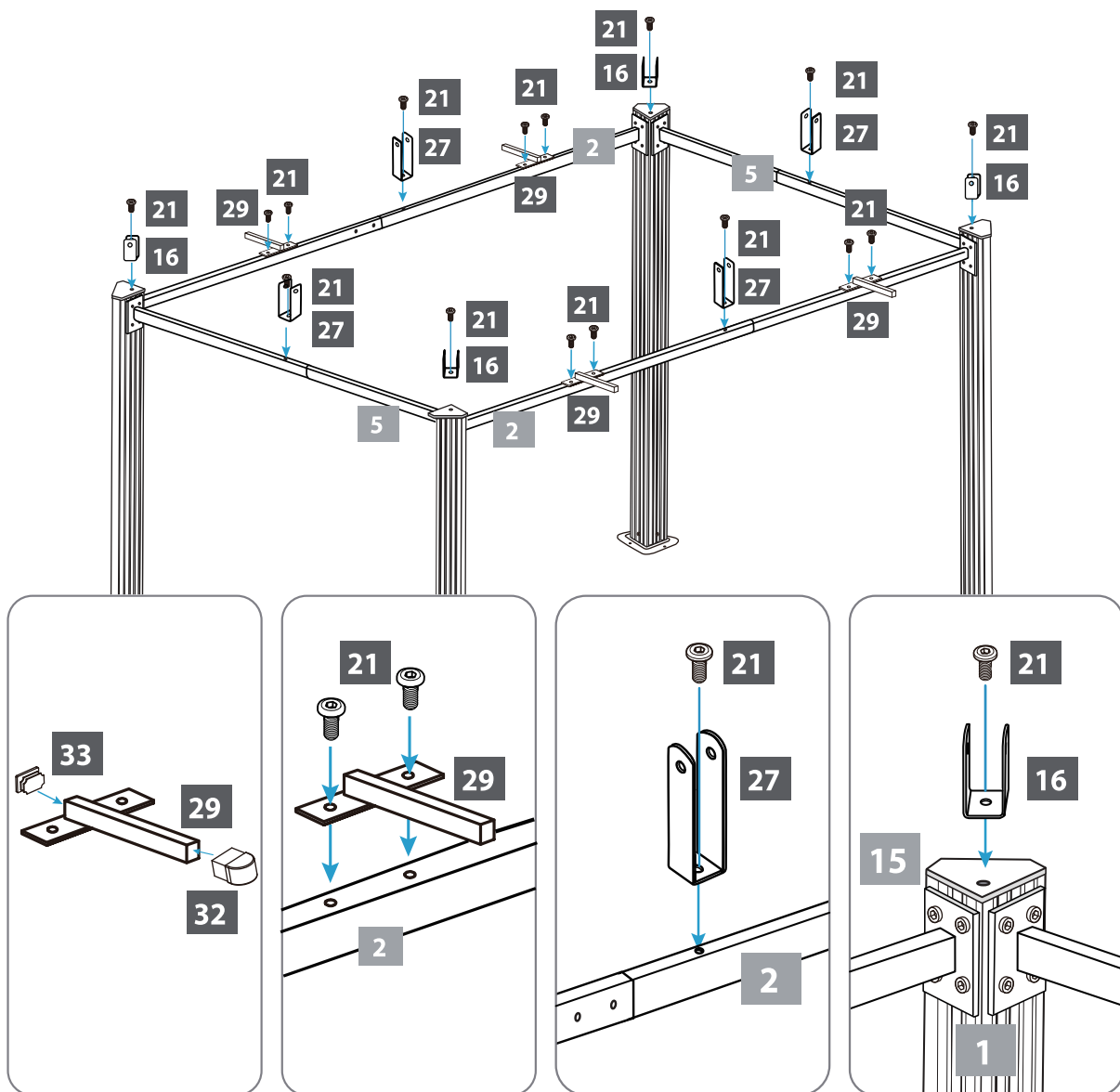
# STEP 4 Attaching the Roof Connectors to Roof and Corner Profiles



## 4.A

Attach roof connectors(16) to corner profile covers(15) and roof profiles(2) and (4) as shown. Insert Plastic cap(32,33) into canopy support(29) as shown. Fasten with bolts(21). Attach canopy supports(29) to roof profiles(2) facing outward as shown. Fasten with bolts(21).

Components			
			Bolt (21) x 16
Canopy Support (29) x 4	Roof Connector (16) x 4		Roof Connector (27) x 4
Plastic Cap(32) x 4	Plastic Cap(33) x 4		



**IMPORTANT:** After this step you should place the gazebo frame in its desired location. Make sure all corners are squared at 90 degrees.

# STEP 5 Attaching the Corner Roof Gables



**IMPORTANT:** The roof gable extension(11) has a small protrusion underneath which will snap into one of the holes in roof gable extension(9) while stretching the canopy.

## Components

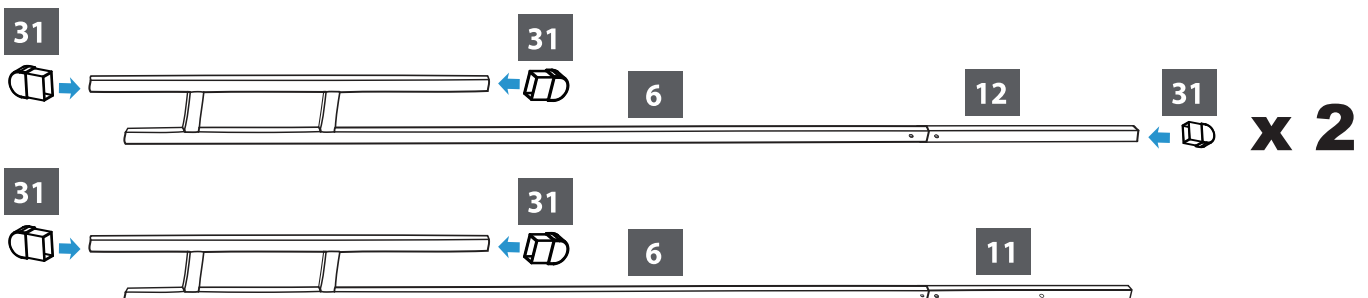
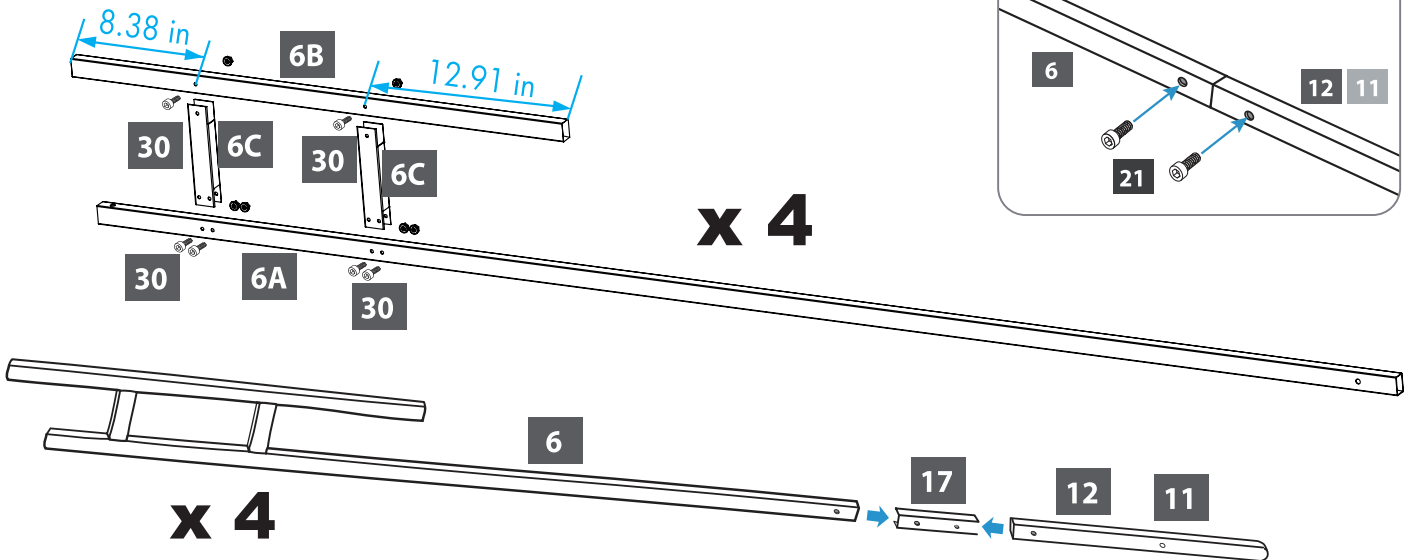
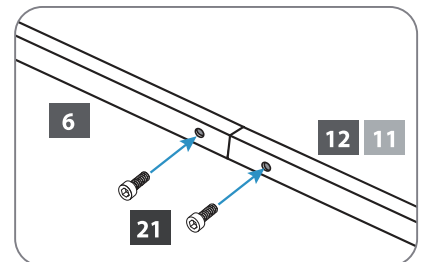
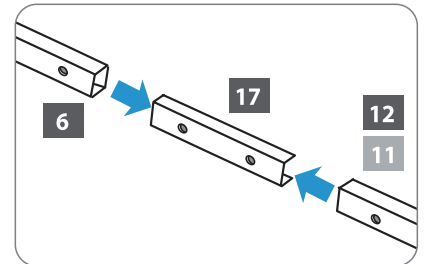
Top gable connector(13A)	Roof gable profile(6A)	(6B)	(6C)	Roof gable extension(11)	Roof gable connector(17)	Bolt(23)	
x 1	x 4	x 4	x 8	x 2	x 4	x 4	
Top gable connector(13B)	Roof gable extension(12)	Screw(30)	Plastic Cap(31)	Roof gable extension(9)	Screw(28)	Bolt(21)	Plastic Cap(32)
x 1	x 2	x 24	x 10	x 2	x 4	x 8	x 2

### 5.A

Assemble Roof Gable profile(6) with one 6A, one 6B and two 6C by screw(30) as shown.

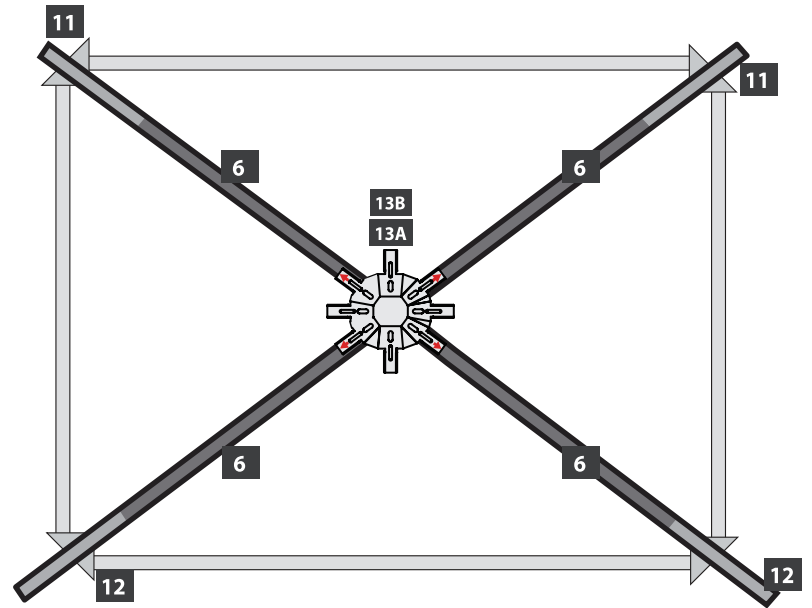
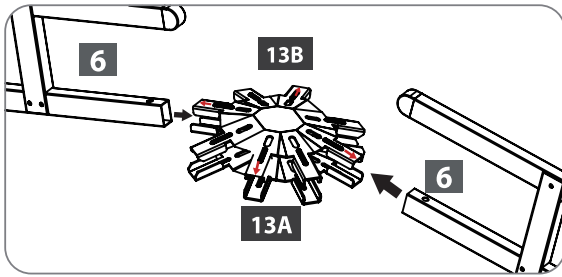
Insert roof gable connectors(17) into long end of roof gable profiles(6) and into two roof gable extensions(12) and one roof gable extension(11), align drill holes and fasten with bolts(21). Prepare four sets.

Insert one Plastic Cap(31) into Roof gable extension(12), and two each for Roof gable(6).

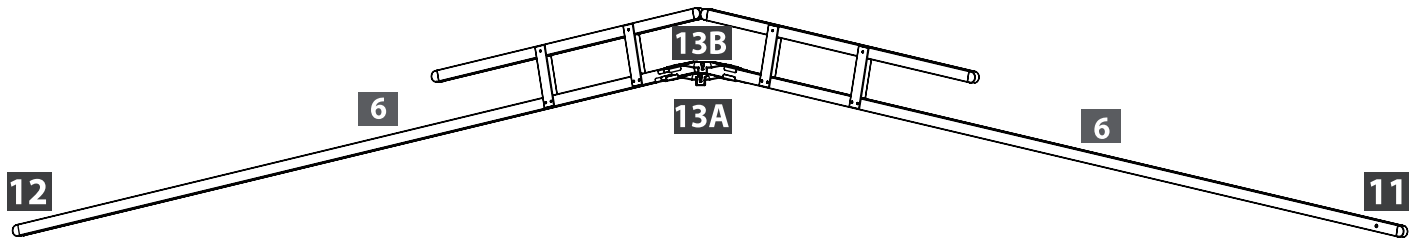


### 5.B

Connect one roof gable profiles assembly(6, 12) and one roof gable profiles assembly(6, 11) opposite each other to top gable connector(13A, 13B) by screw(28) as shown.

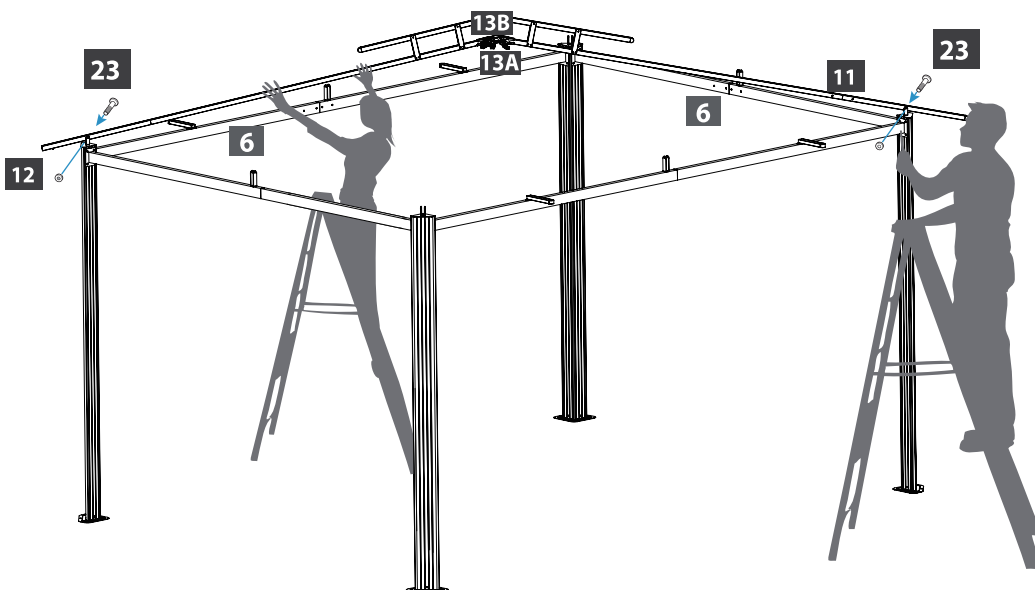
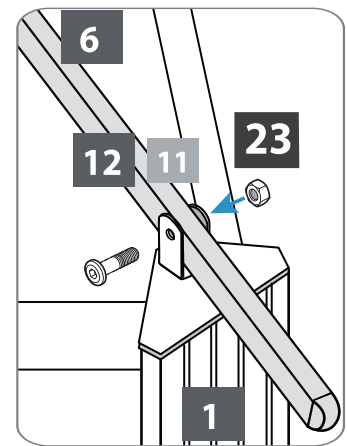


**ATTENTION:** The tunnels of top gable connector(13A, 13B) are market, in order to avoid mistakes when inserting the roof gable profiles.



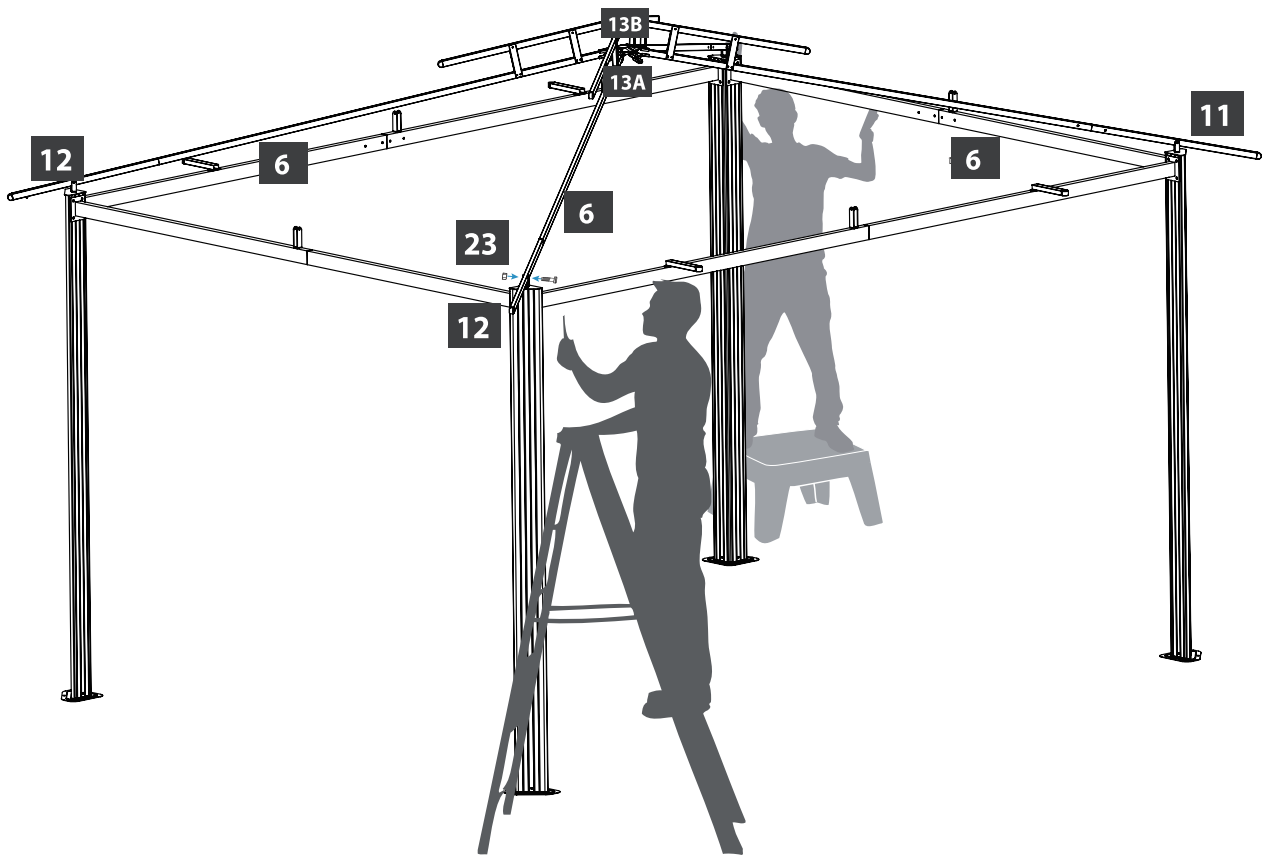
### 5.C

Using at least two people, connect roof gable profile assembly-(13A, 13B, 6, 12, 11) to roof connectors(16) on opposite corner profiles(1). Fasten with bolts(23) as shown.

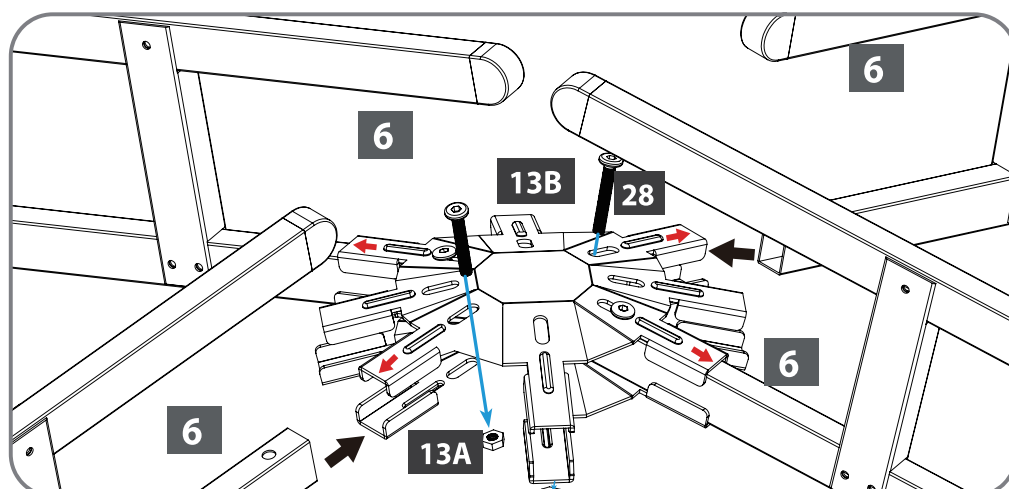


## 5.D

Using at least two people, slide the other two roof gable assemblies(6,12 - 6,11) into tunnels of top gable connector(13A,13B) with screw(28).

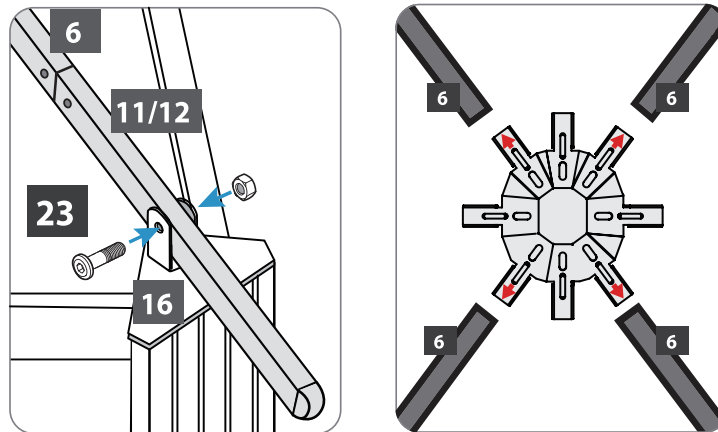


**ATTENTION:** The tunnels of top gable connector(13A,13B) marked, in order to avoid mistakes when inserting the roof gable profiles.



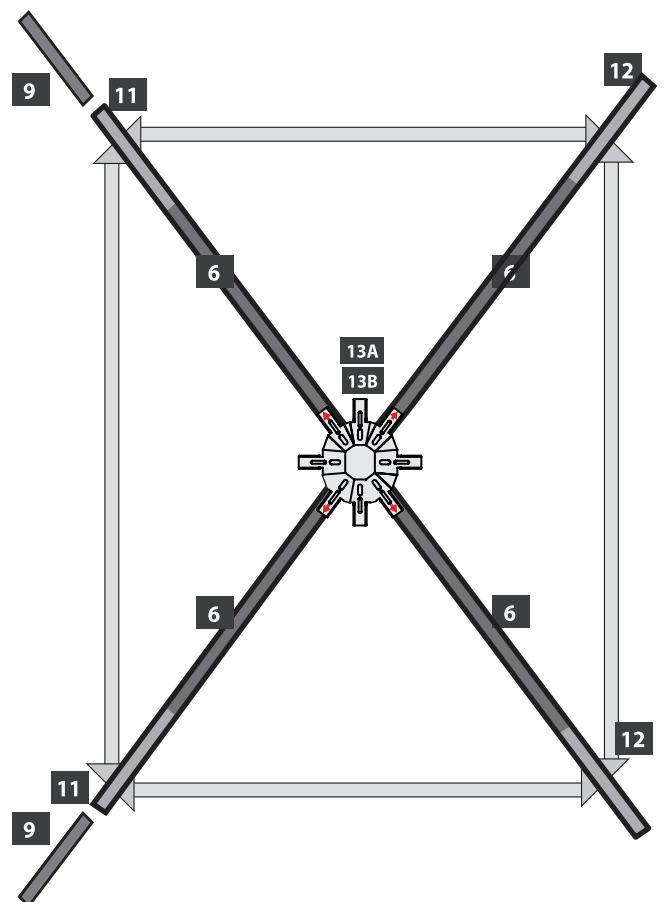
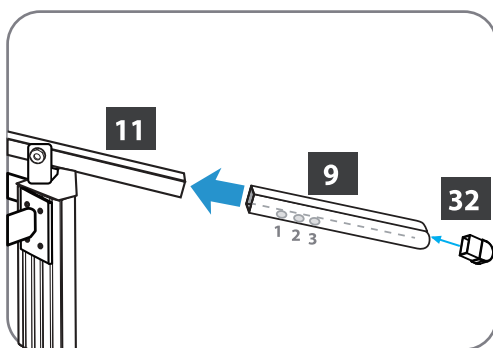
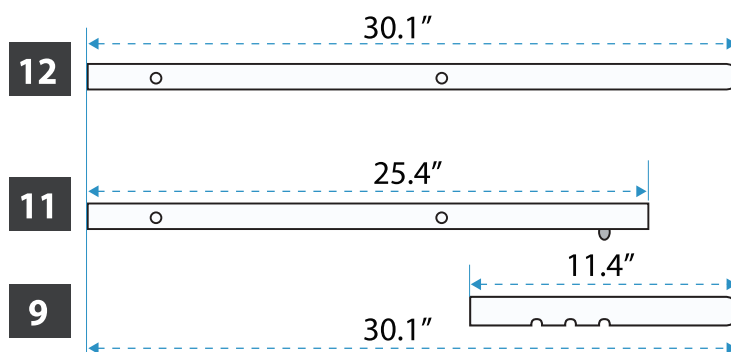
## 5.E

Connect the two roof gable profiles(6,12) and (6,11) to roof connectors(16) on opposite corner profiles(1). Fasten with bolts(23) as shown.



## 5.F

Insert Plastic cap(32) into roof gable extension(9) as shown. Slide roof gable extension(9) over roof gable extension(11) until the small protrusion on it's underside snaps into the third hole on the underside of roof gable extension(9).



NOTE: You will need to extend profile(9) outwards to stretch the roof canopy into its final position.

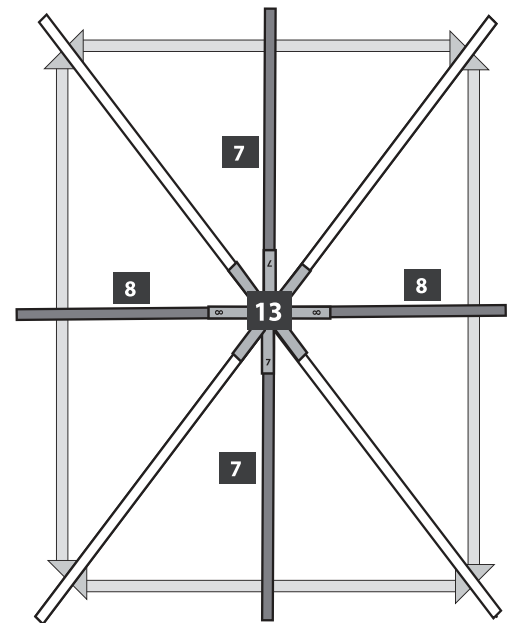
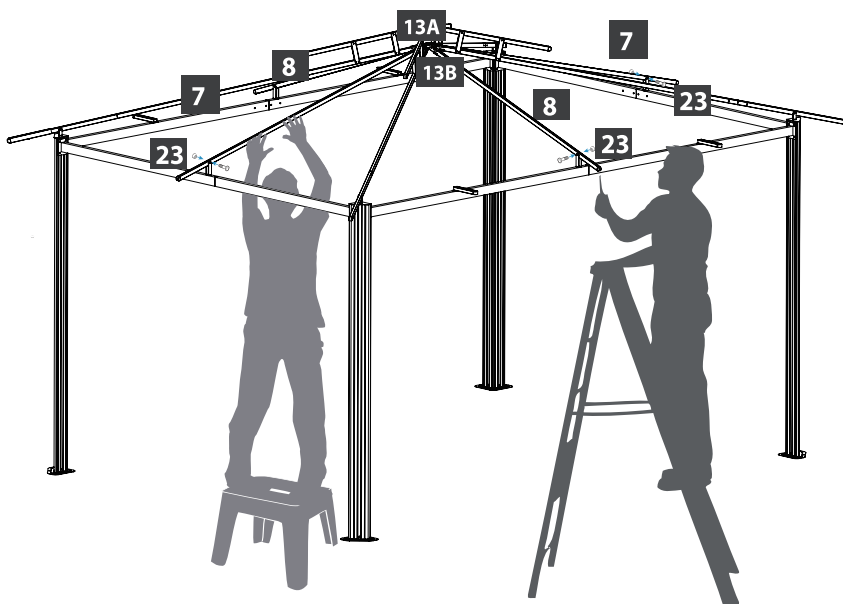
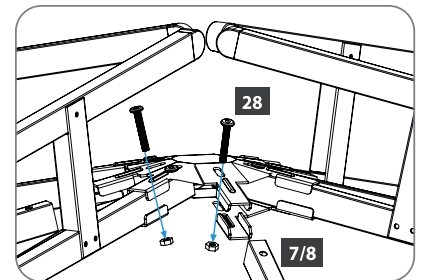
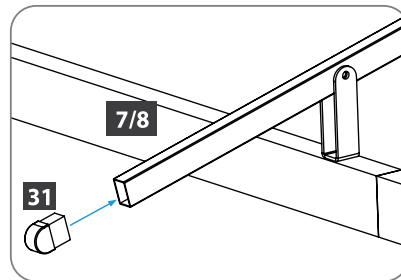
# STEP 6 Attaching the Center Roof Gables



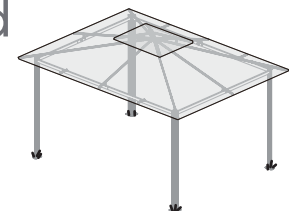
**IMPORTANT:** The roof gable profiles(7,8) have small protrusion(spring buttons) underneath. The end with the protrusions is connected to the gable connector(13A, 13B).

Insert Plastic cap(31) into roof gable profile(7,8) as shown.  
 Insert roof gable profiles(7) on short side of the gazebo into marked tunnels of top roof connector(13A, 13B) fasten with screw(28) as shown.  
 Repeat with roof gable profiles(8) on long side of the gazebo.

Components	
Roof gable profile (7) x 2	Roof gable profile (8) x 2
Plastic Cap(31) x 4	Bolt (23) x 4
	Screw(28) x 4



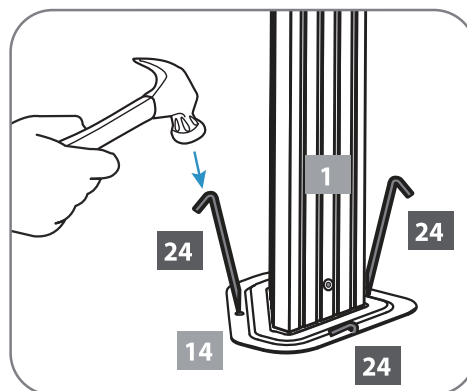
# STEP 7 Securing the Gazebo to the Ground



Fasten the gazebo frame to the ground, using three spikes(24) for each support plate.



**ATTENTION:** For special instructions how to secure the gazebo to a concrete floor or wood deck, please turn to page 17.

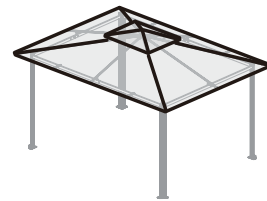


Components
Ground spike (24) x 12

## STEP 8 Placing the Canopy

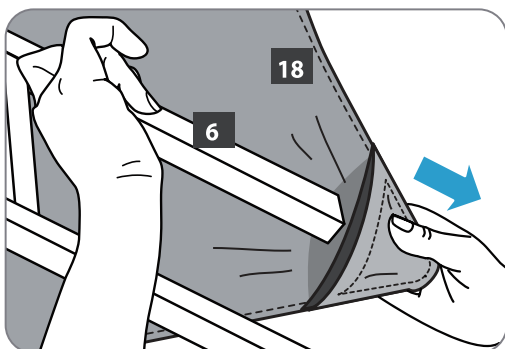


**WARNING!!** : When inserting the roof profiles into the fabric pockets of the canopy, you **MUST** use both hands holding the large piece of roof fabric in order to stretch it. Don't try to stretch it and pull it just by pulling the pockets! It will tear the pockets as Sunbrella fabric is not elastic by nature.



### 8.A

Place the upper fabric canopy(18) carefully over higher part of gable profiles(6), stretch and slide profiles into fabric pockets. Use **TWO** hands to pull the faabric backward until the profile slides firmly into the pocket.

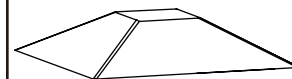


VIEW FROM BELOW

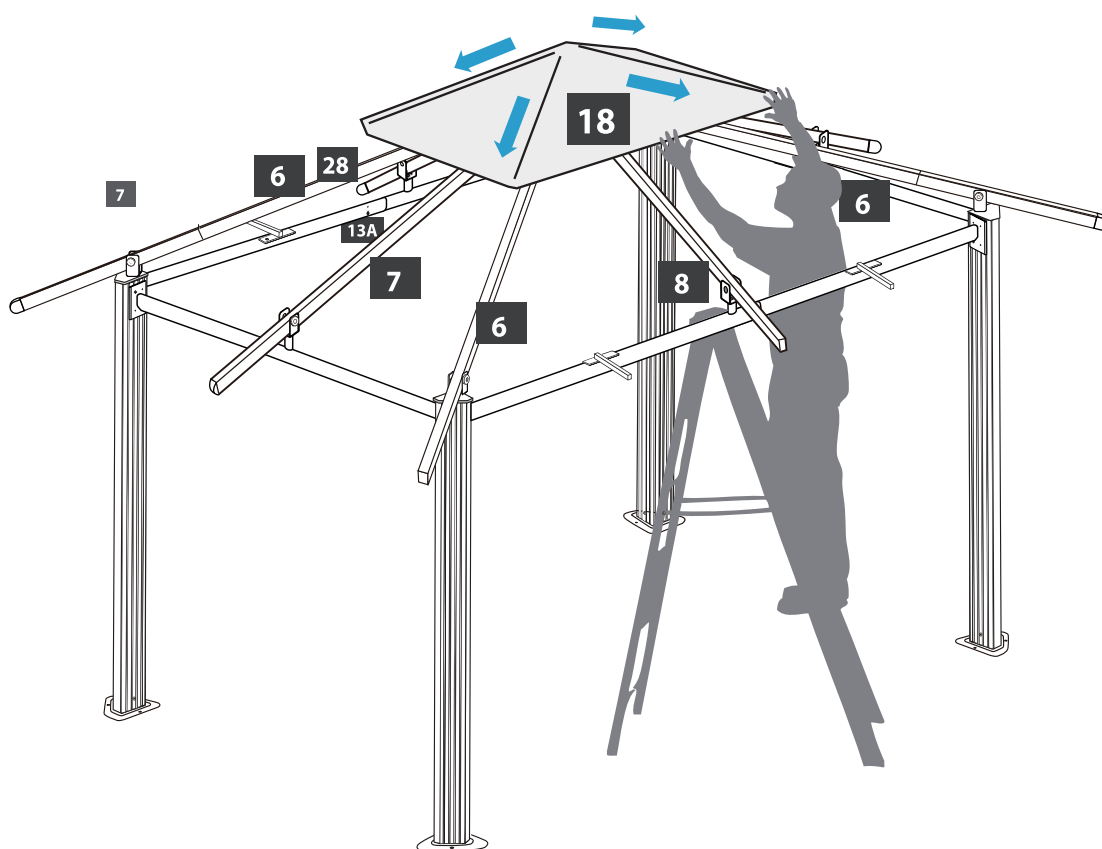
### Components



Fabric Canopy (18)  
x 1



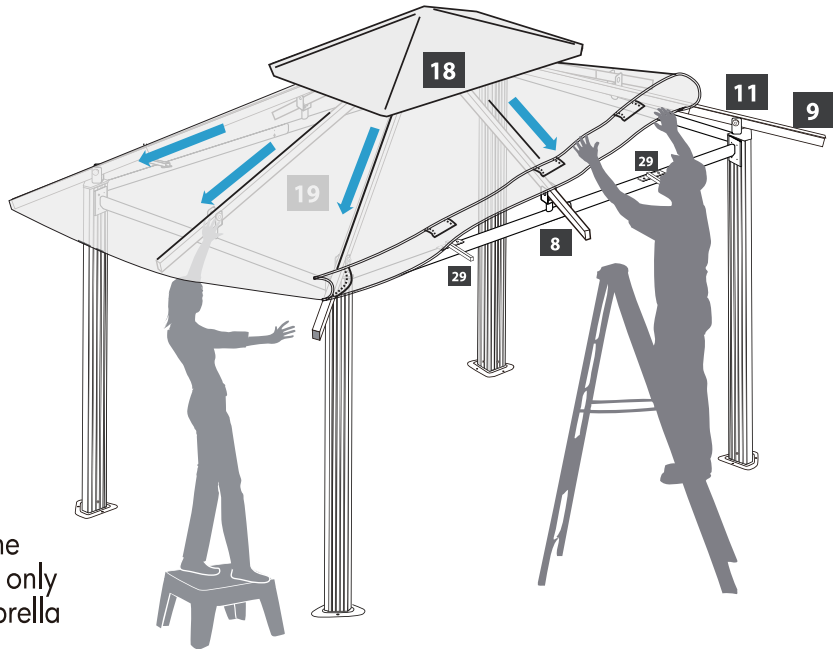
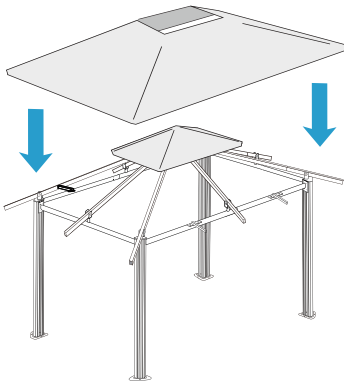
Fabric Canopy (19)  
x 1



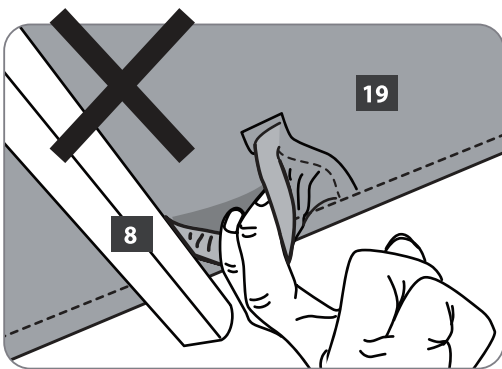


## 8.B

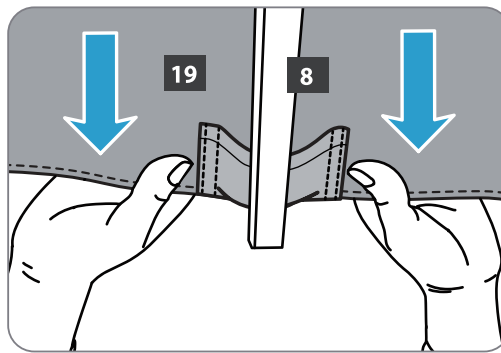
Using at least two people, place the large canopy (19) carefully over the small canopy (18) and three roof gable profiles (6+12) as shown. Stretch the canopy and slide profiles into fabric pockets in large canopy rim (19). Use TWO hands to pull the fabric backward until the roof profiles slide firmly into the pockets.



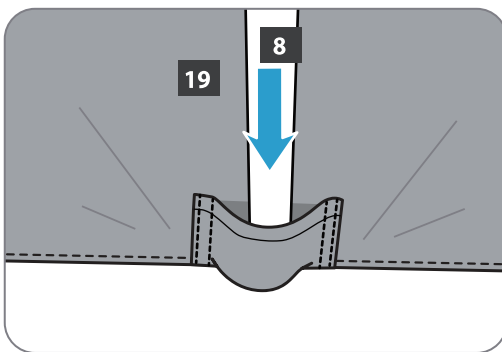
Do NOT try to stretch and pull the roof fabric by pulling the pocket only. This will tear the pocket, as Sunbrella fabric is not elastic by nature.



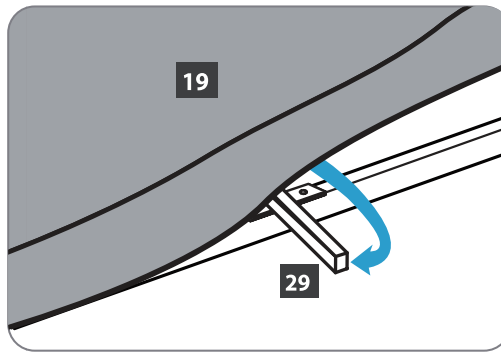
VIEW FROM BELOW



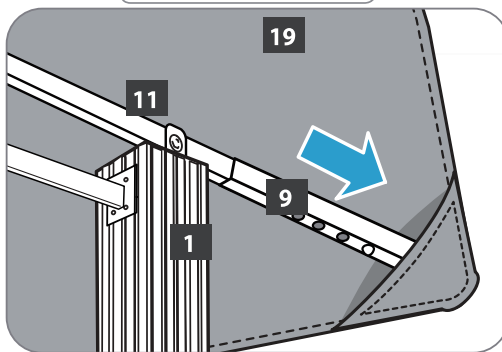
VIEW FROM BELOW



VIEW FROM BELOW



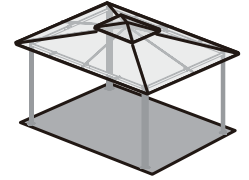
VIEW FROM TOP



VIEW FROM BELOW

To finish stretching the canopy, press the push button in extension profile (11) and extend extension profile (9) as far as possible to the outside until the push button snaps into place.


# Optional Securing the Gazebo to a Concrete Floor or Wood Deck



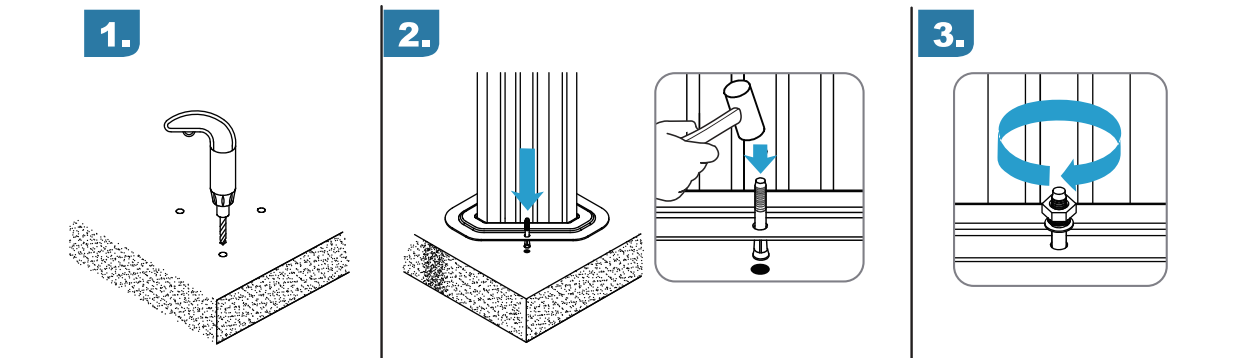
## Concrete Floor:

1. Drill holes approx. 3.00 inches deep and use a mallet to set up.
2. 3/8" masonry drill bit to drill holes for the concrete anchors supplied.
3. Using a concrete drill, drill holes into the concrete floor, corresponding to the holes in support plates (3).
4. Insert concrete bolts (40) into the holes and hammer into place, using a mallet.
5. Fasten concrete bolts with washers and nuts.

Components



Concrete bolts, washers and nuts (40)  
x 12



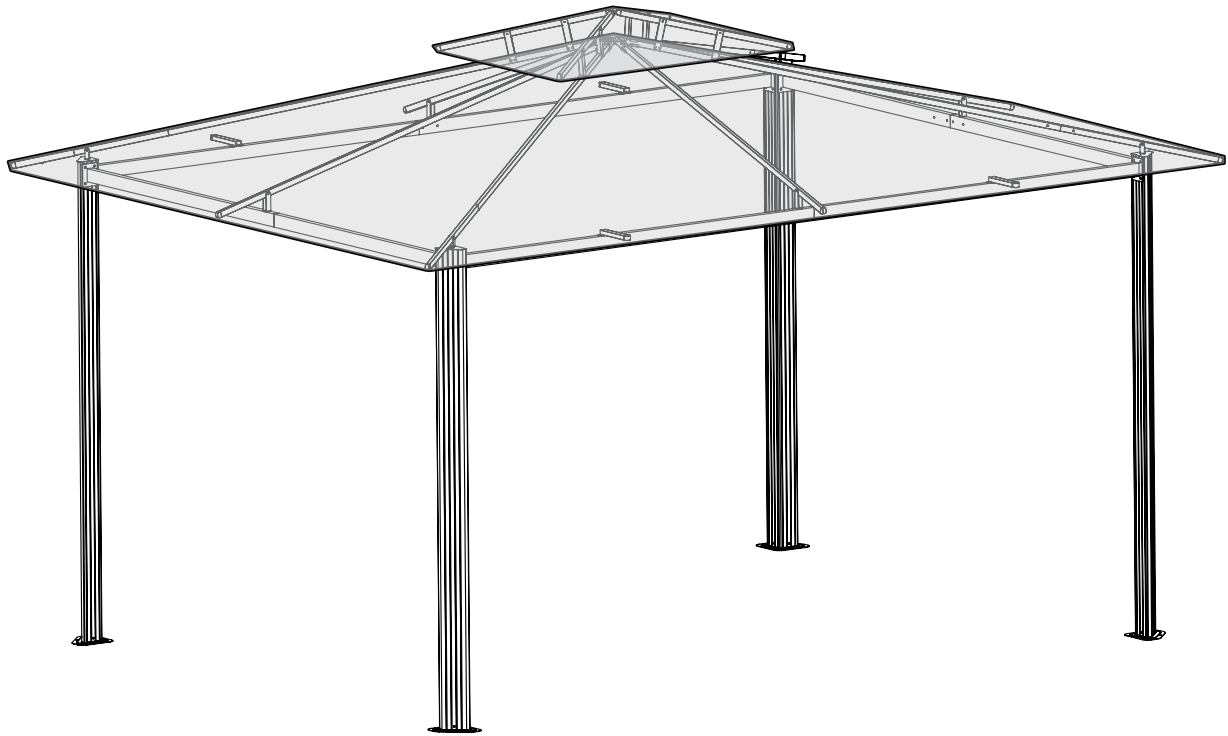
## Wood Deck:

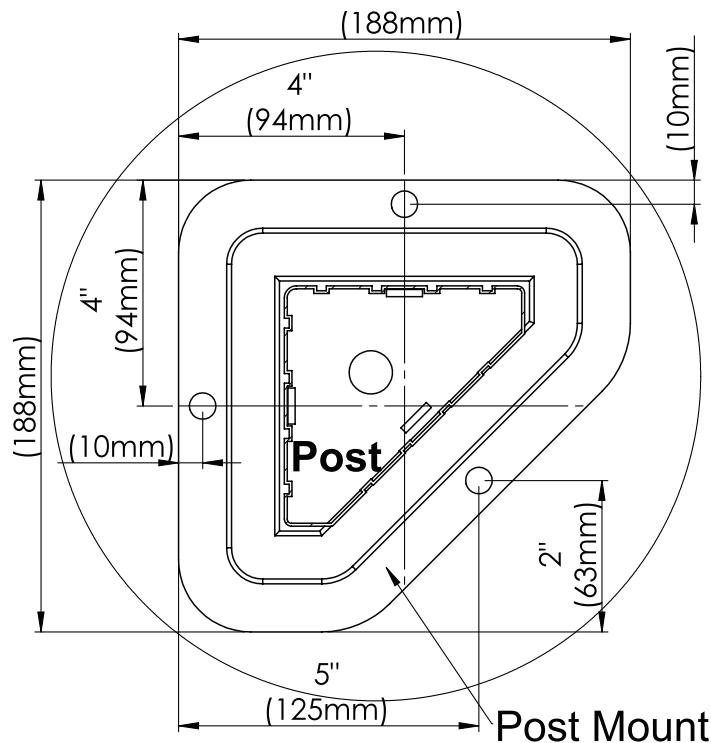
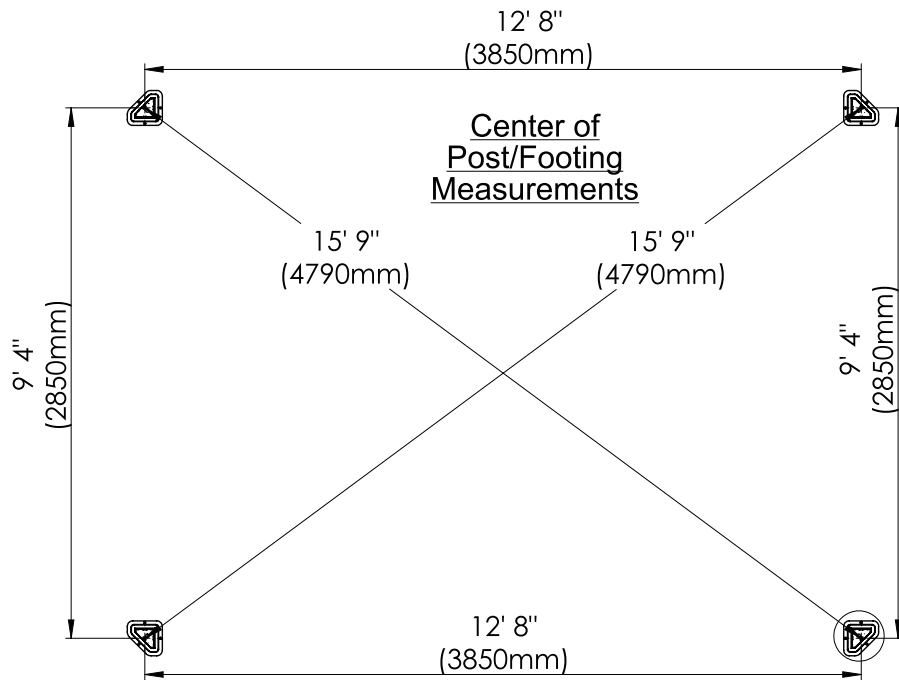
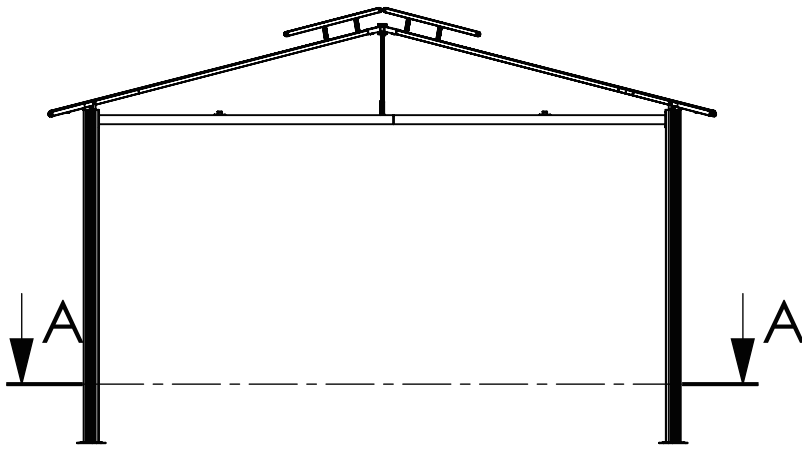
1. Using an electric wood drill, drill holes into the wood floor, corresponding to the holes in support plates (2).  
corresponding to the holes in support plates (3).
2. Insert wood screws with washers (not supplied) into the holes and fasten, using an electric screw driver.



Wood Bolts, washers X 12  
**NOT SUPPLIED**  
to be purchased by user

Enjoy your completed Gazebo!





**Post Detail**

# Gazebo GZ584

## Assembly Instructions



⚠ **WARNING:** Cancer and Reproductive Harm-  
[www.P65Warnings.ca.gov](http://www.P65Warnings.ca.gov).

⚠ **AVERTISSEMENT:** Cancer et Troubles de l' appareil reproducteur-  
[www.P65Warnings.ca.gov](http://www.P65Warnings.ca.gov).

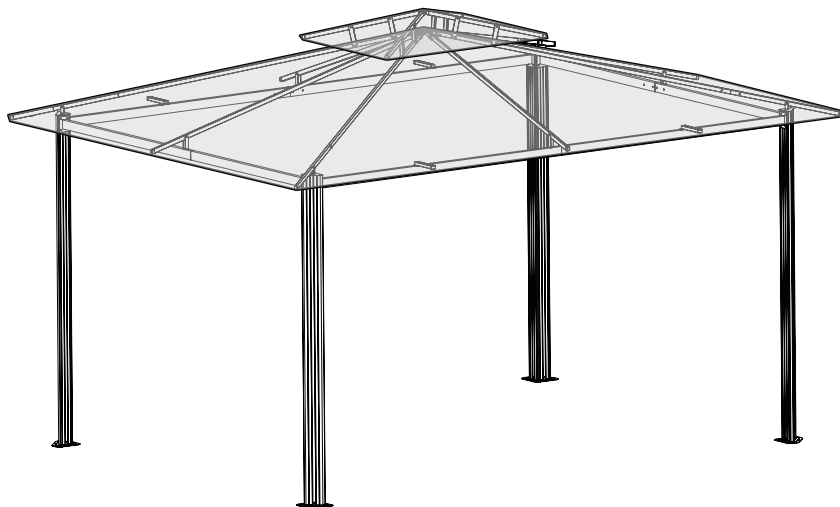
⚠ **ADVERTENCIA:** Cáncer y Daño Reproductivo-  
[www.P65Warnings.ca.gov](http://www.P65Warnings.ca.gov).

### WARRANTY:

Warranty covers damage due to manufacturing defects only for a period of 5 years on the structure, 5 years on the SUNBRELLA roof/-canopy and/or 2 years on the Polyester roof/canopy from date of purchase. Warranty does not cover weather inflicted damage and/or damages causes caused by not following assembly instructions and adhering to warnings in manual. Warranty does not cover user error, negligence, or misuse.

### WARNING:

In order to prevent possible damage to fabric and/or structure, fabric roof should be removed before wind storms, or major inclement weather events.



Paragon Group USA

Customer Service: (877) 782 4482 Email: [cs-outdoors@paragongroupusa.com](mailto:cs-outdoors@paragongroupusa.com)