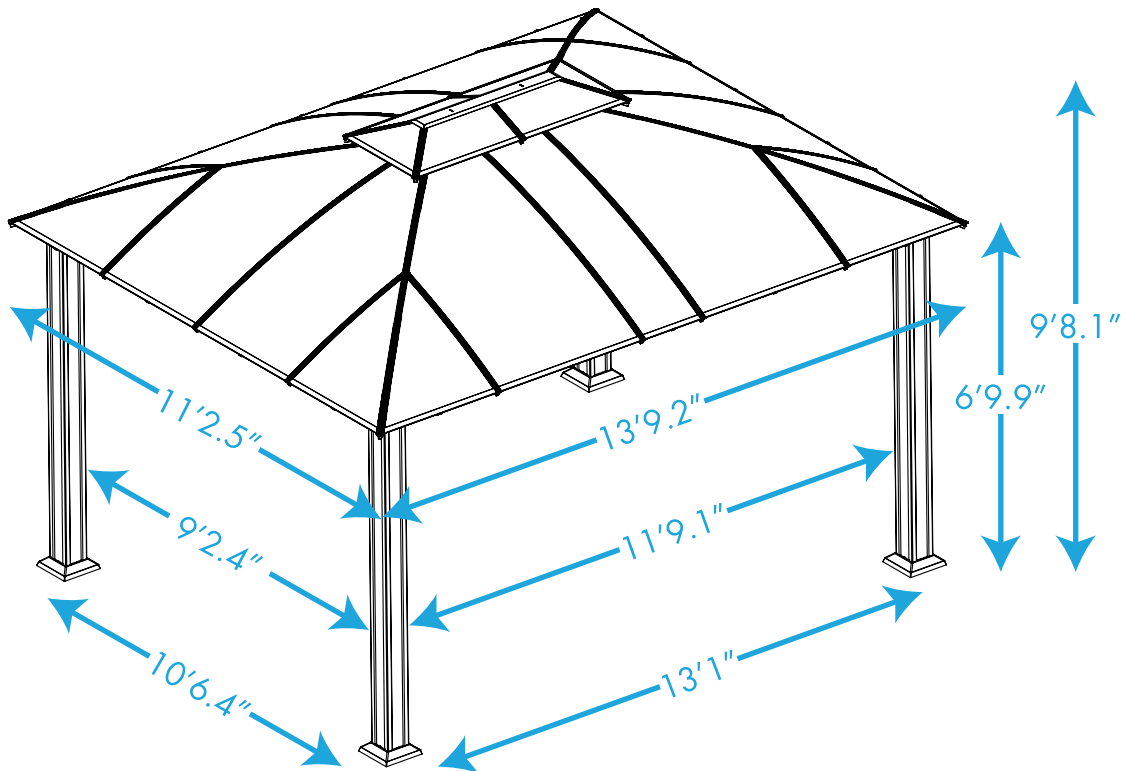




Gazebo GZH4-1214BKD

Aluminium Composite Roof Panels

Assembly Instructions

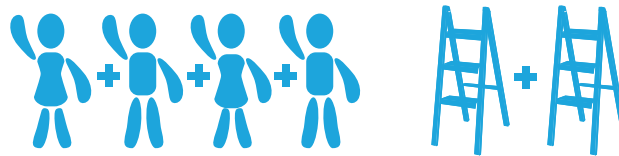


@paragonoutdoorcompany

Paragon Group USA

Customer Service: (877) 782 4482 Email: cs-outdoors@paragongroupusa.com

Introduction



Thank you for purchasing the Gazebo GZH4-1214BKD.

When properly assembled and maintained, this gazebo will provide many years of enjoyment!

These instructions include helpful hints and important information needed to safely assemble and properly maintain the gazebo. Please read these instructions completely before you begin.

Our patented gazebo has been designed for easy assembly. All steps can be completed by a team of four people. The assembly should take about two hours.

Before Starting Assembly:

CAREFULLY READ ALL THE INSTRUCTIONS BEFORE YOU BEGIN AND FOLLOW THE STEPS IN THE ORDER THEY ARE PRESENTED.

1. Make sure you have all the necessary parts:

Compare the contents of all cartons to the List of Parts. If any parts are missing or damaged, or you have any questions, please contact Customer service: (877)782 4482 before beginning assembly.

2. Lay the parts out in separate staging areas:

The List of Parts has the corresponding step number referenced to each part. We recommend that while you go through the list, make staging areas for each step and place the parts necessary for each step in these areas. This will save you time and effort during assembly.

3. Select a Location:

When selecting a location for your gazebo, a flat level area is essential and if possible with proper water drainage and easy access to power and water, if necessary.

Choose a sunny, level position away from overhanging trees and power lines and protected from the wind as much as possible. Locate underground pipes or cables before preparing the site or anchoring the gazebo.

Note: You may assemble the gazebo on a hard level surface and move it to its final location when finished. Make sure that there are no obstacles between the assembly area and the final position.

4. Prepare a Foundation:

After choosing a location, proper preparation of the site is recommended. The site must be level.

If the site is not level, create a base slightly larger than the outside dimensions of the gazebo using a perimeter of two by fours filled with either soil, sod or gravel.

Make sure the base is square by measuring the diagonals from both directions and making sure they are equal. The gazebo is secured with pegs into holes cast with concrete.

If you decide to have a concrete base, it is best to contact a reliable contractor to make sure it is flat and level. Make sure you have checked with your local authorities regarding any required building permits.

5. Make sure you have the proper tools:

- Tape Measure
- Work Gloves
- Safety goggles
- Phillips Screwdriver
- Spirit Level
- 3/8" masonry drill bit to drill holes for the concrete anchors supplied.
- 2 Small Step Ladders
- Wooden Mallet
- Scissors and knife
- Liquid soap or WD40 Lubricant
- Hex Key

NOTE: A cordless drill with Phillips head bit is highly recommended but not essential.

Safety Advice

- The gazebo must be positioned and fixed on a flat level surface.
- Dispose of all plastic bags safely. Keep them out of the reach of children.
- Keep children and pets away from the assembly area until the work is completed.
- Always wear shoes, gloves and safety goggles when working.
- Take special care not to touch overhead power lines with the aluminium profiles.
- Do not attempt to assemble the gazebo in windy or wet conditions.
- Do not position your gazebo in an area exposed to excessive wind.
- If using power tools or a ladder, always follow the manufacturers safety instructions.
- Hot items such as recently used grills, blowtorches etc. must not be stored in the gazebo.
- Make sure the gazebo complies with local building codes.



ATTENTION: DO NOT ATTEMPT TO ASSEMBLE THE GAZEBO ALONE!

Table of Contents

Introduction.....	2
Table of Contents.....	3
List of Parts.....	4
Step 1 : Assembling the Corner Profiles	7
Step 2 : Assembling the Rails.....	9
Step 3 : Assembling the Rails to the Corner Profiles.....	11
Step 4 : Secure the Gazebo to the ground	13
Step 5 : Installing the Lower Roof gable Profiles	14
Step 6 : Installing the Horizontal Roof Profiles.....	22
Step 7 : Installing the Roof Panels and Upper Roof Profiles.....	23
Step 8 : Installing the Plastic Caps	29

General Order of Assembly

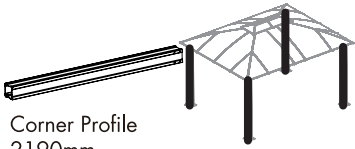
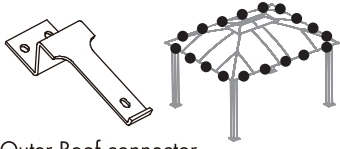
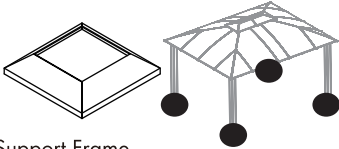
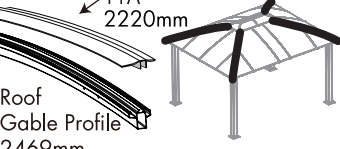
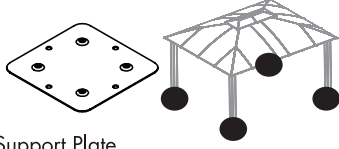
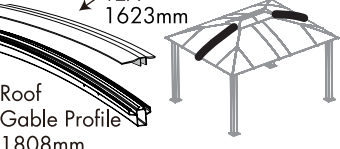
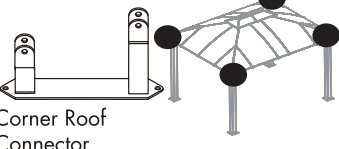
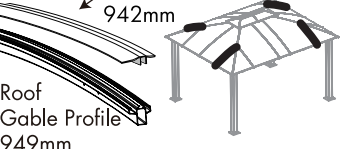
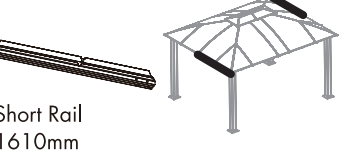
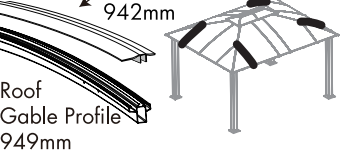
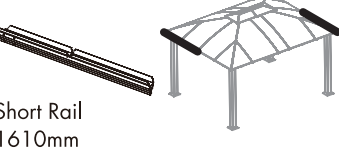
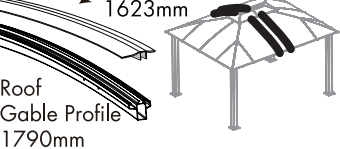

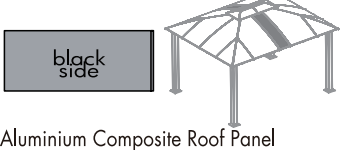
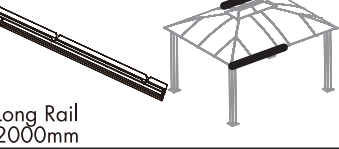
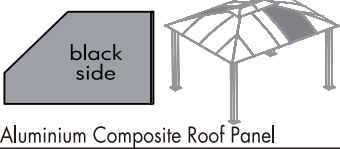
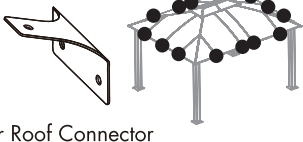

- Step 1** : Assembling the Corner Profiles
- Step 2** : Assembling the Rails
- Step 3** : Assembling the Rails to the Corner Profiles
- Step 4** : Secure the Gazebo to the ground
- Step 5** : Installing the Lower Roof gable Profiles
- Step 6** : Installing the Horizontal Roof Profiles
- Step 7** : Installing the Roof Panels and
Upper Roof Profiles
- Step 8** : Installing the Plastic Caps

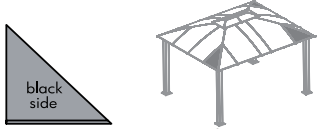

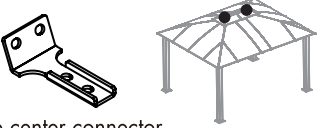

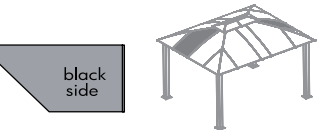
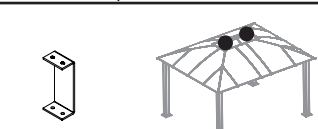
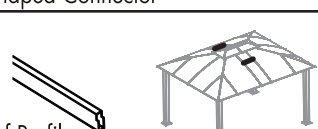
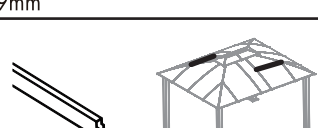
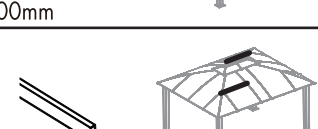
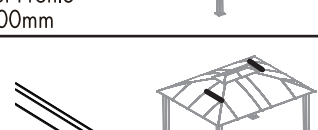
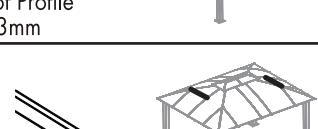
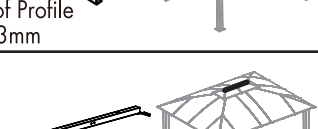


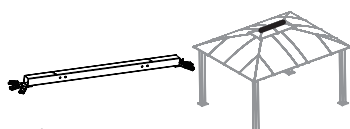
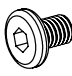
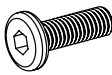
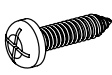
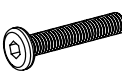
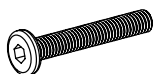
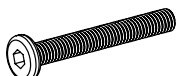
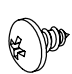


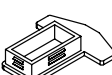
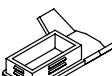
List of Parts




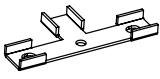
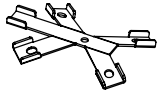





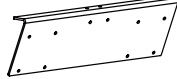
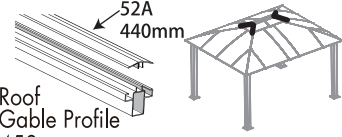
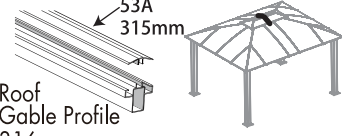
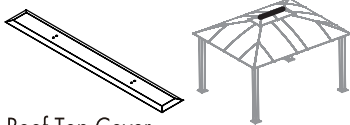
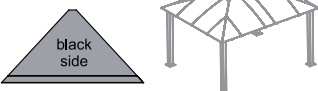
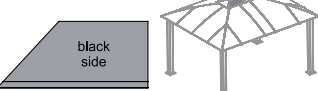
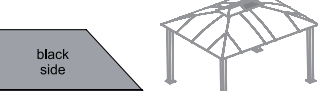
The gazebo is shipped in five cartons. These cartons are heavy. Be careful when lifting them. Wear proper safety gear including work shoes, gloves and goggles. The parts are identified by removable sticks. Place all the parts for each step in staging areas, checking that you have all parts as you go. If any parts are missing or damaged, contact customer service before beginning assembly:
 Customer Service:(877) 782 4482 Email:cs-outdoors@paragongroupusa.com

No.	Profile	Qty	Step	Box	No.	Profile	Qty	Step	Box
1	 Corner Profile 2190mm	4	1	2	10	 Outer Roof connector	18	2	3
2	 Support Frame	4	1	3	11	 Roof Gable Profile 2469mm	4 4	5,7	1
3	 Support Plate	4	1	3	12	 Roof Gable Profile 1808mm	2 2	5,7	1
4	 Corner Roof Connector	4	1	3	13	 Roof Gable Profile 949mm	4 4	5,7	1 2
5	 Short Rail 1610mm	2	2	2	14	 Roof Gable Profile 949mm	4 4	5,7	1 2
6	 Short Rail 1610mm	2	2	2	15	 Roof Gable Profile 1790mm	4 4	5,7	1
7	 Long Rail 2000mm	2	2	1	16	 Aluminium Composite Roof Panel	2	7	4
8	 Long Rail 2000mm	2	2	1	17	 Aluminium Composite Roof Panel	2	7	4
9	 Inner Roof Connector	14	2	3	18	 Aluminium Composite Roof Panel	2	7	4

No.	Profile	Qty	Step	Box
19	 Aluminium Composite Roof Panel	4	7	5
20	 Aluminium Composite Roof Panel	4	7	5
20A	 Top center connector	2	5	3
21	 Aluminium Composite Roof Panel	2	7	5
22	 Aluminium Composite Roof Panel	2	7	5
23	 U-shaped Connector	2	5	3
24	 Roof Profile 409mm	2	6	2
25	 Roof Profile 1000mm	2	6	2
26	 Roof Profile 1000mm	2	6	2
27	 Roof Profile 823mm	2	6	2
28	 Roof Profile 823mm	2	6	2
29	 Roof Top Connector Beam	1	5	3

No.	Profile	Qty	Step	Box
30	 Roof Top Connector Beam	1	5	3
31	 Screw M6x8mm	32	2,5	3
32	 Screw M6x18mm	180	2,3,5,6	3
33	 Screw M6x25mm	32	1,6	3
34	 Screw M6x33mm	8	5	3
35	 Screw M6x38mm	86	5,7	3
36	 Screw M6x45mm	8	5	3
37	 Screw M4x8mm	18	7	3
38	 Nut M6	14	5	3
39	 Plastic Cap #3	32	3	3
40	 Plastic Cap #1	16	5,8	3
41	 Plastic Cap #2	8	5,8	3

No.	Profile	Qty	Step	Box
43	 Concrete Bolts, washers M8x70mm	16	4	3
44	 Spamer Magnetic hex key	1		3
45	 Hook	1	6	3
46	 T - connector	6	5	3
47	 X - connector	4	5	3
48	 Top center connector	4	5	3
49	 Corner Cap	4	6	3
50	 Screw M6x55mm	6	5	3

No.	Profile	Qty	Step	Box
51	 Rail connector	4	2	3
52	 Roof Gable Profile 450mm	4	5	3
		4		
53	 Roof Gable Profile 316mm	2	5	3
		2		
54	 Roof Top Cover	1	5	3
55	 Aluminium Composite Roof Panel	2	5	3
61	 Aluminium Composite Roof Panel	2	5	3
62	 Aluminium Composite Roof Panel	2	5	3

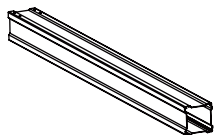
We included some extra screws and bolts for your convenience.

STEP 1 Assembling the Corner Profiles

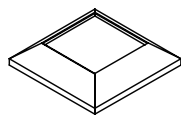


Place all the parts on a level surface.
Make sure the pieces are in the correct positions before assembling.
Carefully follow the order of assembly to ensure an easy installation.
Wear proper safety gear including work shoes, gloves and goggles.

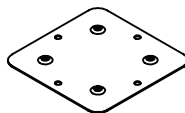
Components



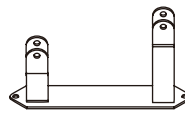
Corner profile (1)
x 4



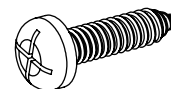
Support frame (2)
x 4



Support plate (3)
x 4



Corner roof connector (4)
x 4

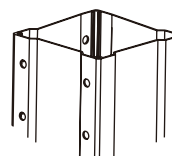


Screw (33)
x 24



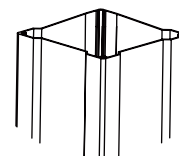
ATTENTION: The corner profile (1) has two screw holes to connect it to the corner roof connector (4) and 8 pre-drilled screw holes to attach rails (5,6) in step 3 at its top end. It has two screw holes to connect it to the support plate (3) at its bottom end.

1



Top end

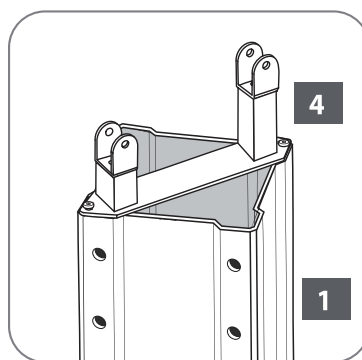
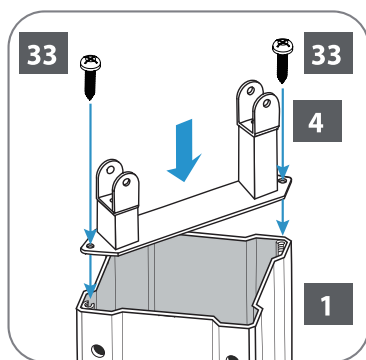
1



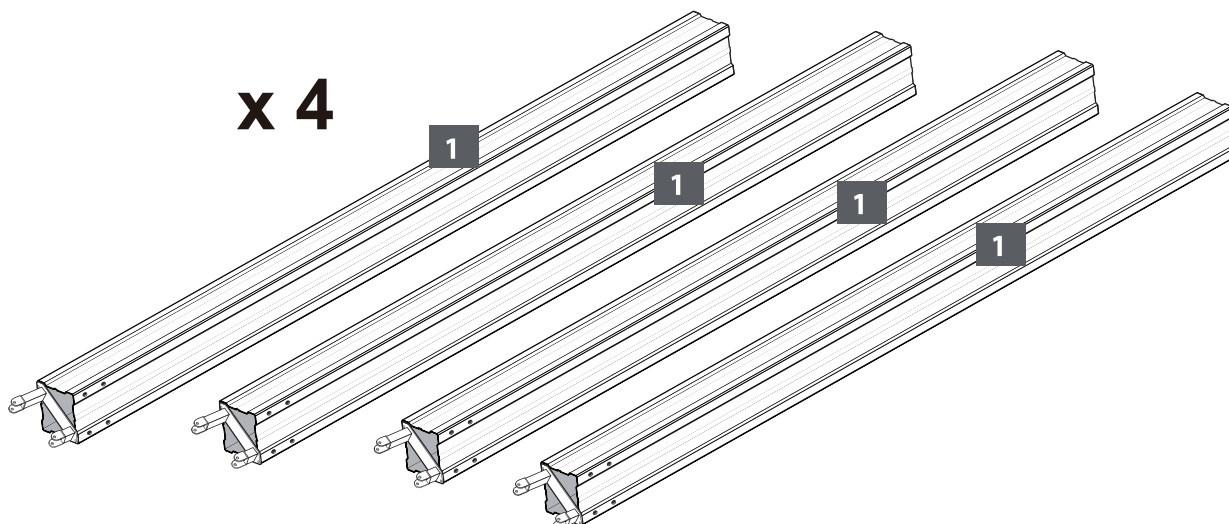
Bottom end

1.A

Place corner profiles (1) parallel to each other on the ground. Attach one corner roof connector (4) to each top end as shown and fasten with screws (33).



x 4

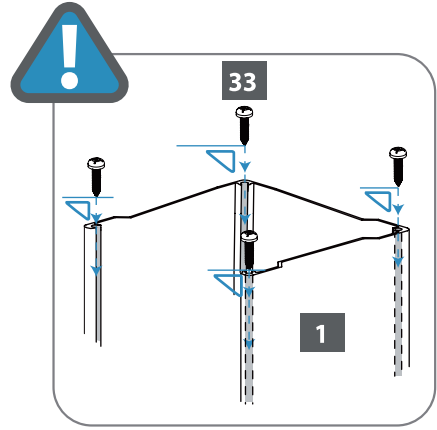
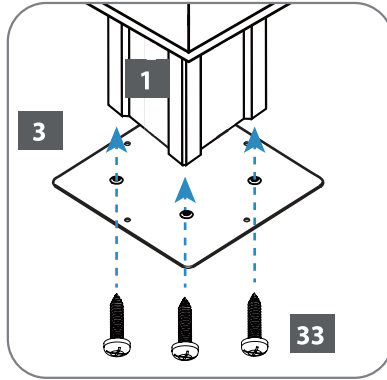
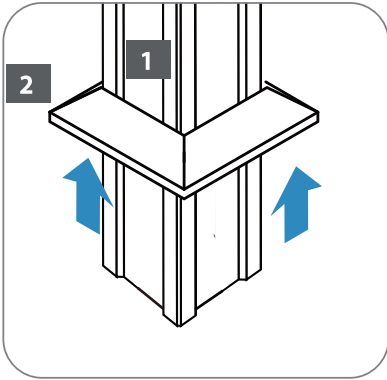




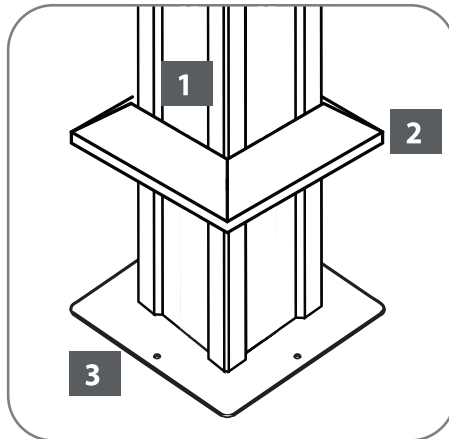
ATTENTION: Note: Do not need to assemble support frame (2) if you purchased the screen netting.

1.B

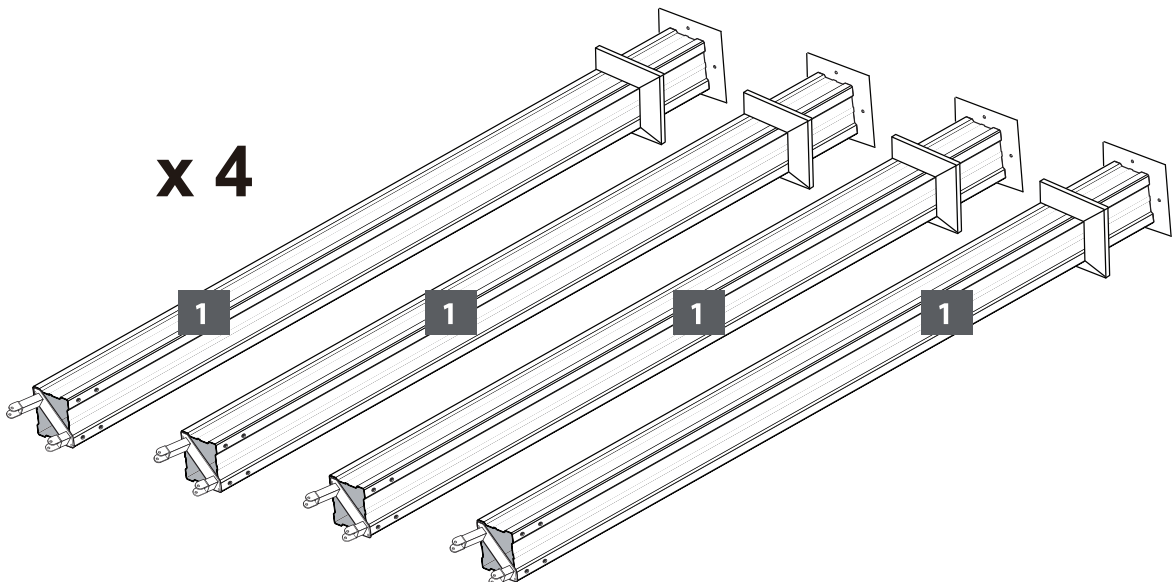
Slide support frames (2) over lower end of corner profiles (1).
Attach support plates (3) to corner profiles (1) as shown, using screws (33) for each plate.



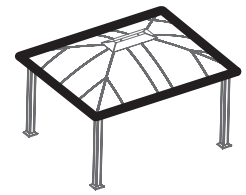
Leave support frames (2) about 10" over lower end of corner profiles (1) until step 4.
(Secure the gazebo to the ground)



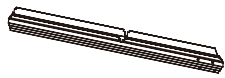
x 4



STEP 2 Assembling the Rails



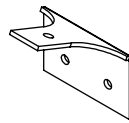
Components



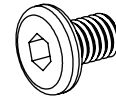
Short Rail (5)
x 2



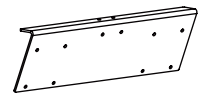
Short Rail (6)
x 2



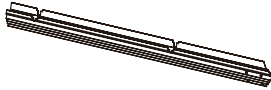
Inner Roof Connector (9)
x 14



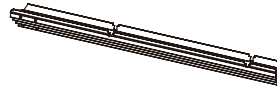
Screw (31)
x 32



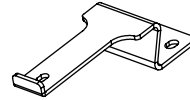
Rail connector (51)
x 4



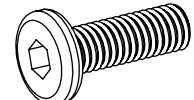
Long Rail (7)
x 2



Long Rail (8)
x 2



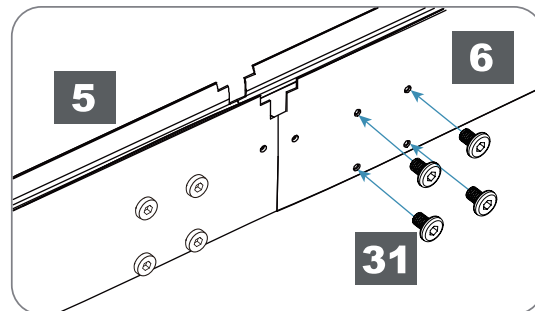
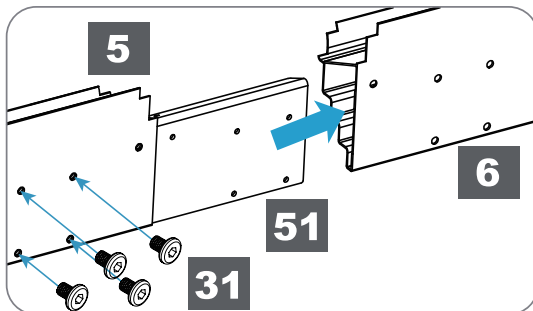
Outer Roof Connector (10)
x 18



Screw (32)
x 64

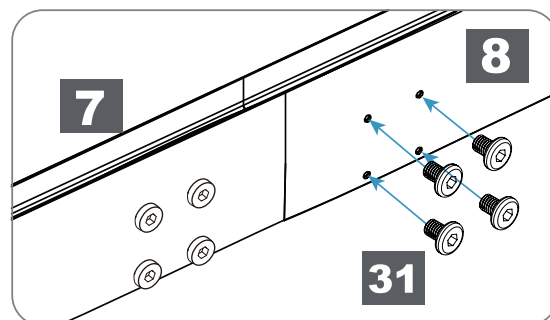
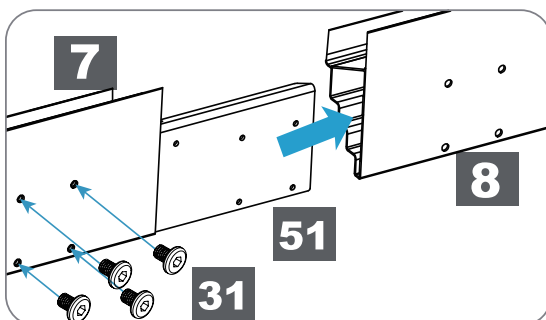
2.A

Insert rail connector (51) into blunt end of short rail (5) secured with screws (31).
Insert long rail (5,51) into blunt end of short rail (6) secured with screws (31).
Repeat to create two sets of short rails.



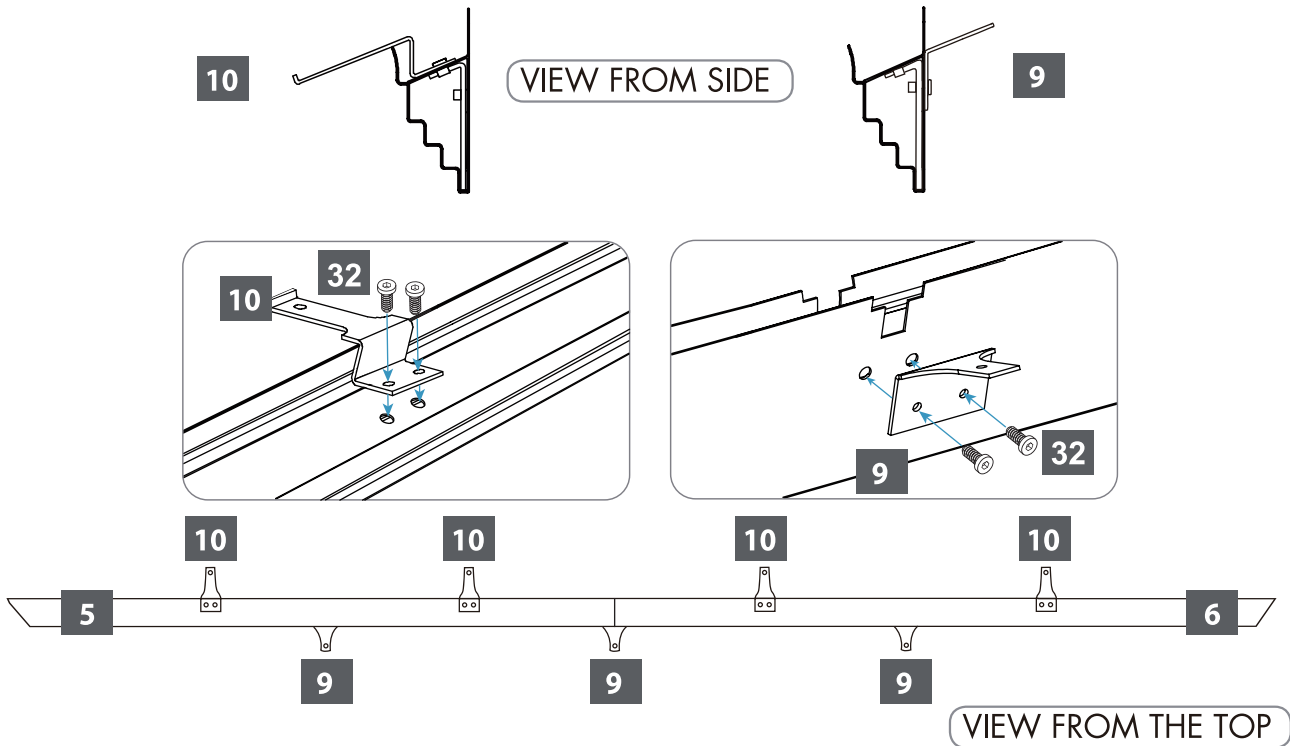
2.B

Insert rail connector (51) into blunt end of long rail (7) secured with screws (31).
Insert long rail (7,51) into blunt end of long rail (8) secured with screws (31) as shown.
Repeat to create two sets of long rails.



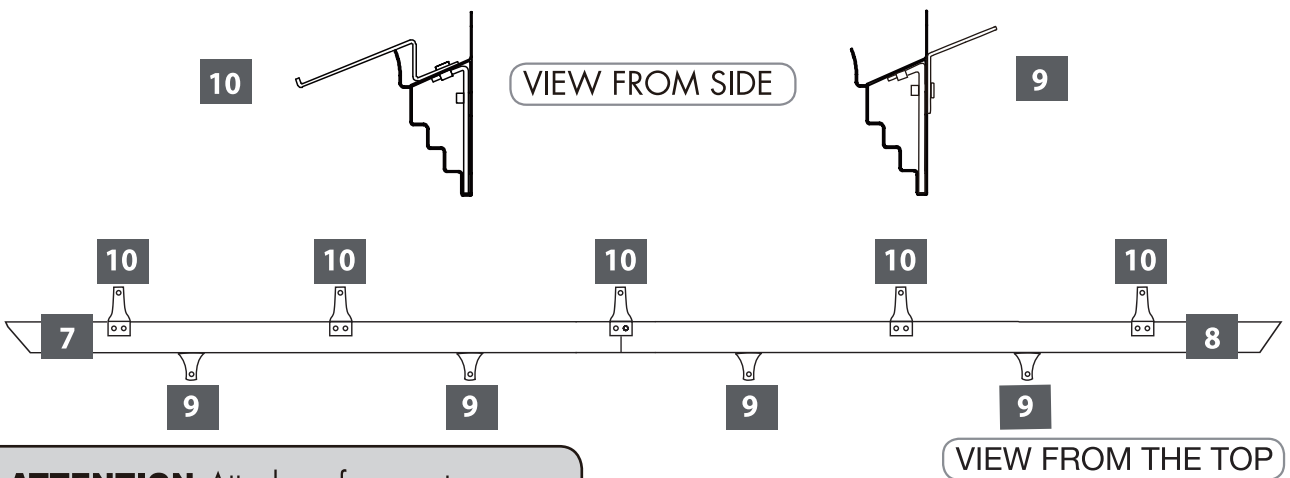
2.C

Attach four outer roof connectors (10) and three inner roof connectors (9) to each short rail set (5+6) at pre-drilled screw holes, using screws (32).

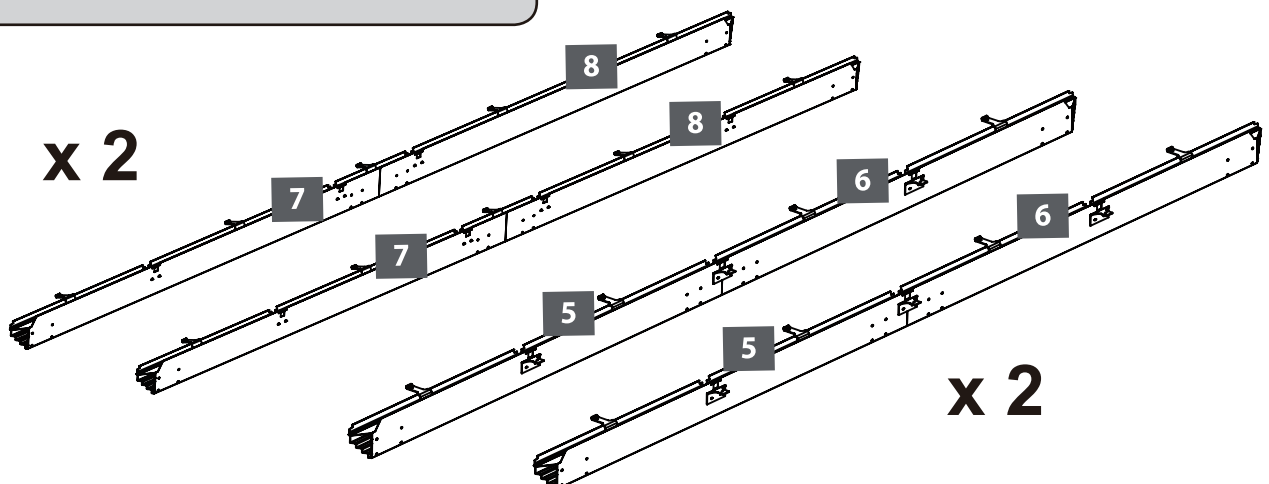


2.D

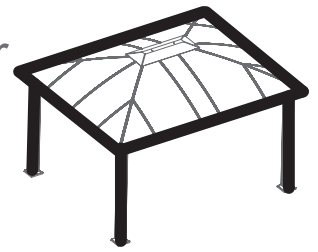
Attach five outer roof connectors (10) and four inner roof connectors (9) to each long rail set (7+8) at pre-drilled screw holes, using screws (32).



ATTENTION: Attach roof connectors facing exactly in the directions shown.



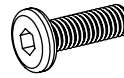
STEP 3 Assembling the Rails to the Corner Profiles



3.A

Attach one roof profile set (5+6) to two corner profiles (1) as shown, using screws (32) and supplied magnetic hex key (44) through holes in profile set.

Components



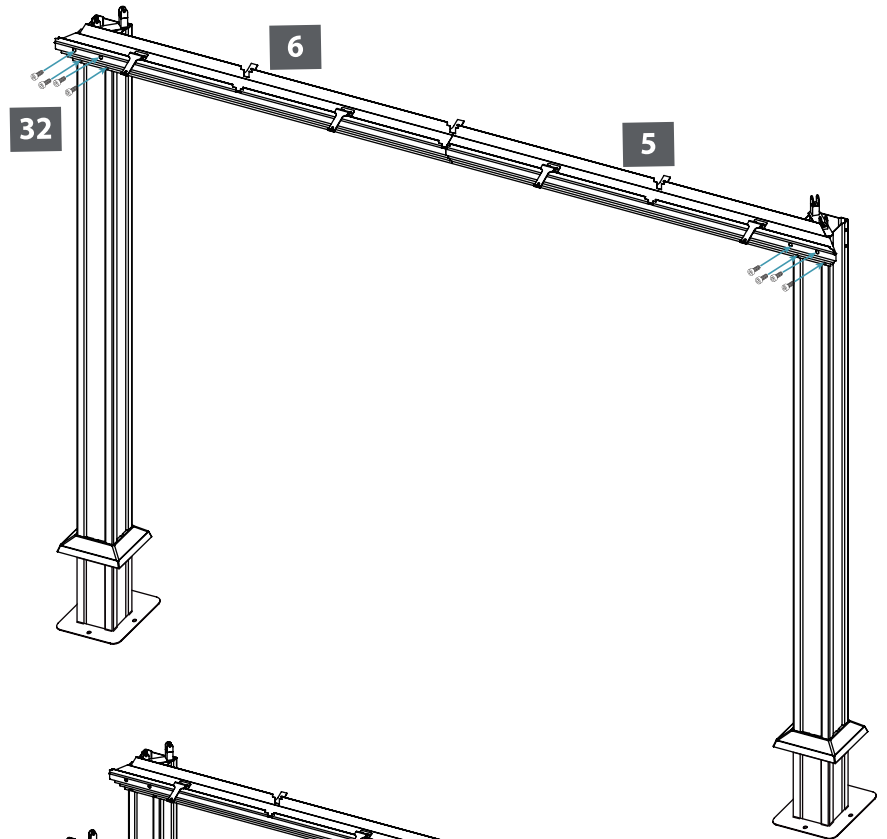
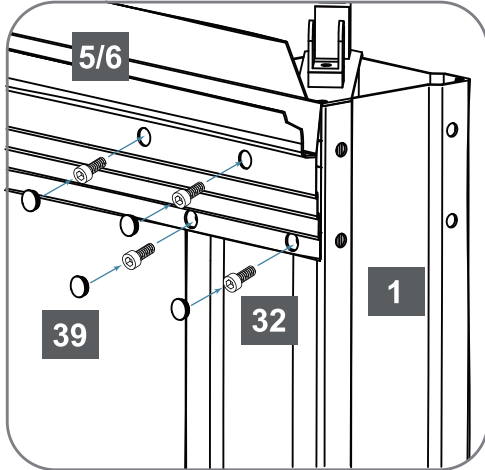
Screw (32)
x 32



Plastic Cap #3 (39)
x 32

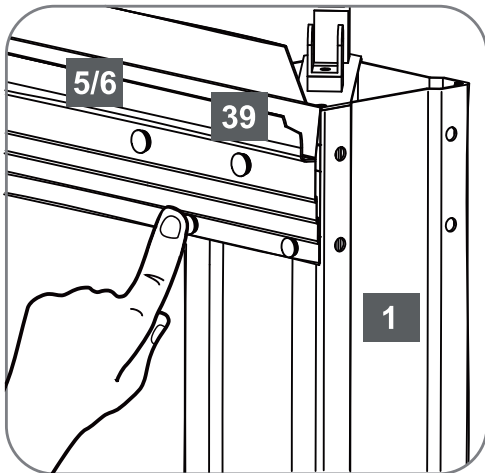


Magnetic hex Key (44)
x 1

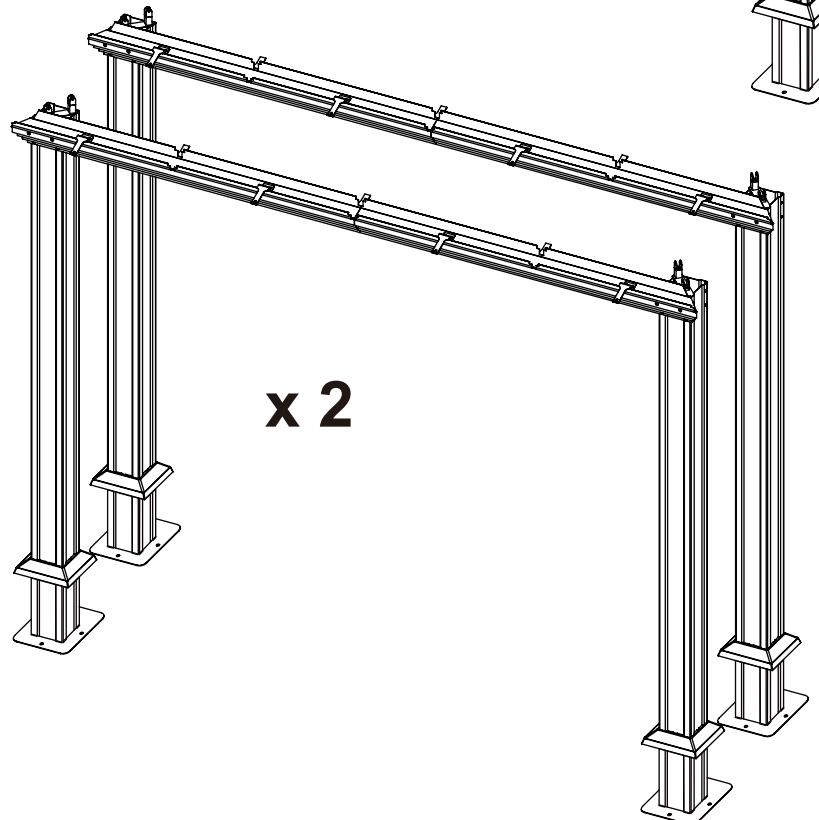


3.B

Close holes in profile set with plastic caps #3 (39).

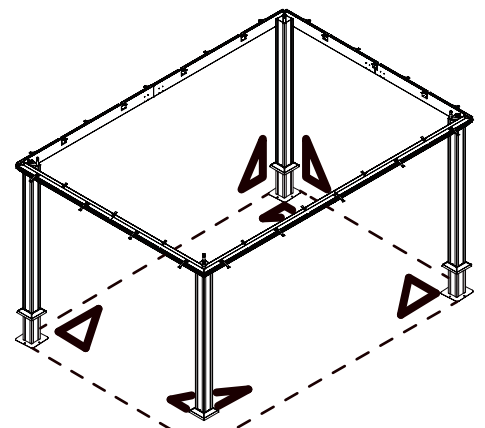
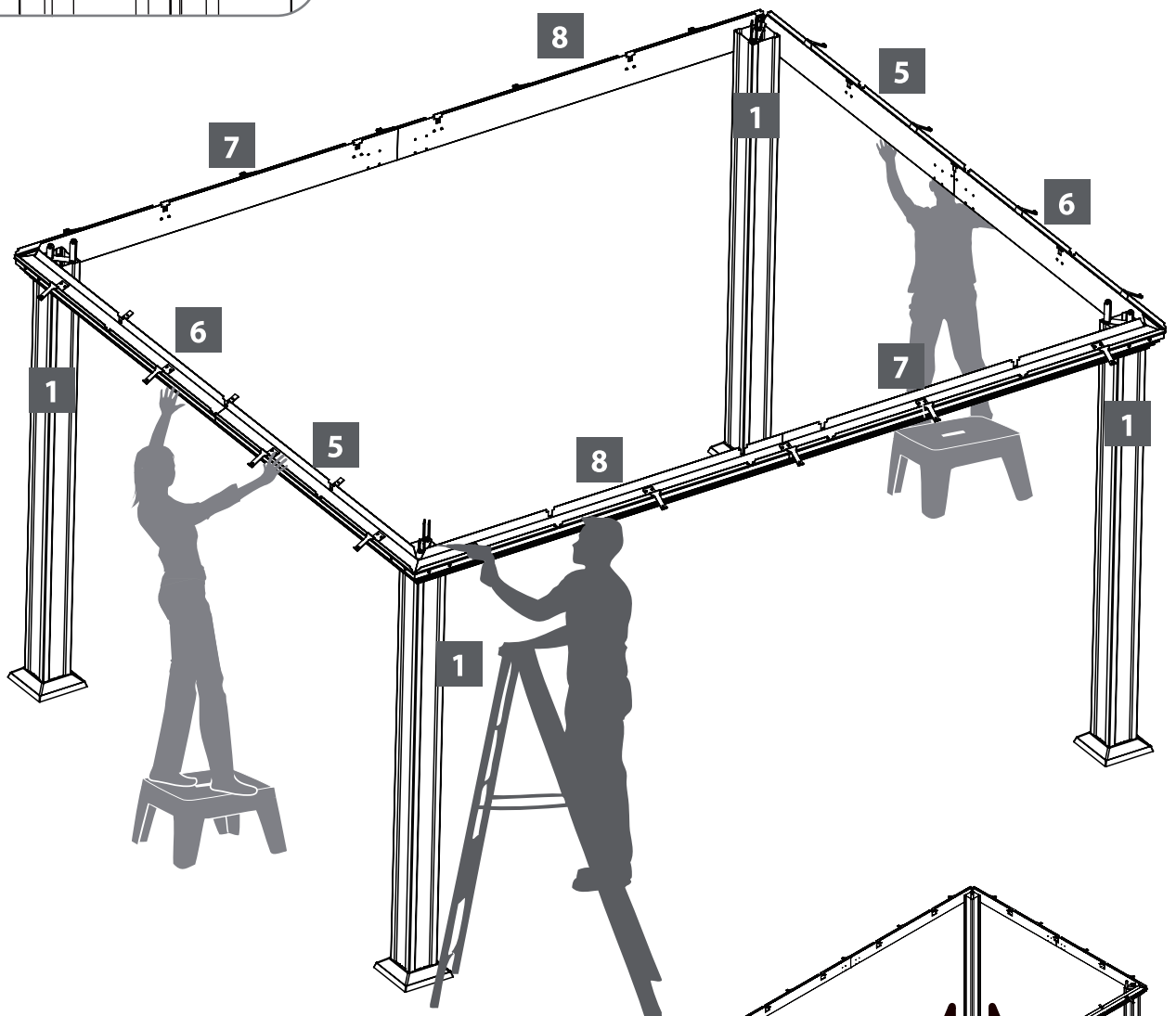
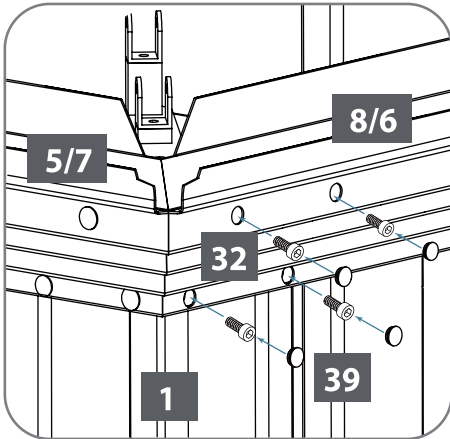


Repeat step 3.A and 3.B to create two sets.



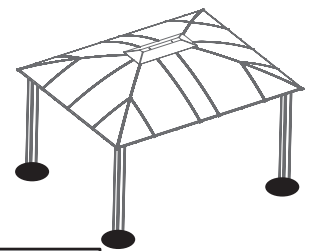
3.C

Using at least 3 people, attach the remaining two roof profile sets (5+6,7+8) to corner profiles (1), connecting all four corner profiles (1).
Fasten with four screws (32) and supplied magnetic hex key (44) on each side.
Close holes in profile sets with plastic caps #3 (39).



IMPORTANT: After this step you should place the gazebo frame in its desired location. Make sure all corners are squared at 90 degrees.

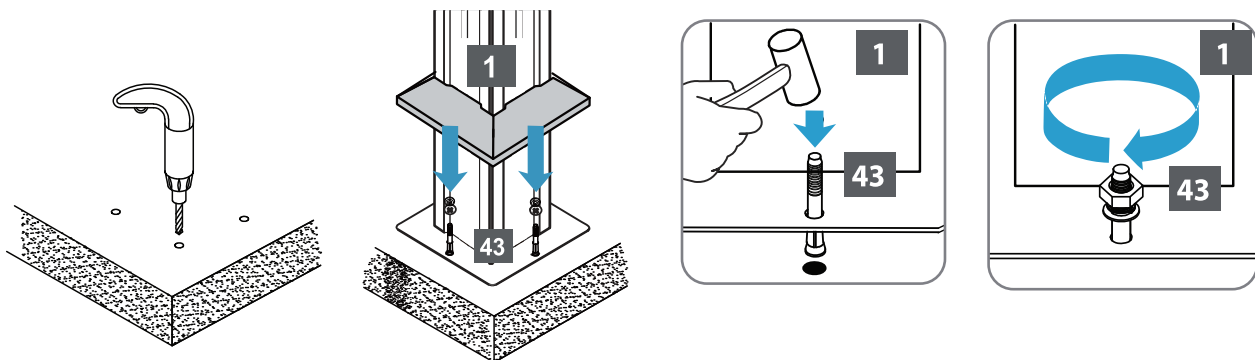
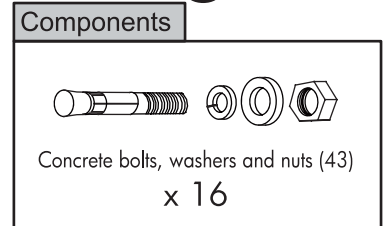
STEP 4 Secure the Gazebo to a Concrete Floor or Wood Deck



4.A

Concrete Floor:

1. Drill holes approx. 3.00 inches deep and use a mallet to set up.
2. 3/8" masonry drill bit to drill holes for the concrete anchors supplied.
3. Using a concrete drill, drill holes into the concrete floor, corresponding to the holes in support plates (3).
4. Insert concrete bolts (43) into the holes and hammer into place, using a mallet.
5. Fasten concrete bolts with washers and nuts.

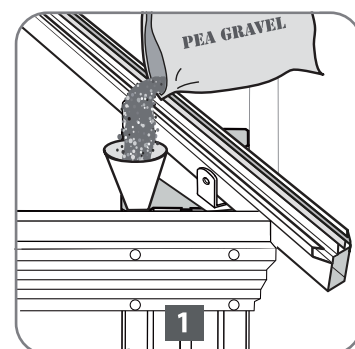


Wood Deck:

1. Using an electric wood drill, drill holes into the wood floor, corresponding to the holes in support plates (3).
2. Insert wood screws with washers (not supplied) into the holes and fasten, using an electric screw driver.



NOTE: After securing the gazebo to the ground, we highly recommend filling the corner profiles (1) with 2 bags (20LBs each) of Pea Gravel each for extra stability, as shown.



STEP 5 Installing the Lower Roof Gable Profiles



ATTENTION:
DO NOT ATTEMPT TO ASSEMBLE THIS ALONE !

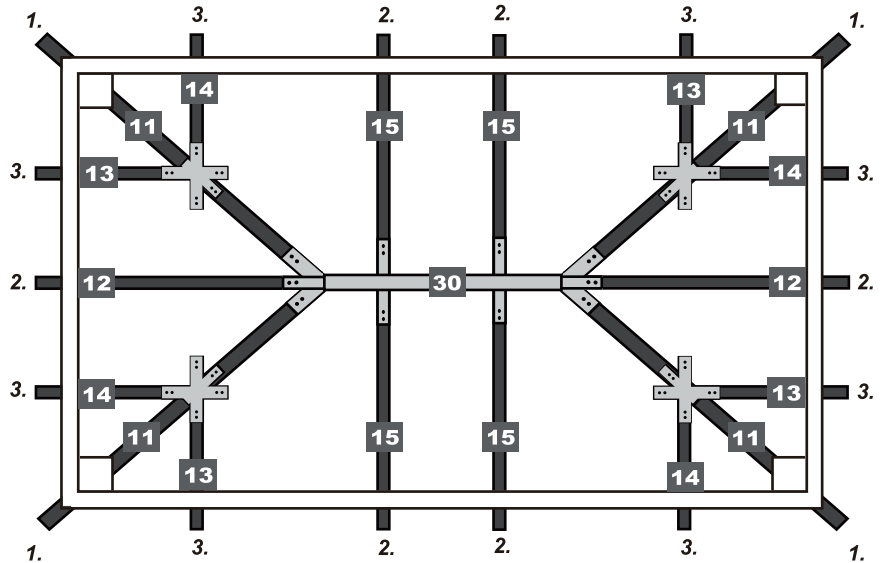
Components

Roof gable profile(11) 2469mm x4	Roof gable profile(12) 1808mm x2	Roof gable profile(13) 949mm x4	Roof gable profile(14) 949mm x4	Roof gable profile(15) 1790mm x4	Top center connector(20A) x2	
U-shaped connector(23) x2	Roof top connector beam(29) x1	Roof top connector beam(30) x1	Screw(32) x64	Screw(34) x8	Screw(35) x12	Screw(36) x8
Nut(38) M6 x14	Plastic Cap #1 (40) x2	Plastic Cap #2 (41) x4	T-connector (46) x6	X-connector (47) x4	top center connector(48) x4	Screw(50) x6
Roof gable profile(52) 450mm x4	Roof gable profile(52A) 440mm x4	Roof gable profile(53) 316mm x2	Roof gable profile(53A) 315mm x2	Roof Top Cover (54) x1		
Aluminium Composite Roof Panel(55) x2	Aluminium Composite Roof Panel(61) x2	Aluminium Composite Roof Panel(62) x2				

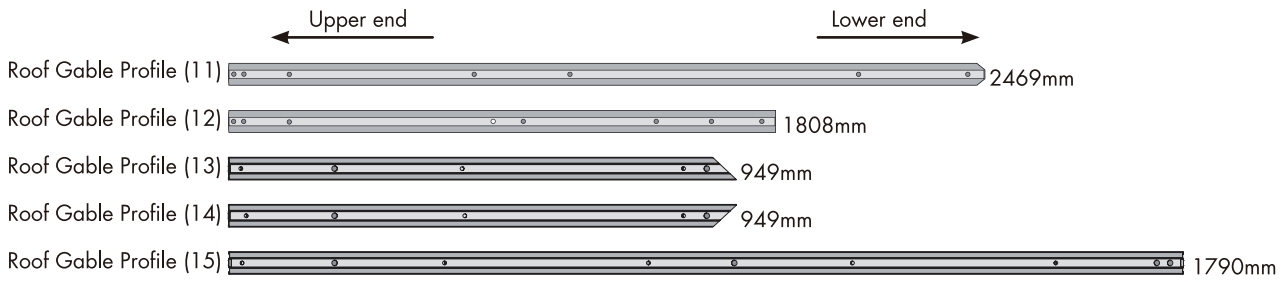
Using at least three people, install the roof gables (11,12) in the following order :

ATTENTION:
Roof Profiles, roof panel sand gables must be aligned properly during assembly to minimize any possibility of leaking.

VIEW FROM BELOW
(from inside gazebo)

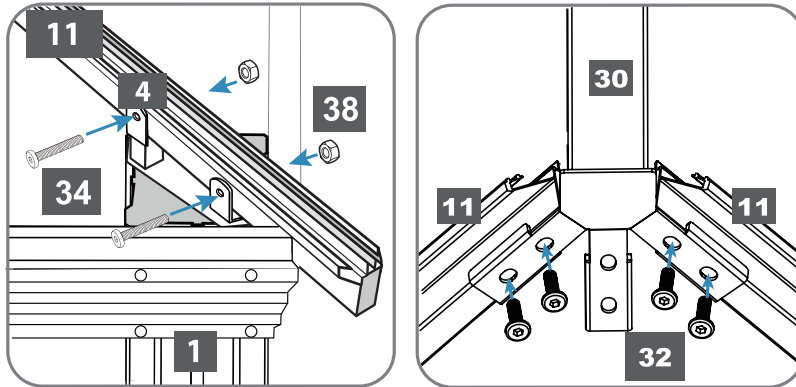


IMPORTANT: Make sure that the roof gable profiles (11,12) are installed exactly as shown so that the pre-drilled screw holes will align properly with screw holes on the roof panels.

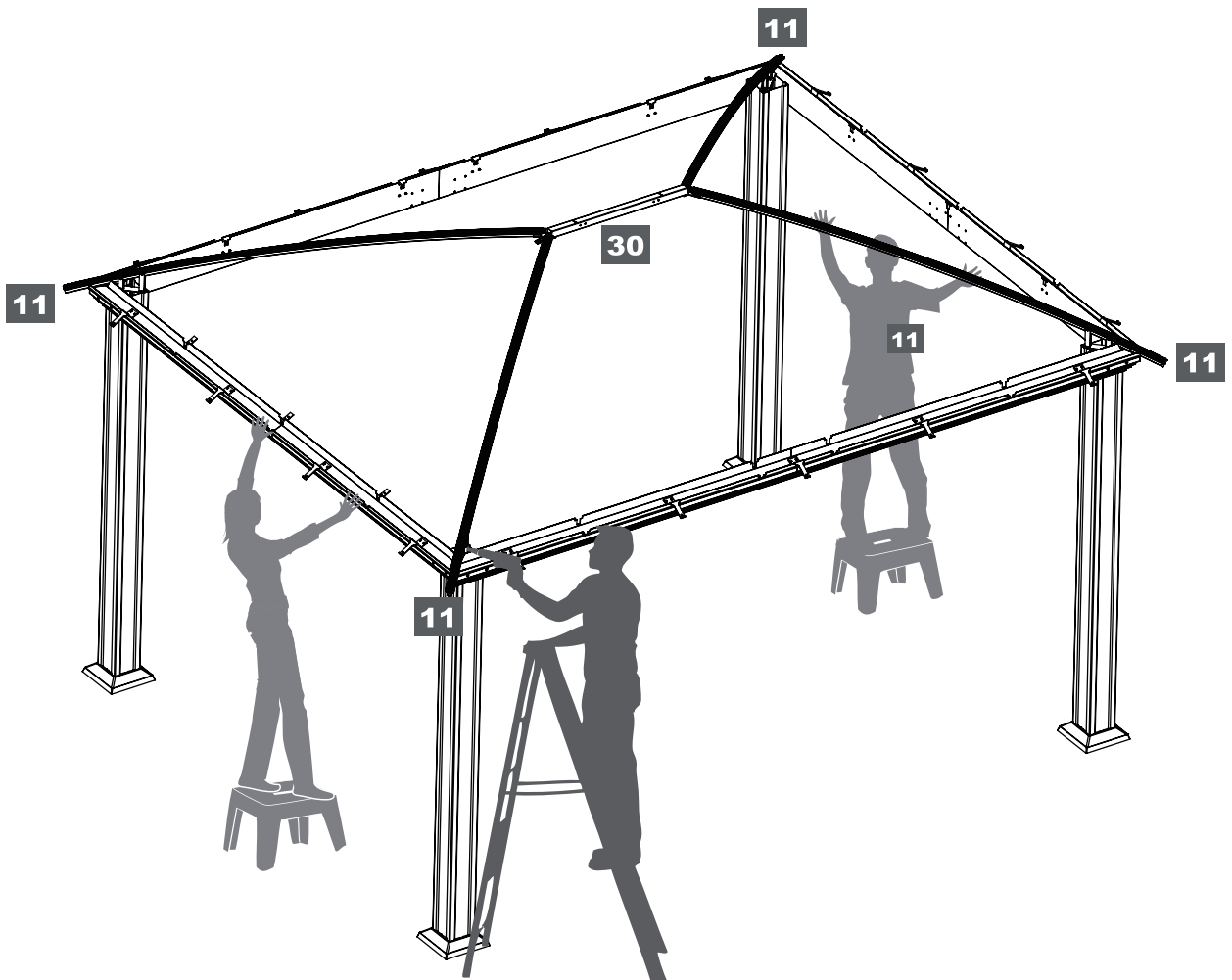


5.A

Using screws (34) and nuts (38), connect roof gable profiles (11) to corner roof connectors (4) on top of corner profiles (1).
 Using screws (32), connect roof gable profile (11) to roof top connector beam (30) as shown.



VIEW FROM BELOW



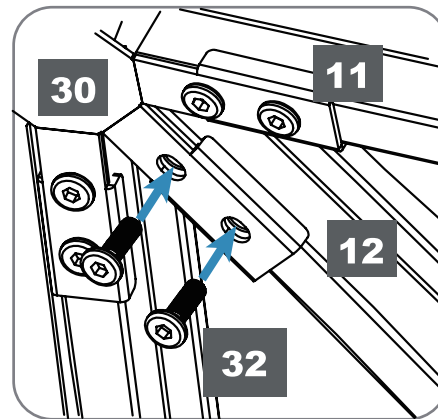
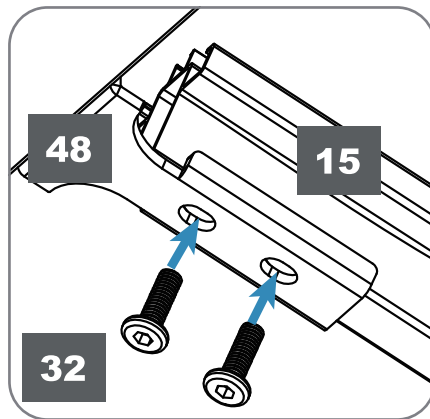
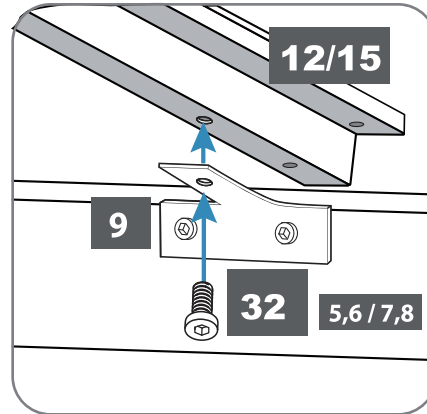
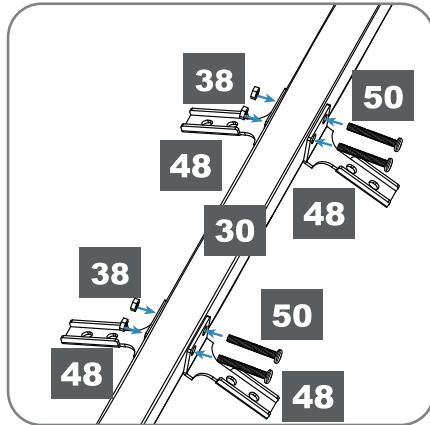
ILLUSTRATION

5.B

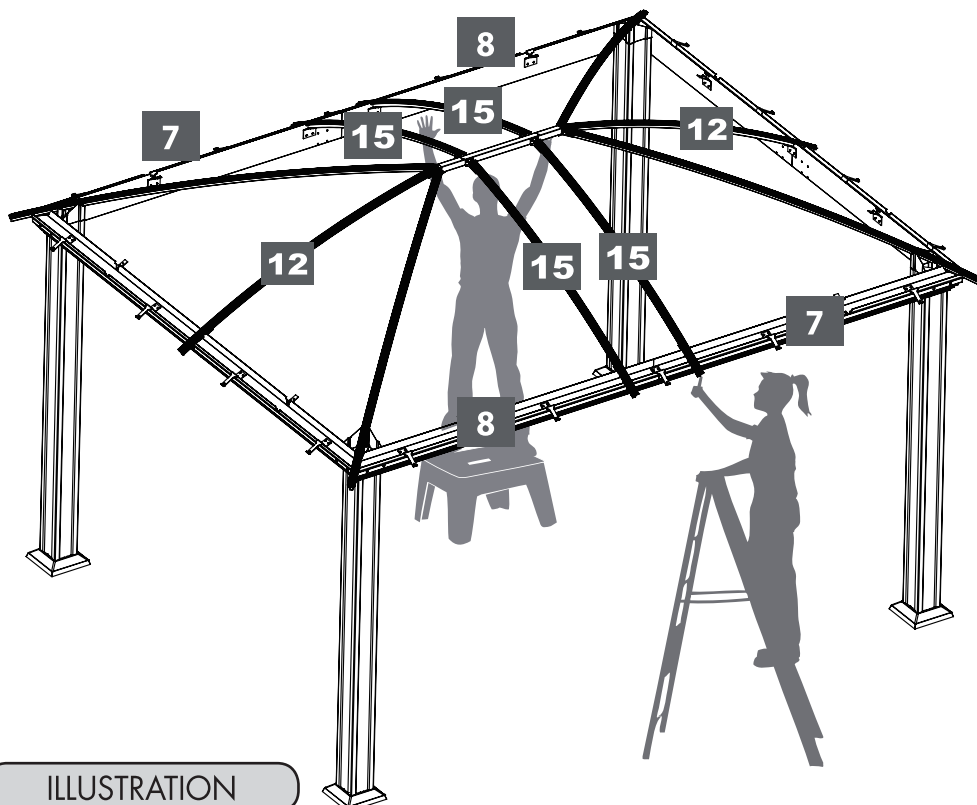
Install roof gable profiles (15).

Using screws (50) and nuts (38), connect top center connector (48) to roof top connector beam (30).
Using screws (32), connect roof gable profiles (15) to inner roof connector (9) on rail sets (7+8) and the other end to roof top center connector (48).

Using screws (32) connect roof gable profiles (12) to inner roof connector (9) on short rail sets (5+6) and the other end to roof top connector beam (30).



VIEWS FROM BELOW



ILLUSTRATION

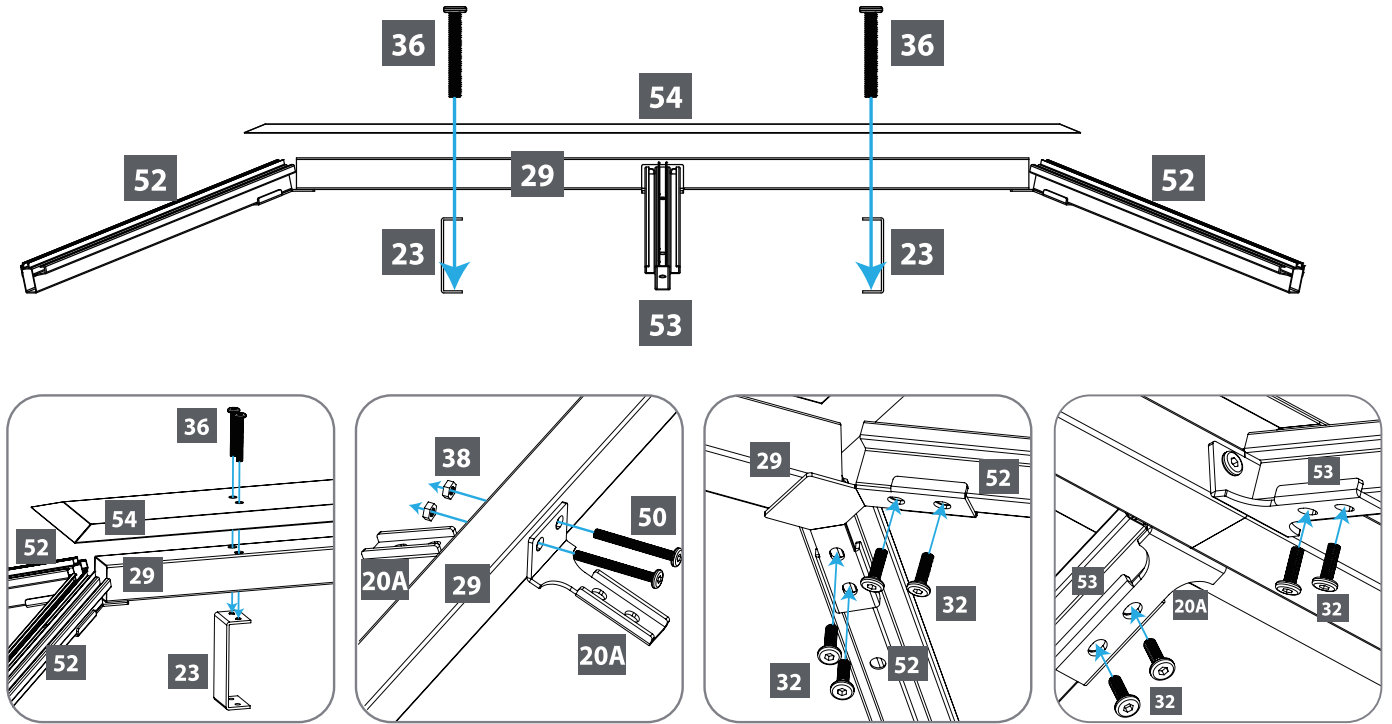
5.C

Connect the roof top cover (54) to roof top connector beam (29) by attaching U-shaped connectors (23) from above, using two screws (36).

Using screws (50) and nut (38), connect two top center connectors (20A) to roof top connector beam (29).

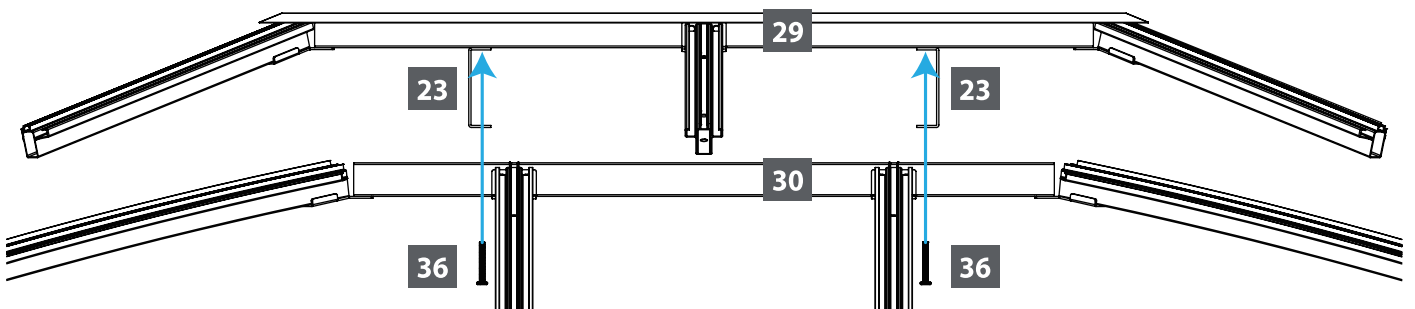
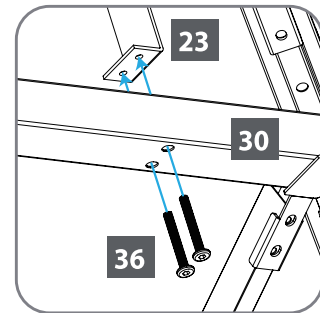
Using screws (32), connect roof gable profile (52) to roof top connector beam (29).

Using screws (32), connect two roof gable profile (53) to top center connectors (20A).



5.D

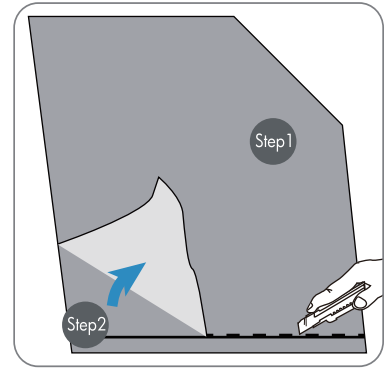
Install roof top connector beam (29) and the U-shaped connectors (23) on the roof top connector beam (30) by screws (36) from below as shown.



5.E



IMPORTANT: Gently cut on the edge of the panels on both side with knife and remove protective plastic of roof panels. Place with black surface toward the sun facing out when installing.



52

53

52

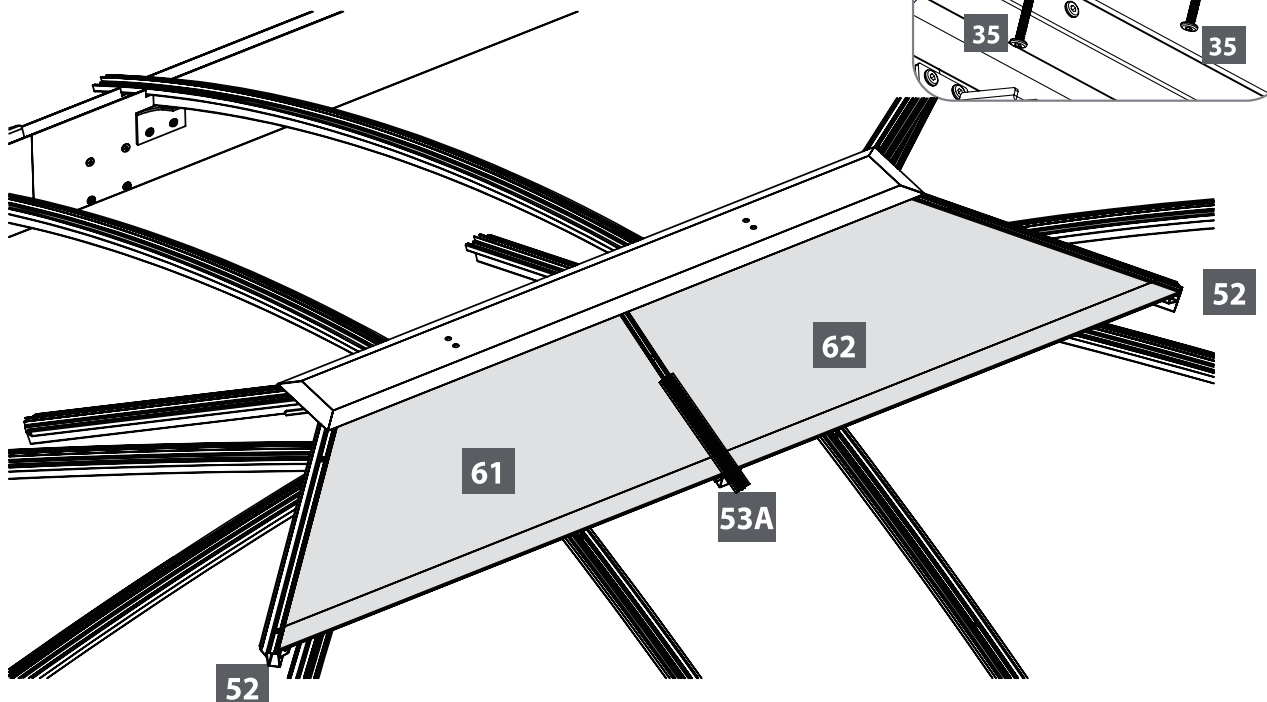
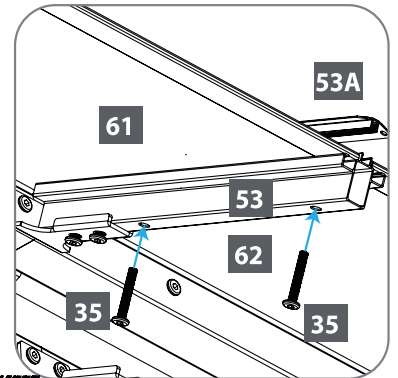


52

53

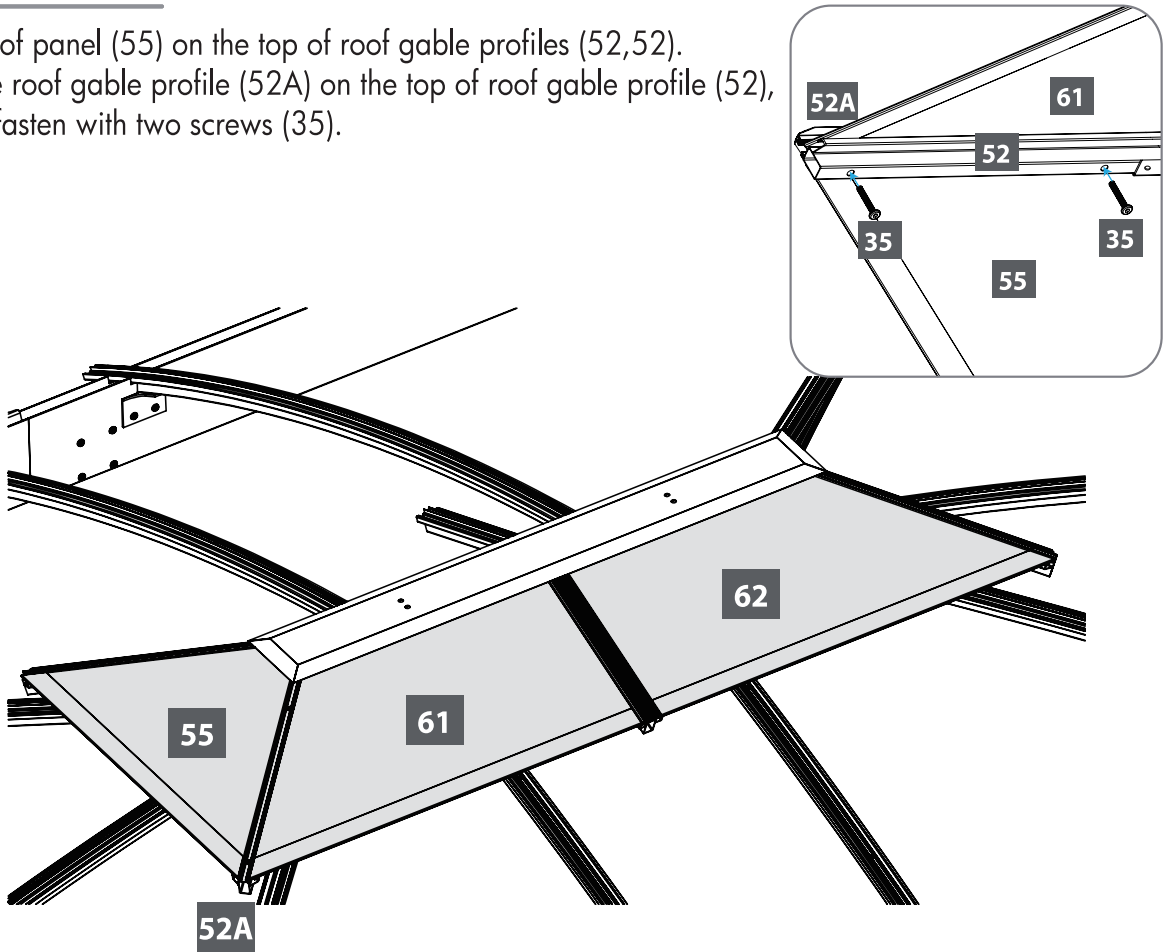
52

Fit roof panels (62,61) on top of roof gable profiles (52 and 52). Place roof gable profile (53A) on the top of roof gable profile (53) and fasten with two screws (35) from below (inside gazebo).



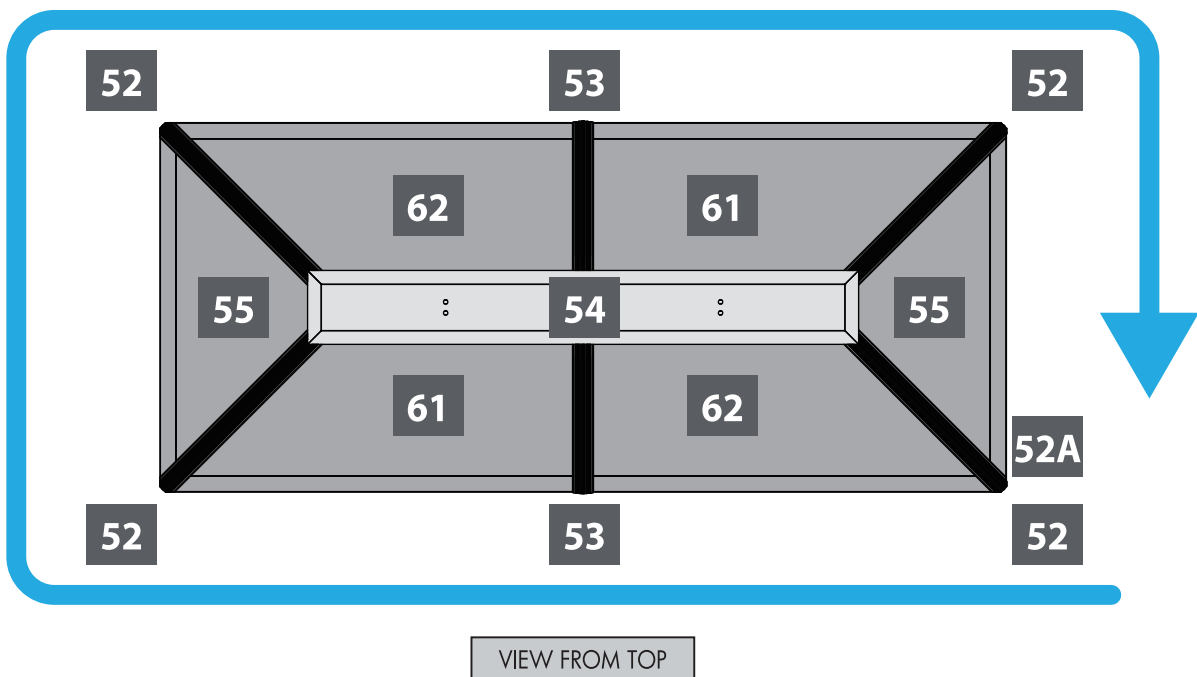
5.F

Fit roof panel (55) on the top of roof gable profiles (52,52). Place roof gable profile (52A) on the top of roof gable profile (52), and fasten with two screws (35).



5.G

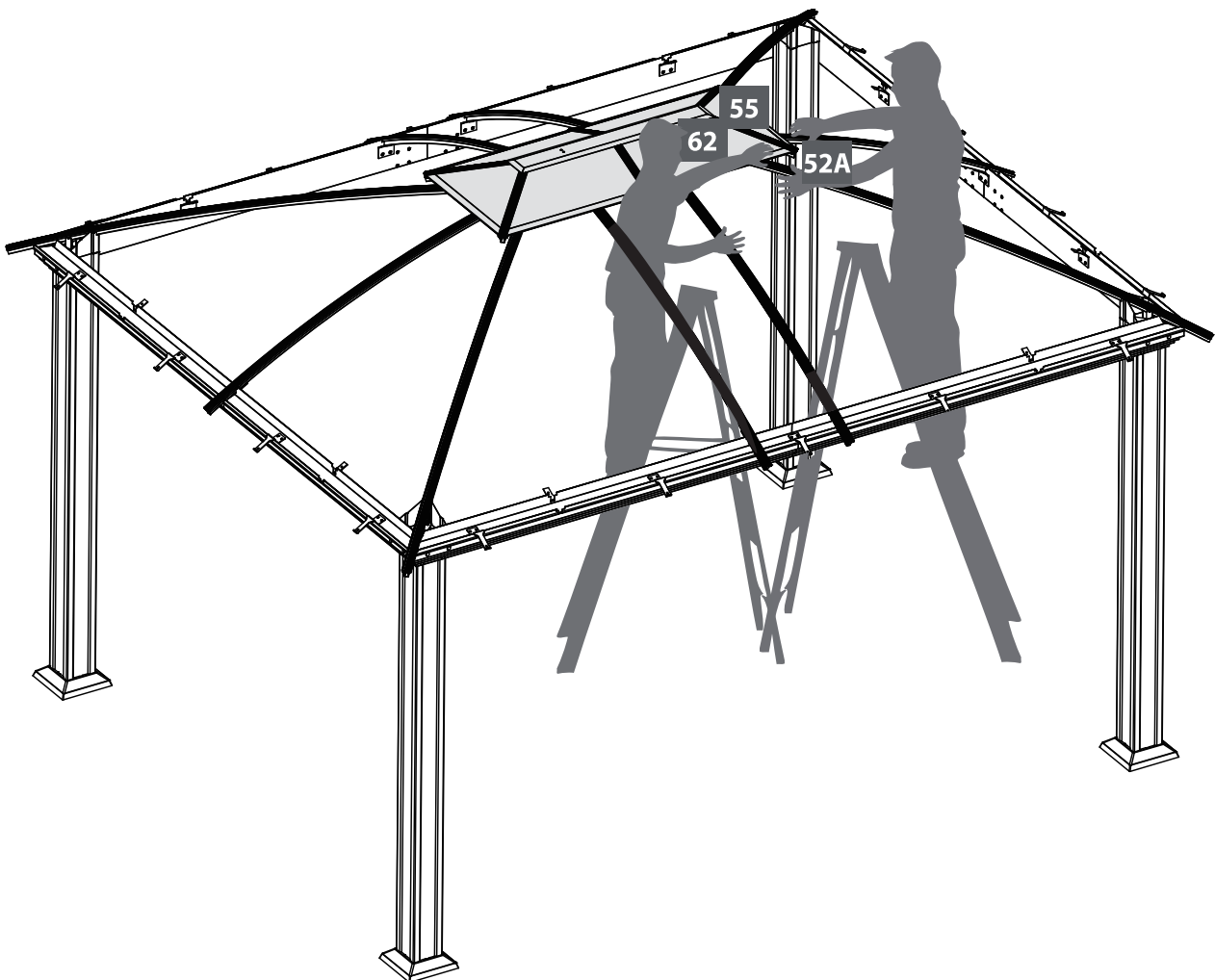
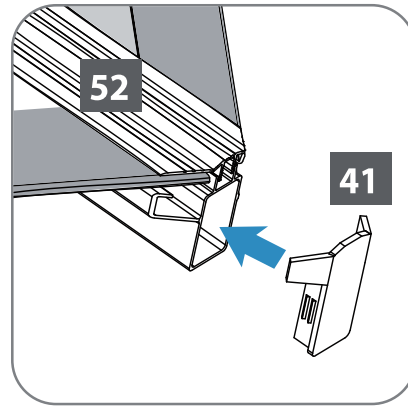
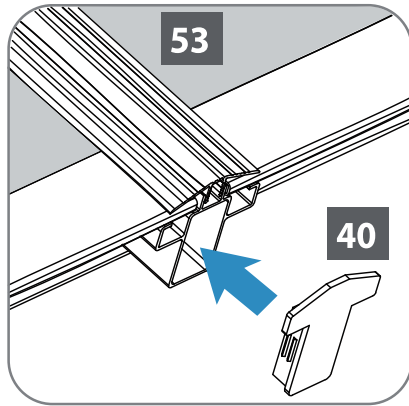
Continue in a clock-wise direction as shown.



Fit the roof panel (55) on top of roof gable profiles (52,52) .

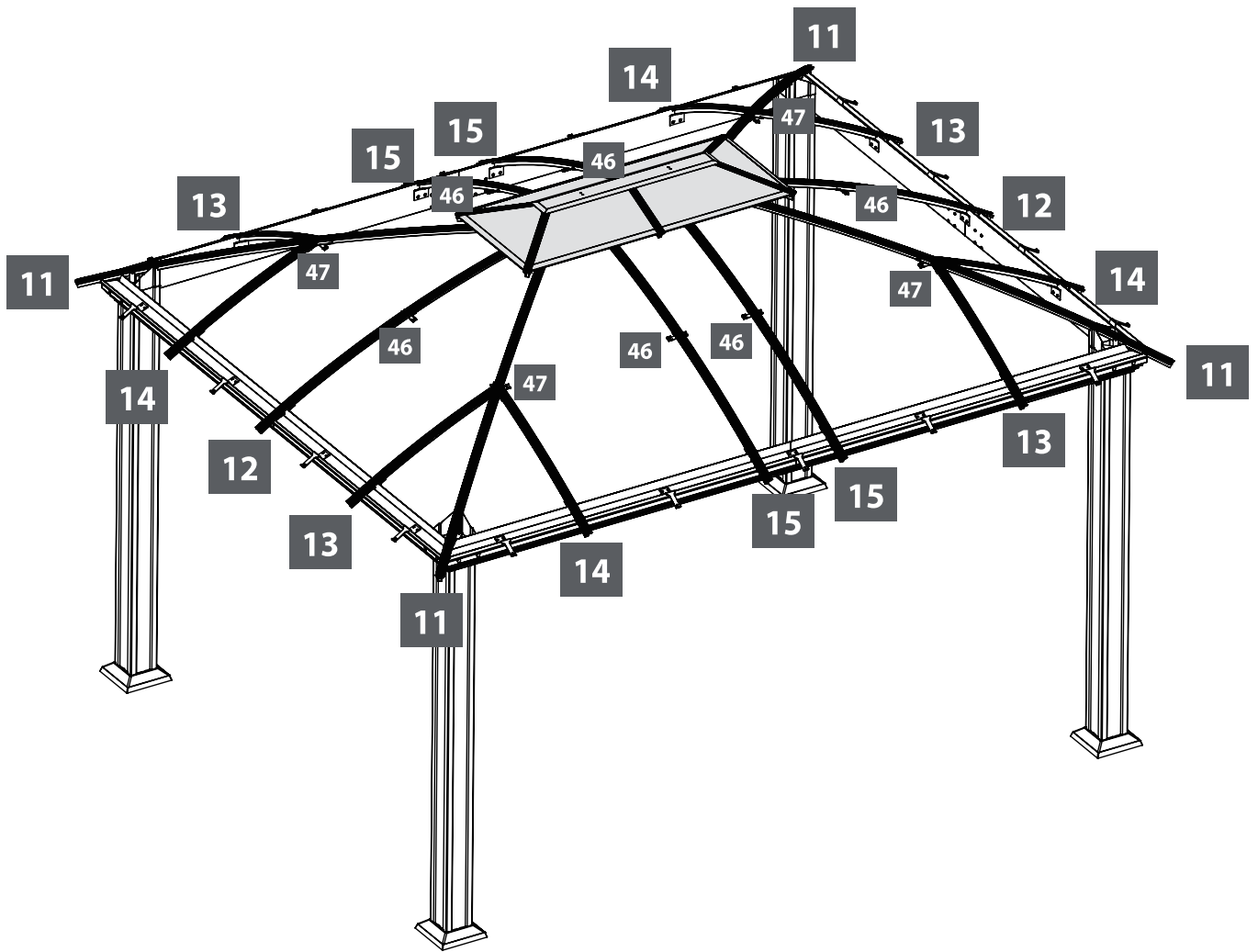
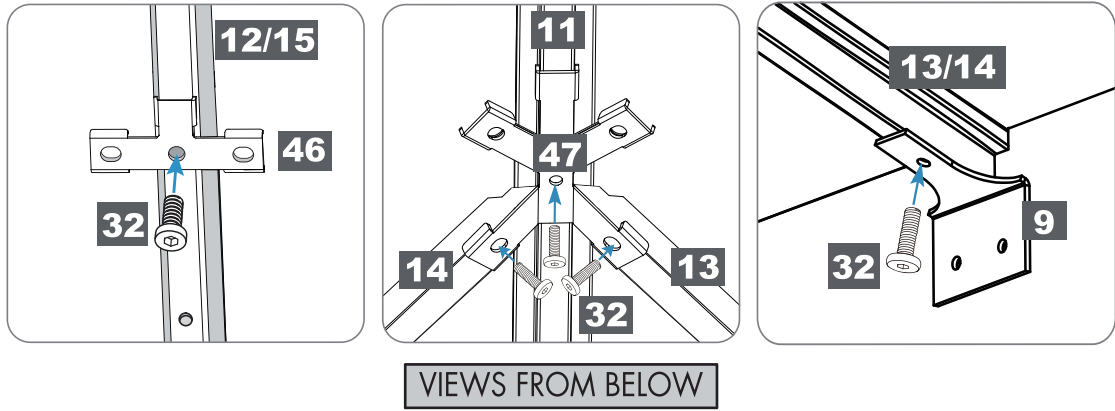
Place roof profiles (52A) on top of roof gable profiles (52), fasten with screws (35) from below.

Close off roof gable profiles (53) with plastic cap #1 (40) and roof gable profiles (52) with plastic cap #2 (41).

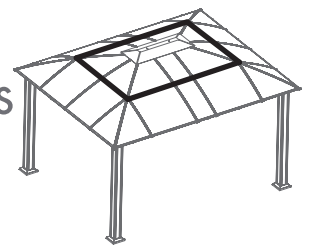


5.H

Attach T-connectors (46) to underside of roof gable profiles (12, 15), using screws (32) as shown. Attach X-connectors (47) to underside of roof gable profiles (11), using screws (32) as shown. Connect profile (13, 14) to X-connectors (47) and the other end to inner roof connector (9) using screws (32).



STEP 6 Installing the Horizontal Roof Profiles

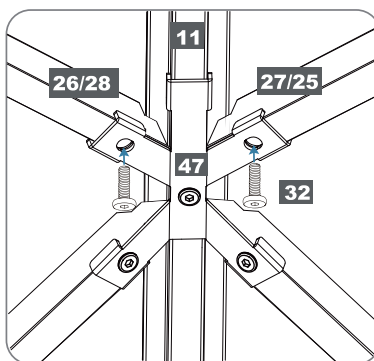
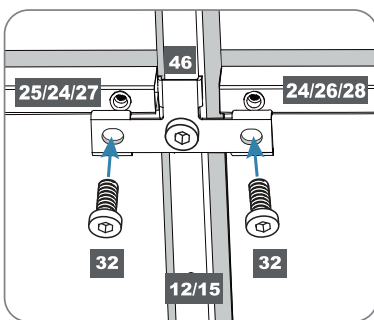


Components

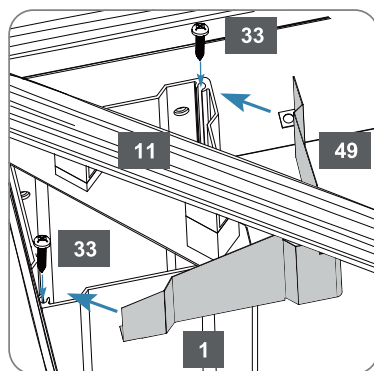
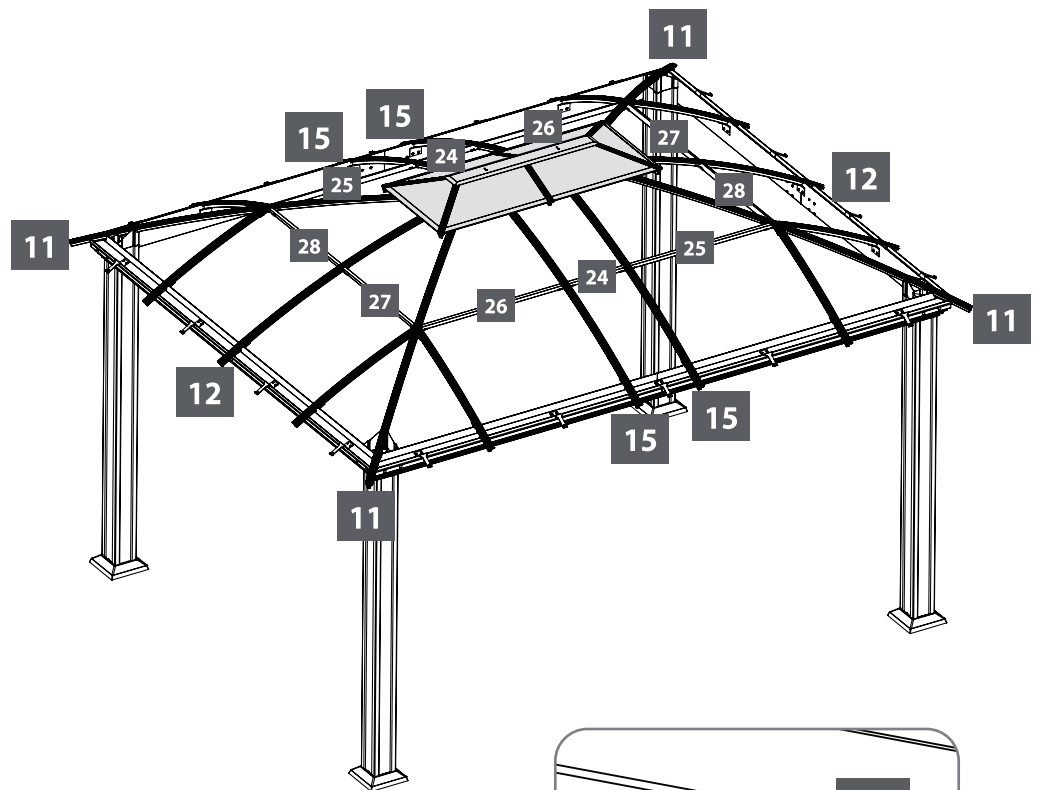
Roof profile (24) 409mm x 2	Roof profile (25) 1000mm x 2	Roof profile (26) 1000mm x 2	Roof profile (27) 823mm x 2	Roof profile (28) 823mm x 2	Corner cap (49) x 4	Hook (45) x 1	Screw (33) x 8

6.A

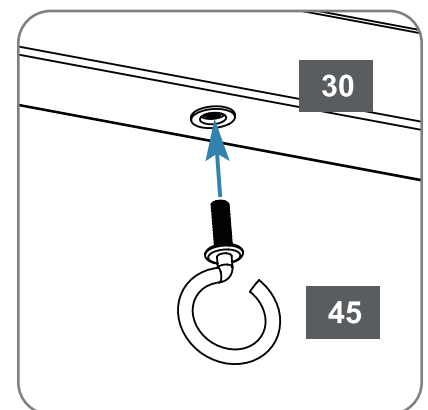
Attach roof profiles (24,25,26,27,28) to T-connectors (46) and X-connectors (47).



VIEWS FROM BELOW



VIEW FROM INSIDE



Attach Hook (45) on the roof top connector beam (30). Place corner cap (49) on the top of corner profile (1) and fasten with screw (33).

STEP 7 Installing the Roof Panels and Upper Roof Profiles

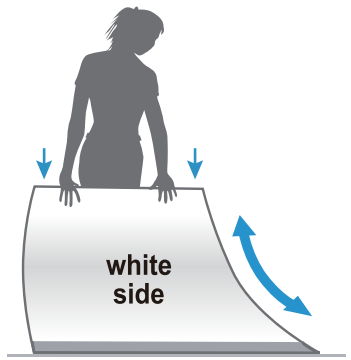
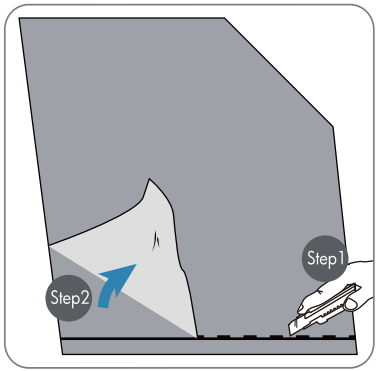
IMPORTANT: Gently cut on the edge of the panels on both side with knife and remove protective plastic of roof panels. Place with black surface toward the sun facing out when installing.

Components							
Roof gable profile (11A) 2220mm x 4	Roof gable profile (12A) 1623mm x 2	Roof gable profile (13A) 942mm x 4	Roof gable profile (14A) 942mm x 4	Roof gable profile (15A) 1623mm x 4	Screw (37) x 18	Screw (35) x 74	Aluminium Composite Roof Panel (16) x 2
Aluminium Composite Roof Panel (17) x 2	Aluminium Composite Roof Panel (18) x 2	Aluminium Composite Roof Panel (19) x 4	Aluminium Composite Roof Panel (20) x 4	Aluminium Composite Roof Panel (21) x 2	Aluminium Composite Roof Panel (22) x 2		

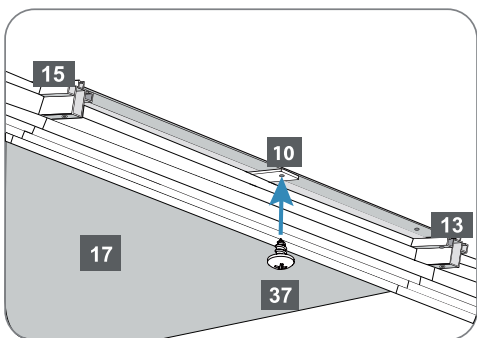
7.A

IMPORTANT: Gently cut the film in order to avoid breaking on the panels.

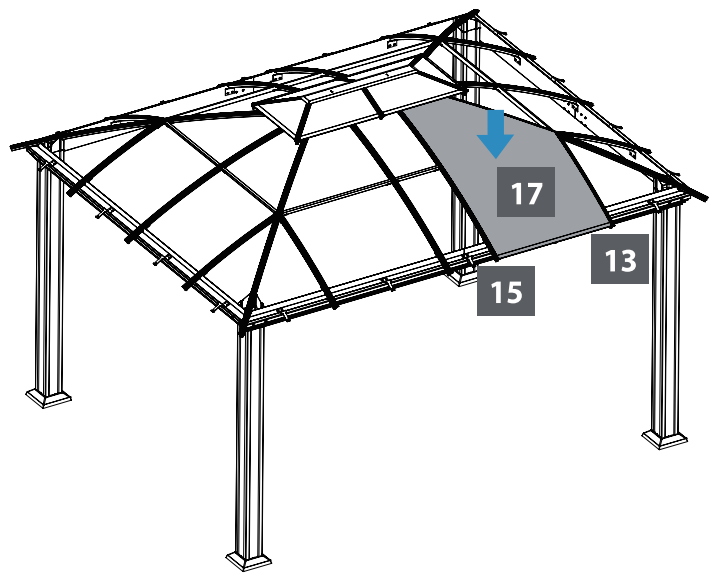
We recommend curving the roof panels SLIGHTLY as shown below, to facilitate fitting them onto the curved roof profiles.



Fit roof panel (17) on top of roof profiles (13,15) as shown and fasten with one screw (37) from below to outer roof connector (10).

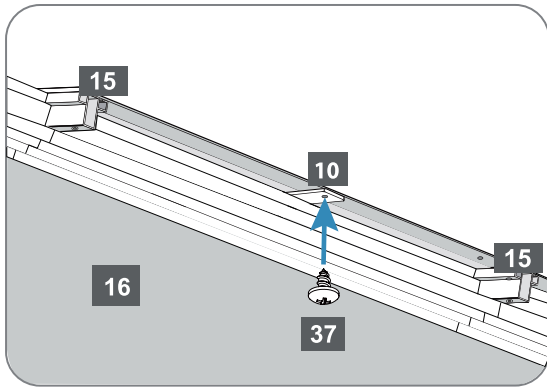
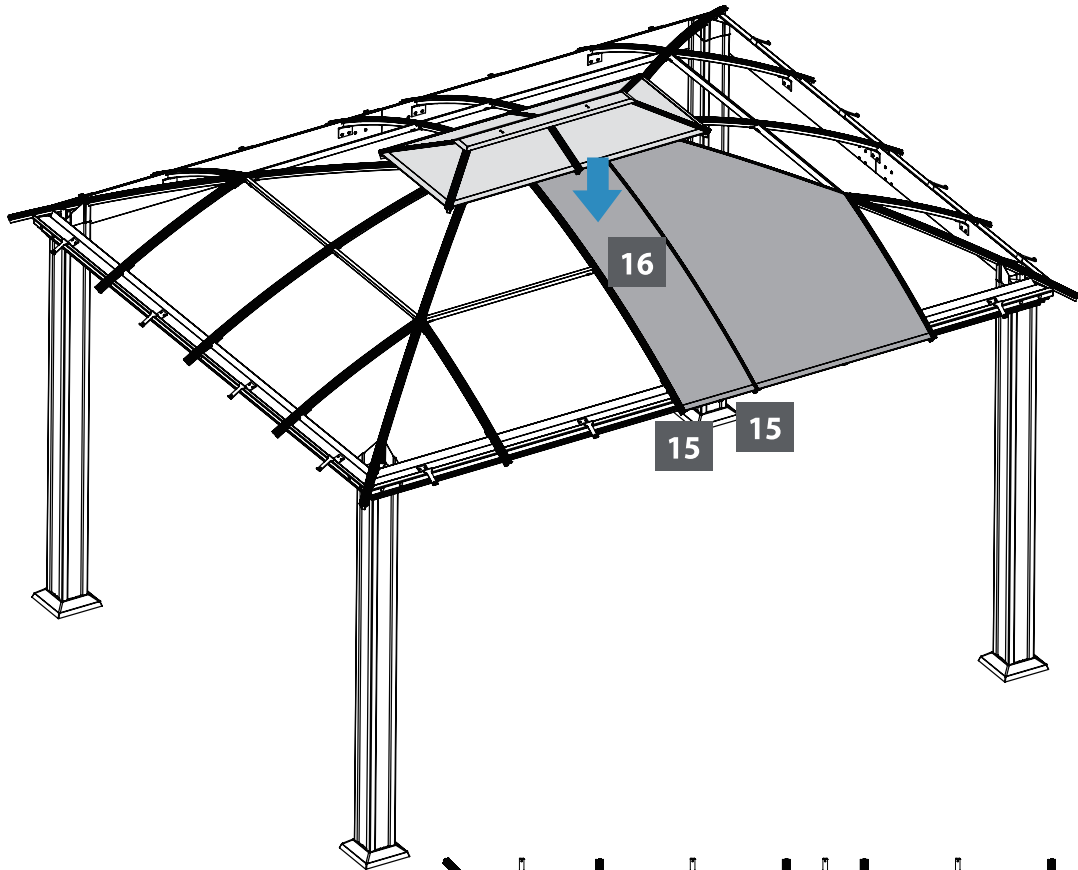


VIEW FROM BELOW

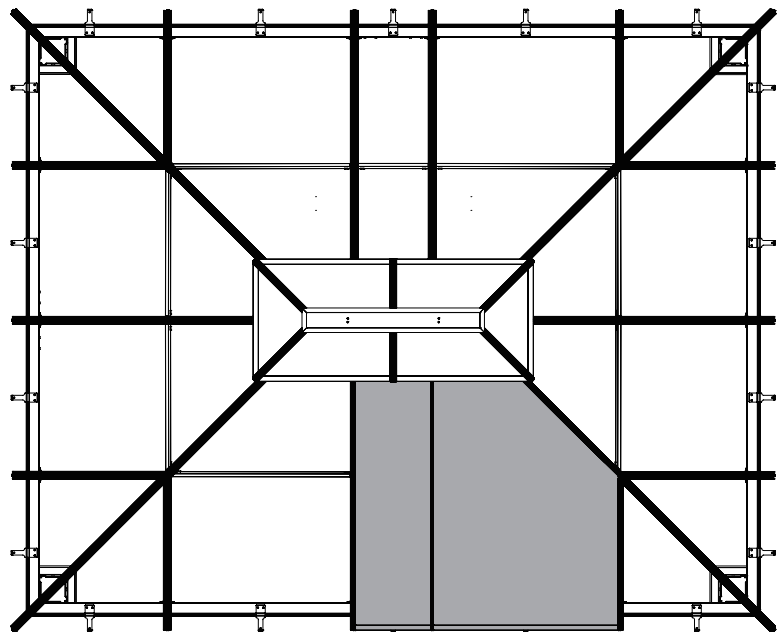


7.B

Fit roof panel (16) on top of roof gable profiles (15) as shown and fasten with one screw (37) underneath of outer roof connector (10).



VIEW FROM BELOW



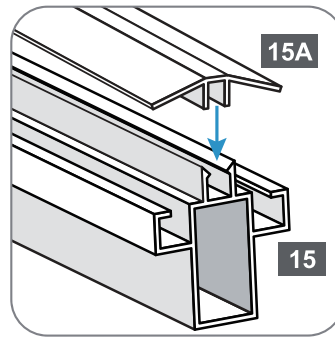
VIEW FROM TOP



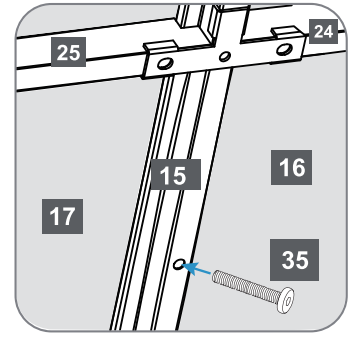
IMPORTANT: Make sure that the roof panels are installed exactly in the order shown, otherwise it will be difficult to place the top roof gable profiles.

7.C

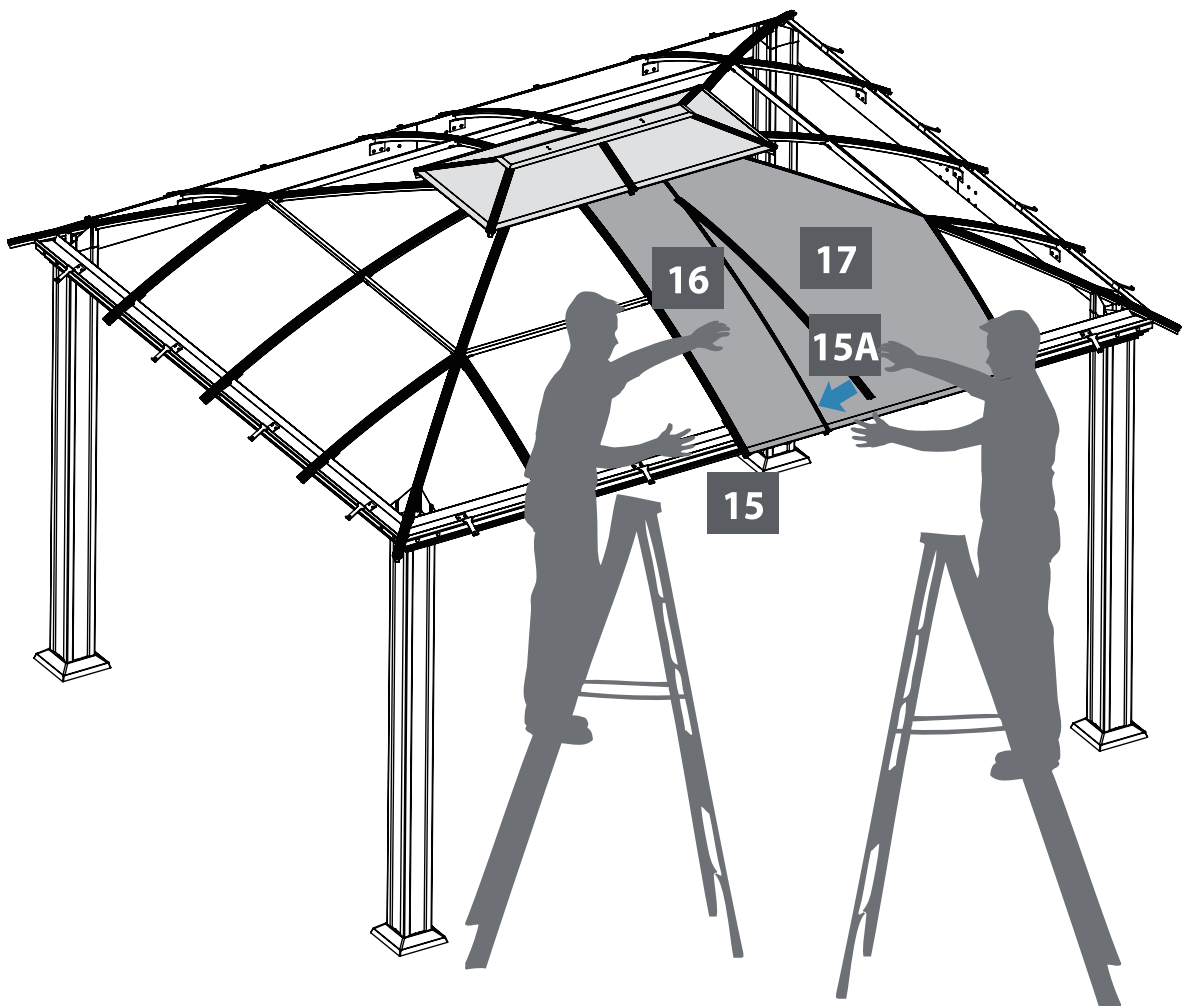
Place roof gable profile (15A) on top of roof gable profile (15) as shown and fasten with screws (35) from below (inside gazebo).



Connecting the upper and lower profiles



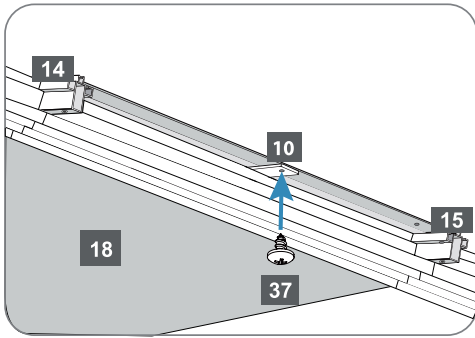
VIEW FROM BELOW
(from inside gazebo)



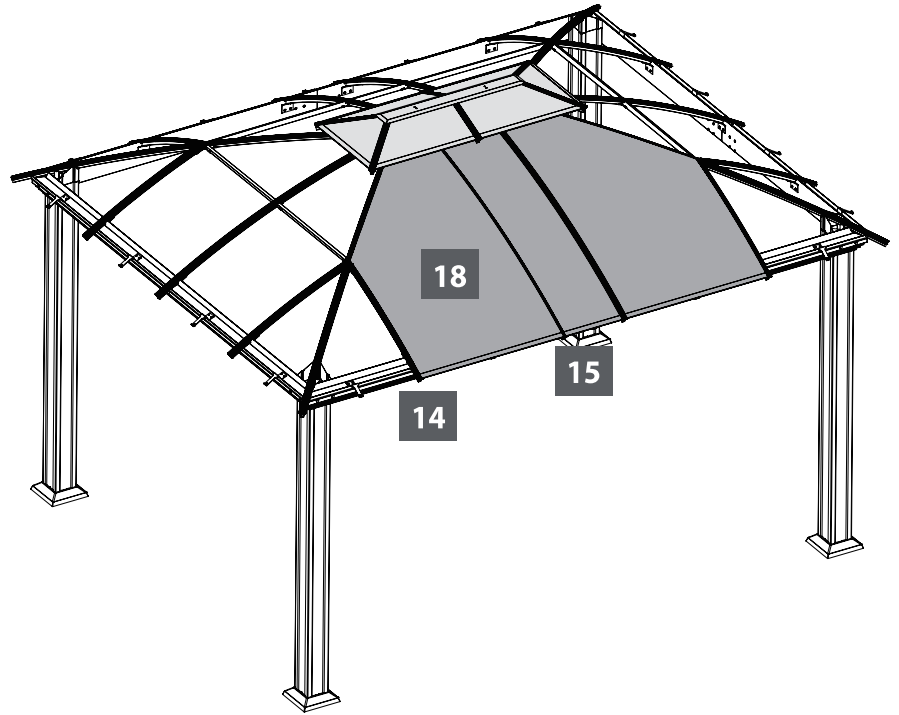
ATTENTION: Roof Profiles, roof panels and gables must be aligned properly during assembly to minimize any possibility of leaking.

7.D

Fit roof panel (18) on top of roof gable profiles (14,15) as shown and fasten with screw (37) to outer roof connector (10) from below.

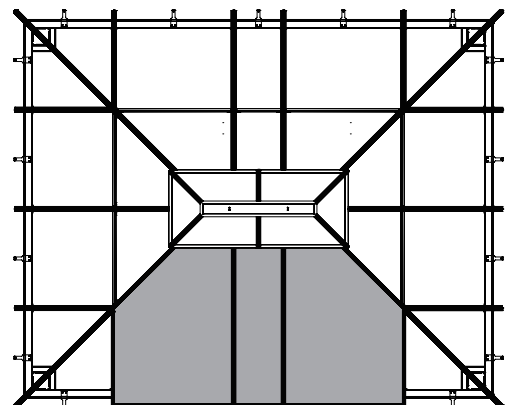
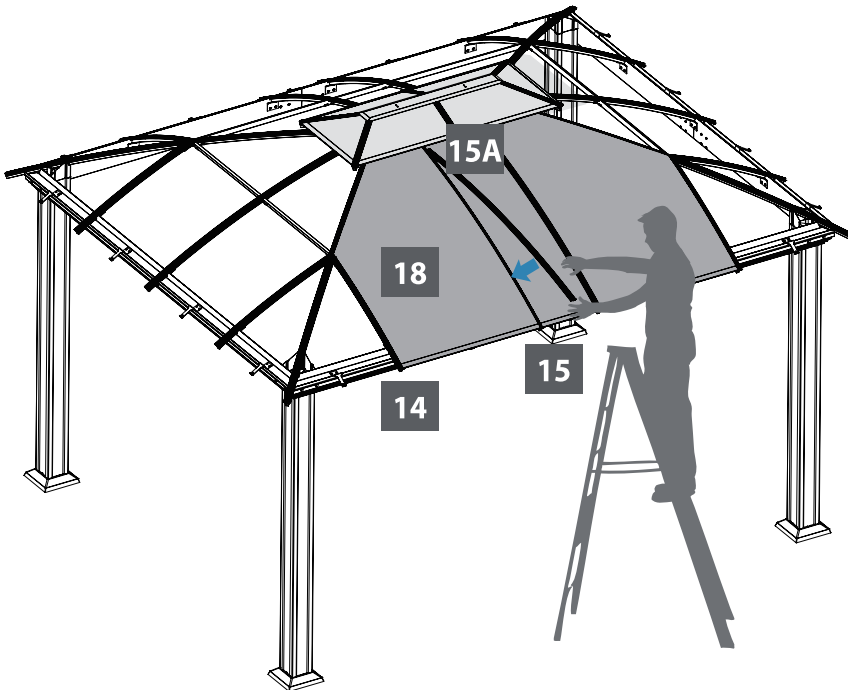


VIEW FROM BELOW



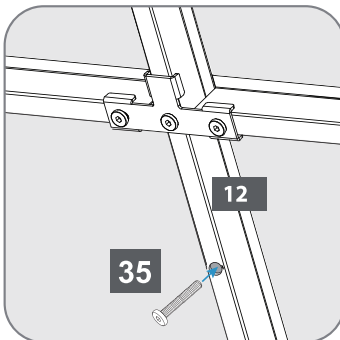
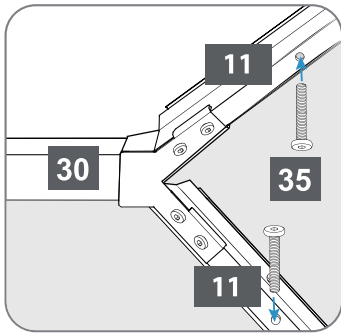
7.E

Place roof gable profile (15A) on top of roof gable profile (15) as shown. Align both profiles, and fasten with five screw (35) from below (inside gazebo).

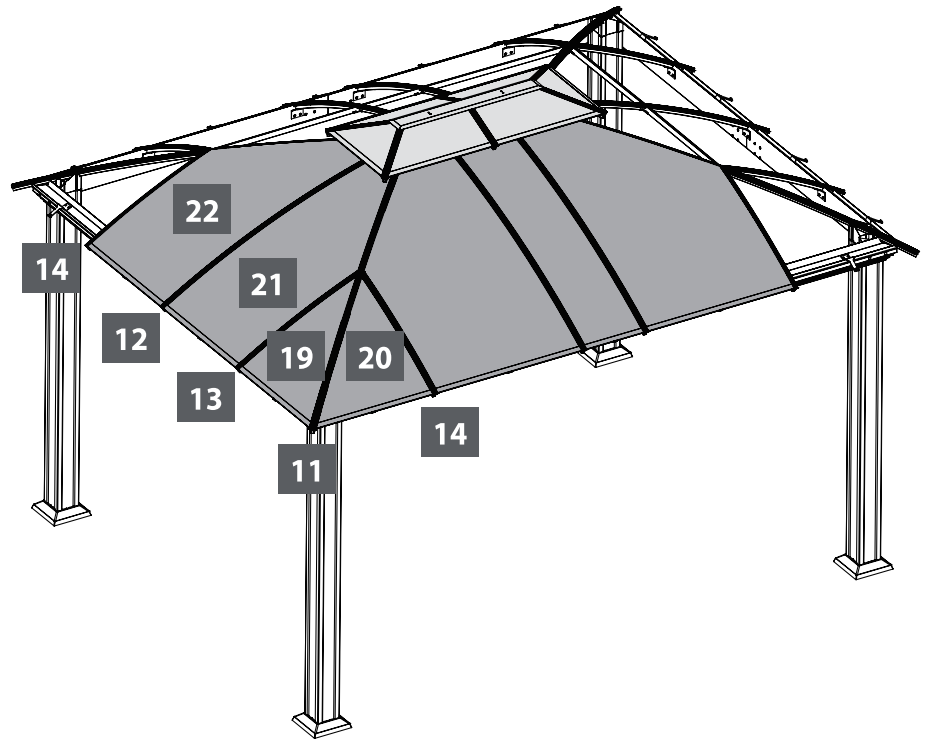


7.F

Fit roof panel (19,20,21,22) on top of roof gable profiles (11,12,13,14) as shown and fasten with one screw (37) underneath of outer roof connector (10).
Place roof profiles (11A,12A) on top on roof profiles (11,12) and fasten with screws (35) from below.

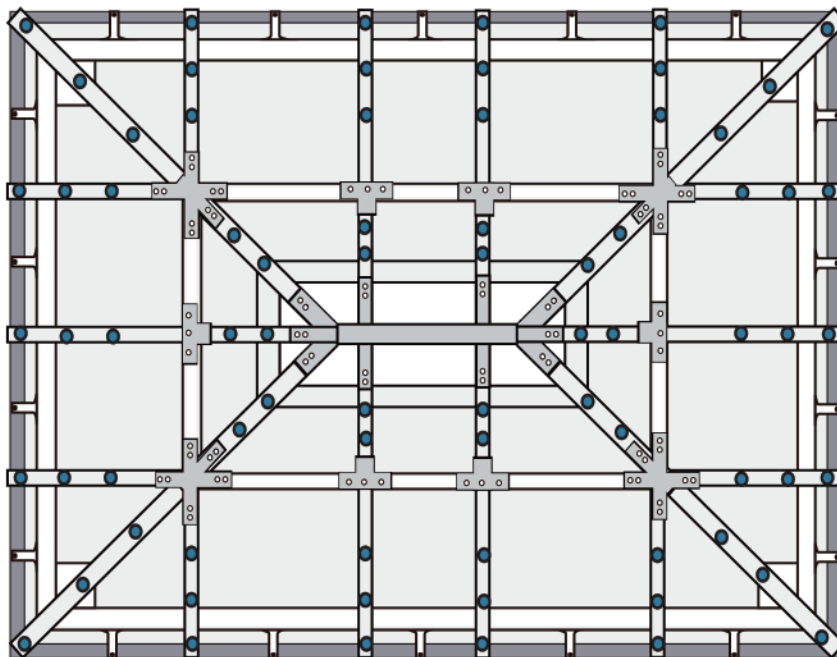


VIEW FROM BELOW



7.G

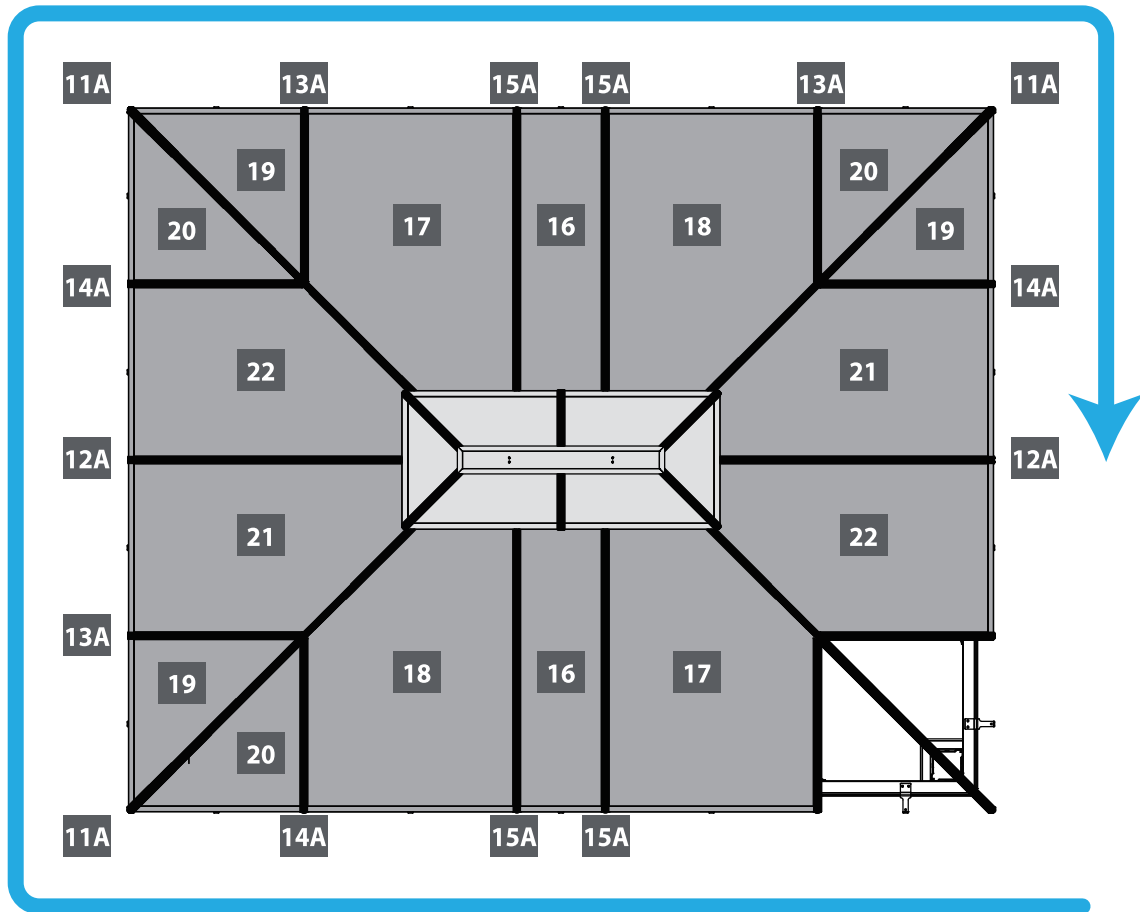
● Positions of screws (35) from below roof



VIEW FROM BELOW
(from inside gazebo)

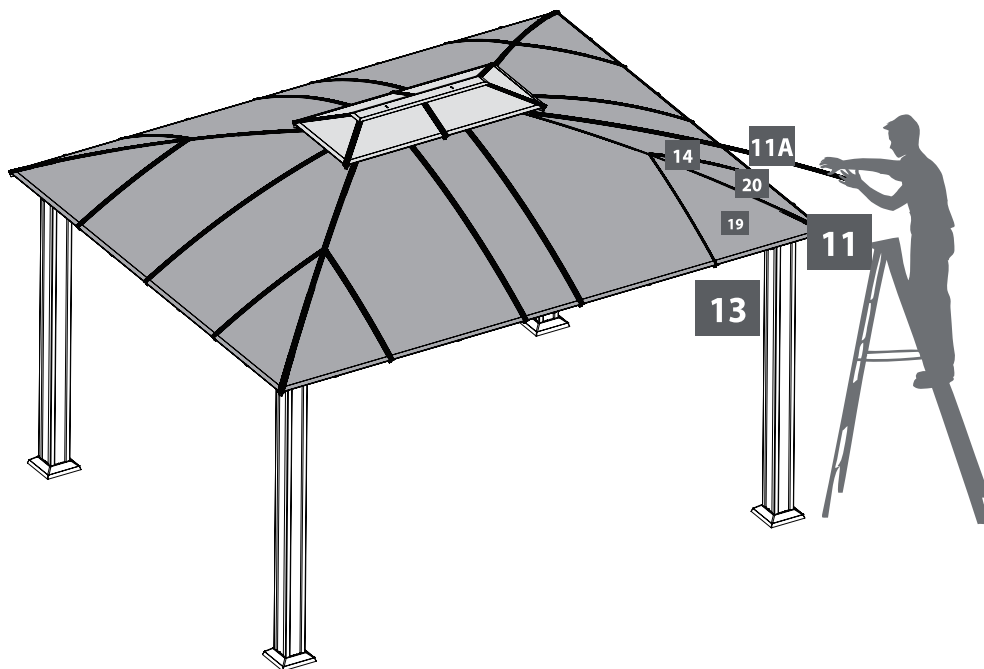
7.H

Continue in a clock-wise direction as shown.

**7.I**

Place the roof panel (19,20) on top of profiles (11,13,14) , fasten with screw (37) to outer roof connector (10) from below.

Place the roof gable profile (11A) on top of roof gable profile (11) , fasten with screw (35) from below of roof gable profile (11).

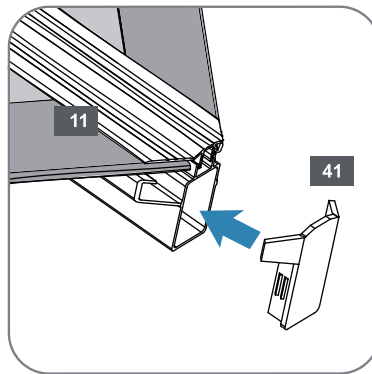
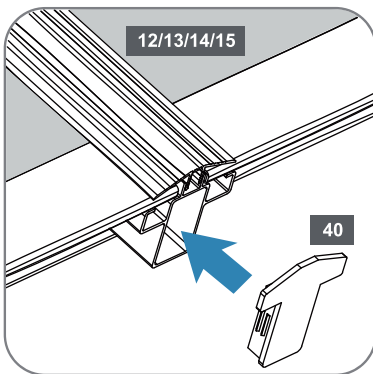


7.J

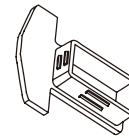
Place the roof gable profile (13A) on top of (13), fasten with screw (35) from below of roof gable profile (13).



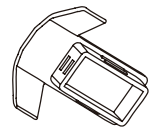
STEP 8 Installing the Plastic Caps



Components



Plastic Cap #1 (40)
x 14

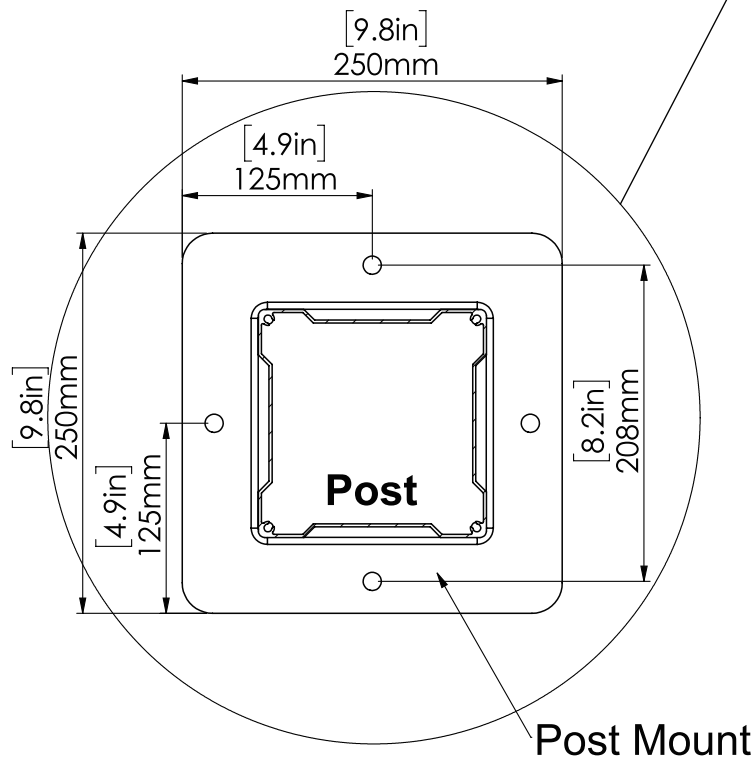
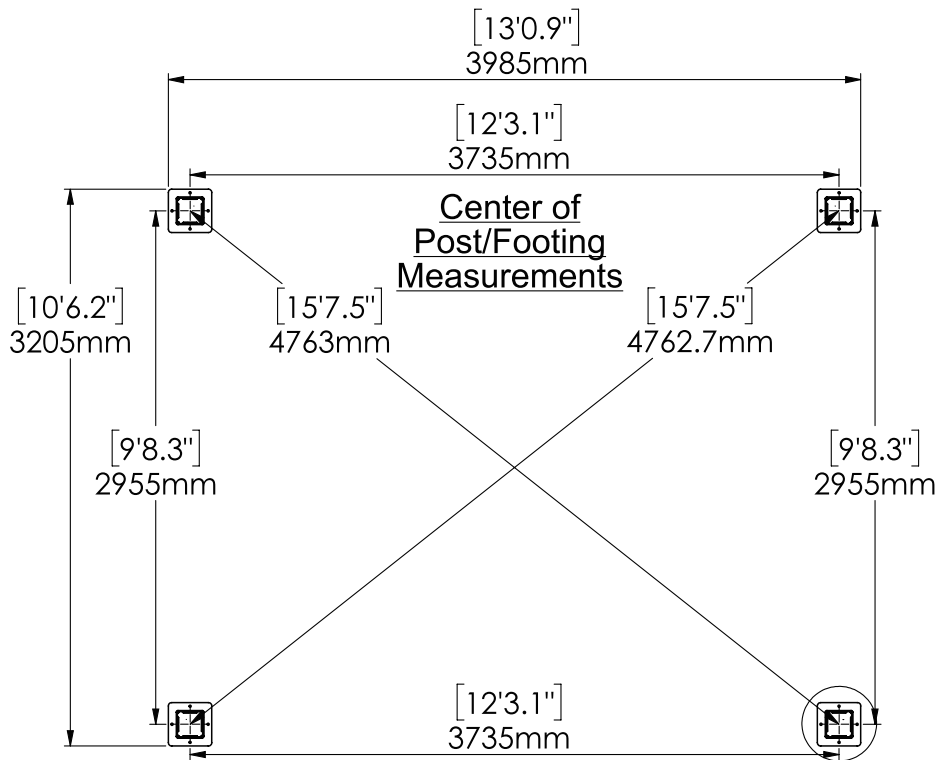
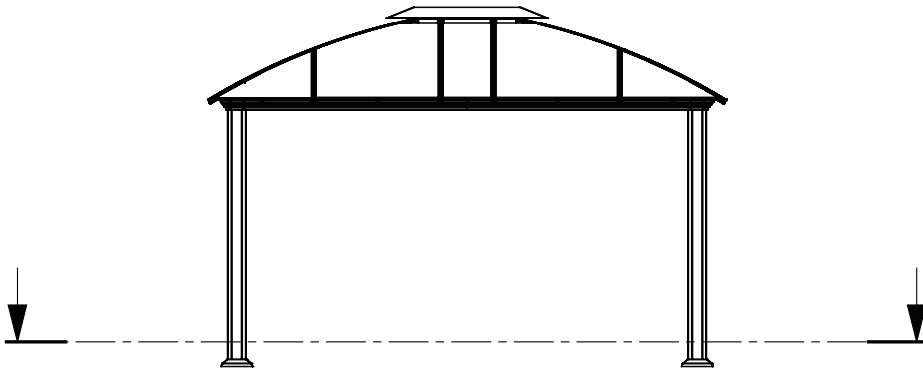


Plastic Cap #2 (41)
x 4

Close off roof profiles (12/13/14/15) with plastic caps #1 (40) and roof profiles (11) with plastic caps #2 (41).

ENJOY YOUR COMPLETED GAZEBO!





Post Detail



Gazebo GZH4-1214BKD


Aluminium Composite Roof Panels

Assembly Instructions


WARRANTY:

Warranty covers damage due to manufacturing defects only for a period of 5 years on the structure, and 5 years on the Aluminum Shell from date of purchase. Warranty does not cover weather inflicted damage and/or damages caused by not following assembly instructions and adhering to warnings in manual. Warranty does not cover user error, negligence, or misuse.

ATTENTION: Roof profiles, roof panels and gables must be aligned properly during assembly to minimize any possibility of leaking.

 **WARNING:** Cancer and Reproductive Harm -
www.P65Warnings.ca.gov.

 **AVERTISSEMENT:** Cancer et Troubles de l'appareil reproducteur -
www.P65Warnings.ca.gov.

 **ADVERTENCIA:** Cáncer y Daño Reproductivo -
www.P65Warnings.ca.gov.



@paragonoutdoorcompany

Paragon Group USA

Customer Service: (877) 782 4482 Email: cs-outdoors@paragongroupusa.com