

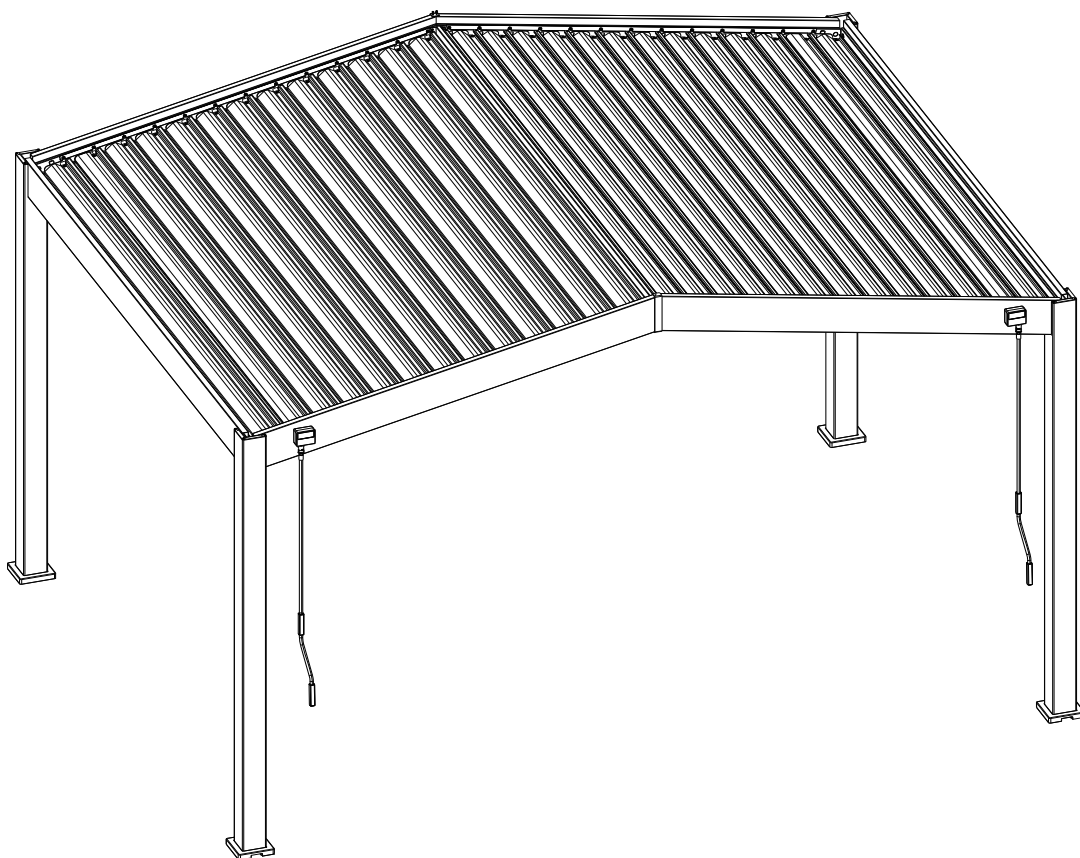
Paragon Outdoor Aluminum Louvered Pergola

10'x13'

Assembly Instructions



Register your pergola at
www.paragon-outdoor.com
for an extra 1 year of coverage!



© f y p @paragonoutdoorcompany

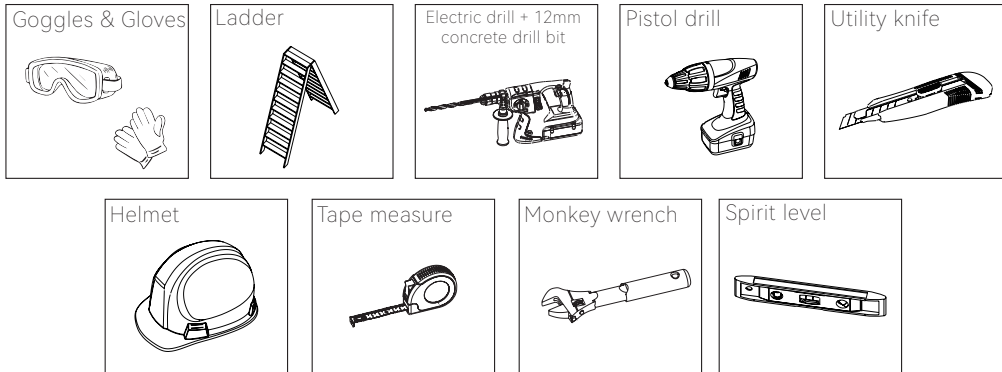
Paragon Group USA

Customer Service Contact Information: 1-877-782-4482
support@paragon-outdoor.com

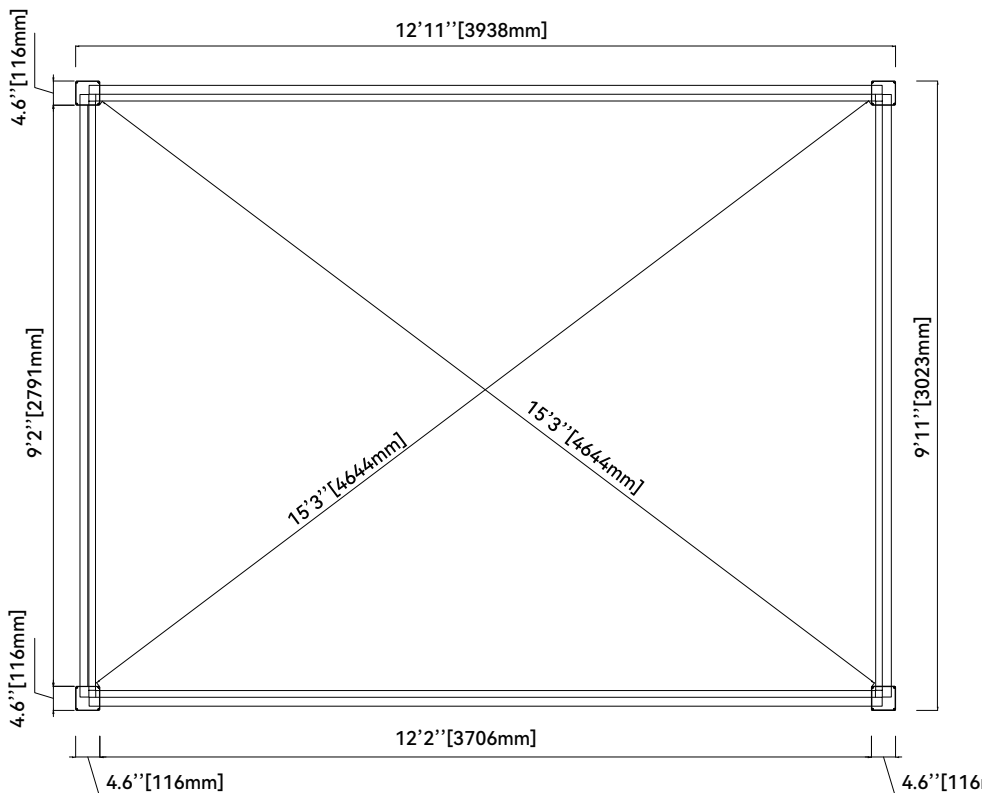
Paragon Outdoor Aluminum Louvered Pergola

Please read the following instructions completely before you begin assembly. Any errors made during installation are not covered by the product's warranty. If you have any questions during the installation process, please call us at 1-877-782-4482.

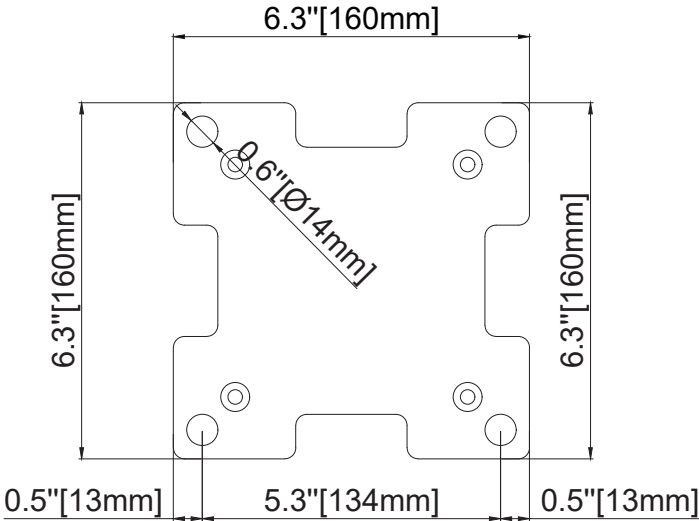
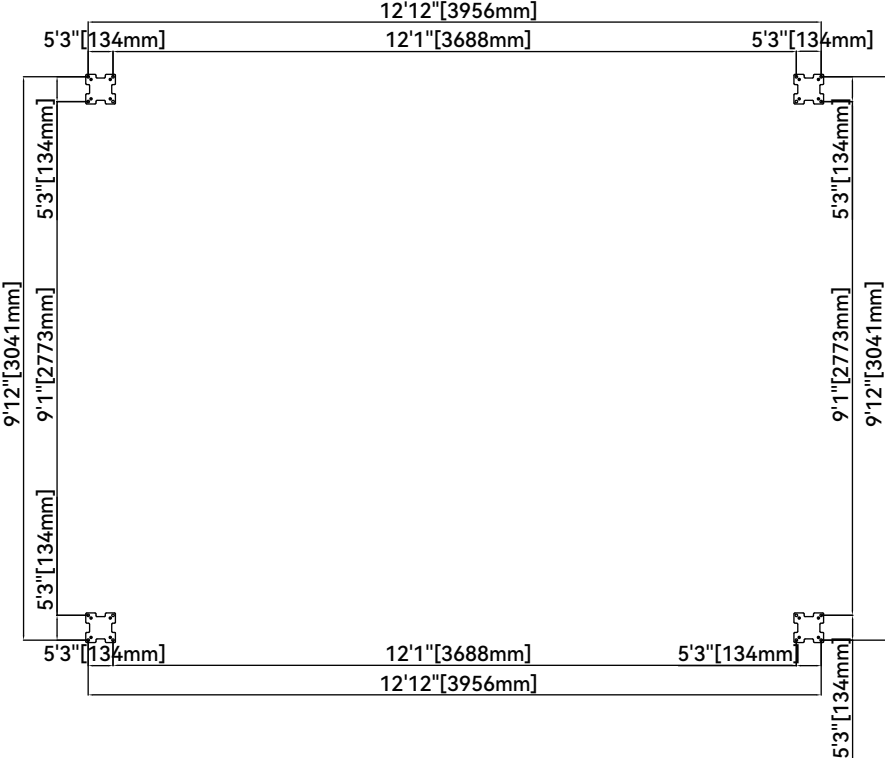
NECESSARY TOOLS AND SAFETY GEAR(NOT SUPPLIED)



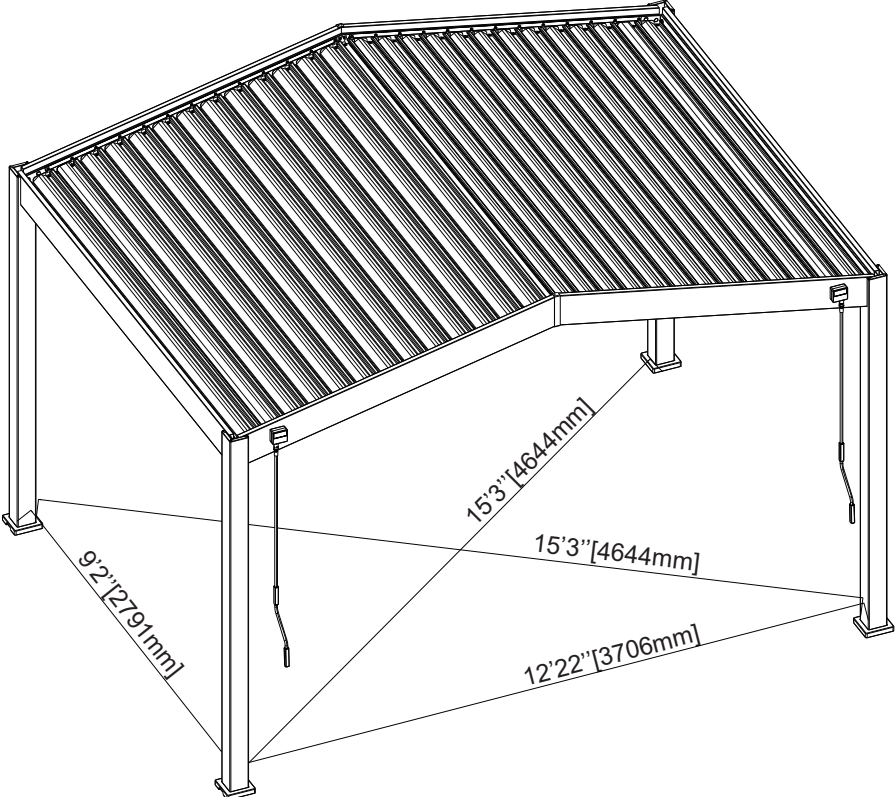
2D FOOTING MEASUREMENT (dimensions in mm)



2D FOOTING MEASUREMENT (dimensions in mm)



3D FOOTING MEASUREMENT (dimensions in mm)



Paragon Outdoor's 4 Year Limited Warranty

Limited Warranty

Paragon Outdoor warrants to the original purchaser that all components and hardware in its products, under normal use and service conditions, will be free from defects in manufacturing and materials for a period of 4 years* from the date of original retail purchase subject to the definitions, terms and conditions contained in this warranty. This warranty period covers all parts including aluminum, steel, hardware and accessories.

Paragon Outdoor will replace any defective part within the warranty period, at its discretion, if it is found to be defective of workmanship or materials. Paragon Outdoor may request photographs, videos, or physical return of the defective part for verification purposes.

Warranty Conditions

1. This warranty shall be valid only if the product is installed, cleaned, handled and maintained in accordance with Paragon Outdoor's written recommendations listed below.
2. Without derogating from the above, damage caused by use of force, incorrect handling, inappropriate use, neglectful use or assembly or maintenance, accidents, impact from foreign objects, vandalism, pollutants, alteration, painting, connecting, gluing, sealing not in accordance with the user's manual, or damage resulting from cleaning with incompatible detergents and minor deviations of the product are not covered by this warranty.
3. This warranty does not apply to damage resulting from "force majeure", which includes but is not limited to, hail, storm, tornado, hurricane, blizzard, flood, or fire effects, beyond stated claims.
4. This warranty is void if structural parts and components used are not compatible with Paragon Outdoor's written recommendations.
5. This warranty applies to the original owner and registrant and is non-transferable.

| SKU/Series/Item | Warranty Duration | Extended Warranty |
|-----------------|-------------------|-------------------|
| PRICON-1013GY | 4 years | + 1 year |

*Extended warranty is applied when product is registered on www.paragon-outdoor.com within 1 month of purchase.

Operation: Pergolas

1. These are four-season products, meaning that they may be left up year-round. However, any accumulation of snow must always be removed from the roof of the unit.
2. The unit must be anchored using the appropriate hardware based on the flooring in which it is being anchored to.
3. Check all hardware for tightness before and during usage of the unit. Tighten screws at least twice a year.
4. The maximum weight allowance for an accessory attached to the center beam is 55 lbs.

Planning Assembly

1. It is the consumer's responsibility to comply with building rules, regulations, zoning restrictions or any other regional restrictions and obtain the required permits before purchasing the product and installing it.
2. Make sure that every part is in the box before beginning installation.
3. Some parts may have sharp edges; it is recommended to wear gloves, protective eyewear and closed shoes.
4. You must schedule enough time to complete assembly as you cannot leave the product unattended if it is not fully assembled, even if bolted to the ground.
5. A minimum of 3 people are required for a safe assembly of the product. This will vary depending on certain steps of installation.
6. Follow each instruction manual carefully to ensure the strength of the product.
7. To avoid damage to the product and its part, use the proper tools. Do not use the product as a support. The use of a ladder may be necessary at certain stages of assembly.
8. Keep the instruction manual and the parts list in case of future needs or references.
9. Do not assemble the product on days of wind or rain.

Maintenance

1. In case of a defective part or if a problem occurs while using this product, please contact Paragon Outdoor Customer Service at (877) 782-4482.
2. To order replacement parts, identify the model number and the part number found in your assembly manual.
3. Optional accessories may be available for your product such as mosquito nets, curtains, canopy replacements or more. Please contact your retailer for more information.

Safety Information

IT IS VERY IMPORTANT TO READ AND FOLLOW ALL SAFETY PRECAUTIONS BEFORE ASSEMBLY AND DURING USE OF THE PRODUCT.

1. Keep children and pets away from assembly area.
2. When assembling and using the product, basic safety precautions must always be followed to reduce risks of personal injuries and damages to the product and its surroundings.
3. Ensure that all parts are in the boxes before starting the assembly. It is recommended to wear protective gloves since some of the parts have sharp edges.
4. Begin the assembly and install the product more than 10 ft. away from any obstructions including, but not limited to, a fence, overhanging branches, a laundry line or electrical wire and as much as possible in a place protected from the wind.
5. Always install the product on a level platform and be anchored according to the surface recommendations in the assembly instructions.
6. Check all hardware for tightness before and during the use of the product. Tighten screws at least twice a year.
7. Do not install the product in a space where there is a possibility of high winds.

Care and Cleaning

1. For cleaning: use a mild soap or soft detergent and wash with warm water using a sponge or fabric cloth. Rinse with clean water.
2. Snow must always be removed from the roof of the unit.

Customer Service Contact

If you are experiencing any issues with the assembly of your new structure, please do not return – our expert customer service team will help you with all questions for a smooth assembly process.

Email: support@paragon-outdoor.com

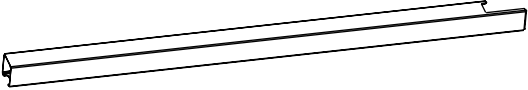
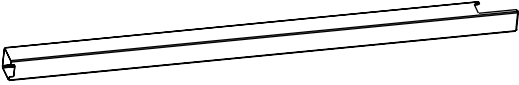
Call: +1 (877) 782-4482



Hours of Operation



Speak with an Expert Customer Service Agent: Monday – Friday: 8:00 am – 5:00 pm CST

We are available 24 hours a day, 7 days a week. Please allow up to 24 hours for a response.









CARTON 1/4


| REF | ICON | QTY |
|-----|---|-----|
| A |  | 2 |
| A2 |  | 2 |

| REF | ICON | QTY |
|-----|---|-----|
| Q1 |  | 4 |
| Q2 |  | 4 |

| REF | ICON | QTY |
|-----|---|-----|
| Q15 |  10x80 | 16 |
| Q20 |  6x35 4mm | 16 |

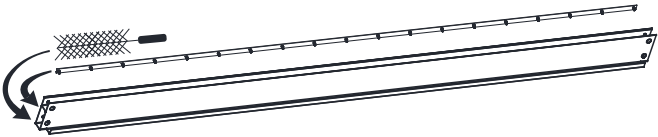
CARTON 2/4

| REF | ICON | QTY |
|-----|--|-----|
| B1 |  | 1 |
| B2 |  | 1 |
| B3 |  | 1 |
| B4 |  | 1 |
| C |  | 2 |
| C1 |  | 1 |
| F |  | 4 |
| H |  | 2 |

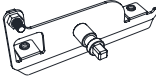
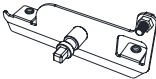
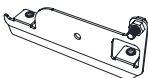
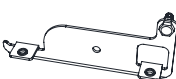


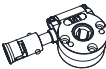


















ATTENTION!

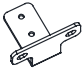

Connecting Bar(F) & Brush Inside!

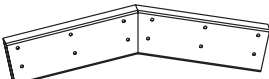


CARTON 2/4





| REF | ICON | QTY |
|-----|---|-----|
| K1 |  | 1 |
| K2 |  | 1 |
| K3 |  | 25 |
| K4 |  | 25 |
| Q6 |  | 50 |
| Q7 |  | 24 |
| Q8 |  | 2 |
| Q9 |  | 2 |
| Q10 |  | 24 |
| Q11 |  | 2 |


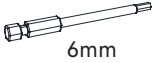


| REF | ICON | QTY |
|-----|---|-----|
| Q12 |  | 52 |
| Q13 |  | 52 |
| Q14 |  5x6 | 104 |
| Q16 |  lock nut | 54 |
| Q17 |  | 50 |
| Q18 |  | 4 |
| Q19 |  6x35  4mm | 50 |
| Q21 |  6x45 | 6 |
| Q24 |  | 50 |
| Q25 |  6x18  4mm | 32 |
| Q26 |  4x16 | 4 |

| REF | ICON | QTY |
|-----|---|-----|
| L1 |  | 2 |
| L2 |  | 2 |

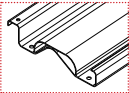

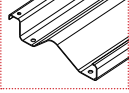

| REF | ICON | QTY |
|-----|--|-----|
| L3 |  | 2 |

CARTON 2/4

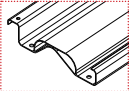

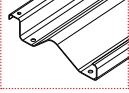

| REF | ICON | QTY |
|-----|---|-----|
| Z1 |  3mm | 1 |
| Z2 |  3mm | 1 |
| Z3 |  4mm | 1 |
| Z4 |  4mm | 1 |

| REF | ICON | QTY |
|-----|---|-----|
| Z5 |  6mm | 1 |
| Z6 |  6mm | 1 |
| Z7 |  10mm | 1 |
| Z8 |  PH2 | 1 |

CARTON 3/4

| REF | ICON | QTY |
|-----|---|-----|
| G1 |   | 1 |
| G |   | 12 |

CARTON 4/4

| REF | ICON | QTY |
|-----|---|-----|
| G1 |   | 1 |
| G |   | 12 |

ASSEMBLY GUIDELINES

Step 1 : Assembling louvers

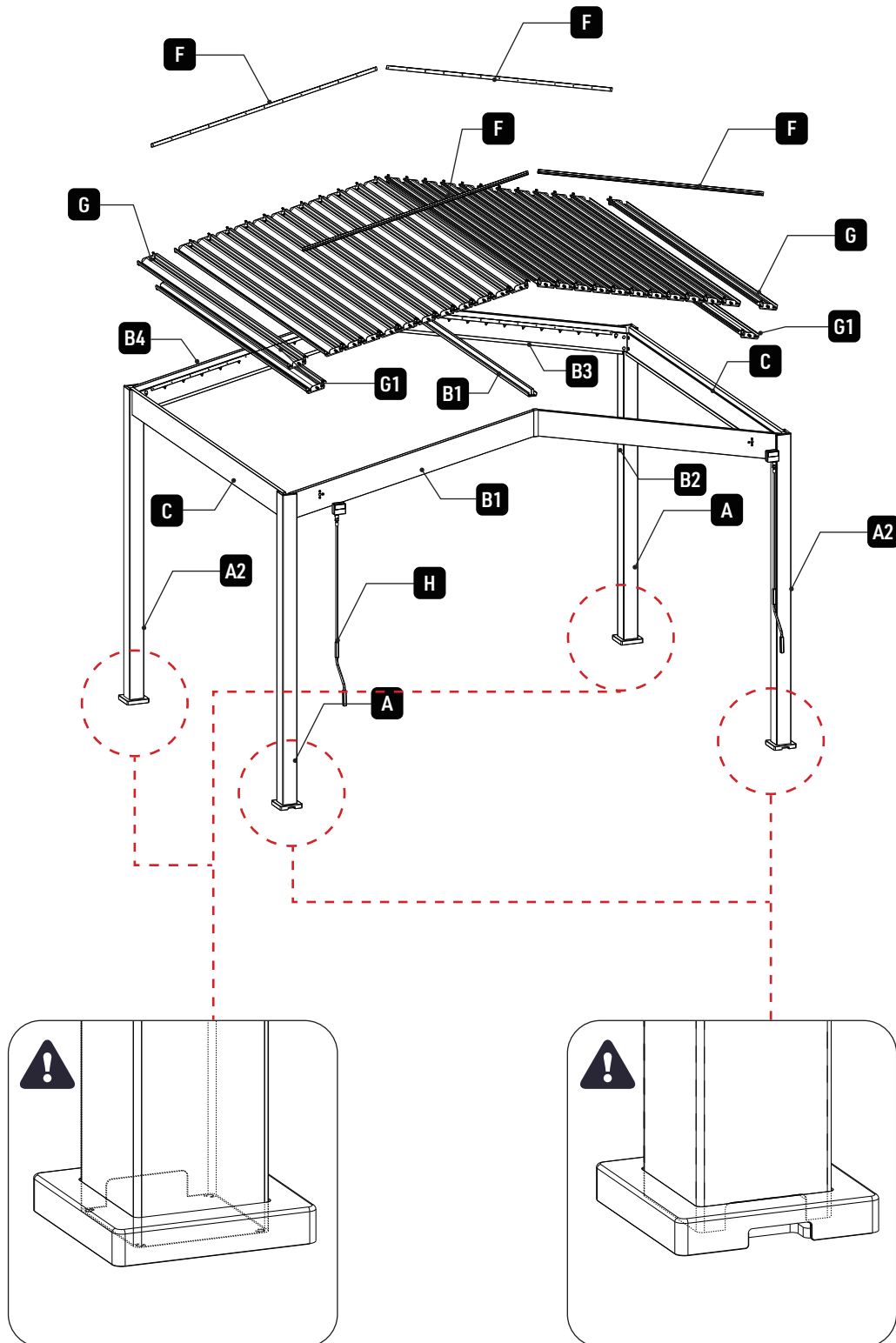
Step 2 : Frame

Step 3 : Install louvers & Connection



ASSEMBLY GUIDELINES




Attention:

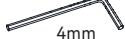
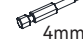

Please note that the outlet on the skirt should be in the front position for the front side, while for the rear side, the outlet is a mirror image of the front face.



1 Assemble louvers

| REF | ICON | QTY |
|-----|---|-----|
| K3 |  | 25 |
| K4 |  | 25 |

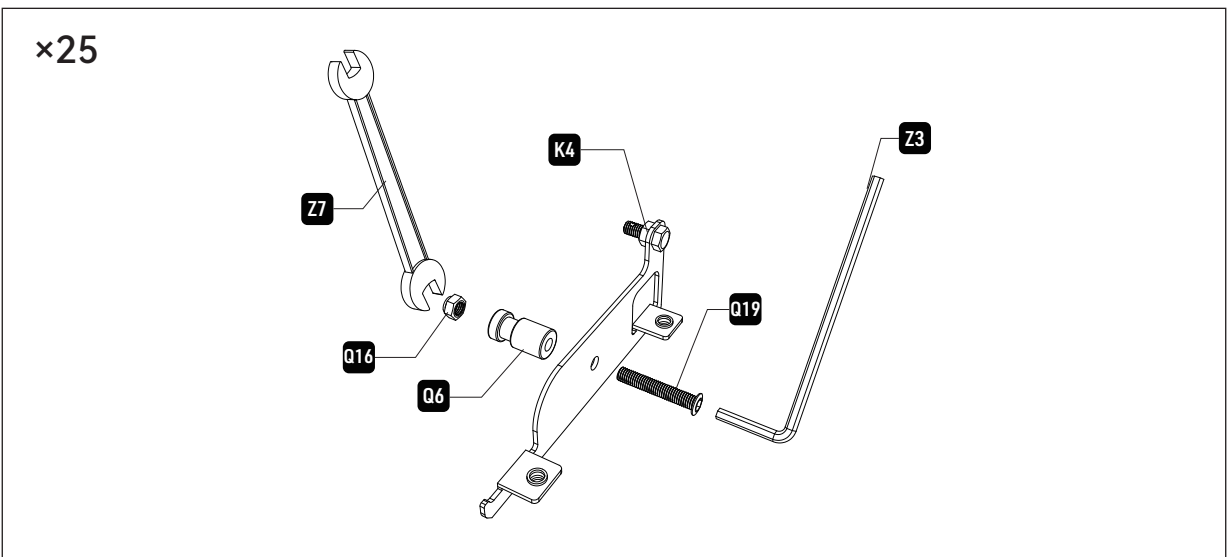
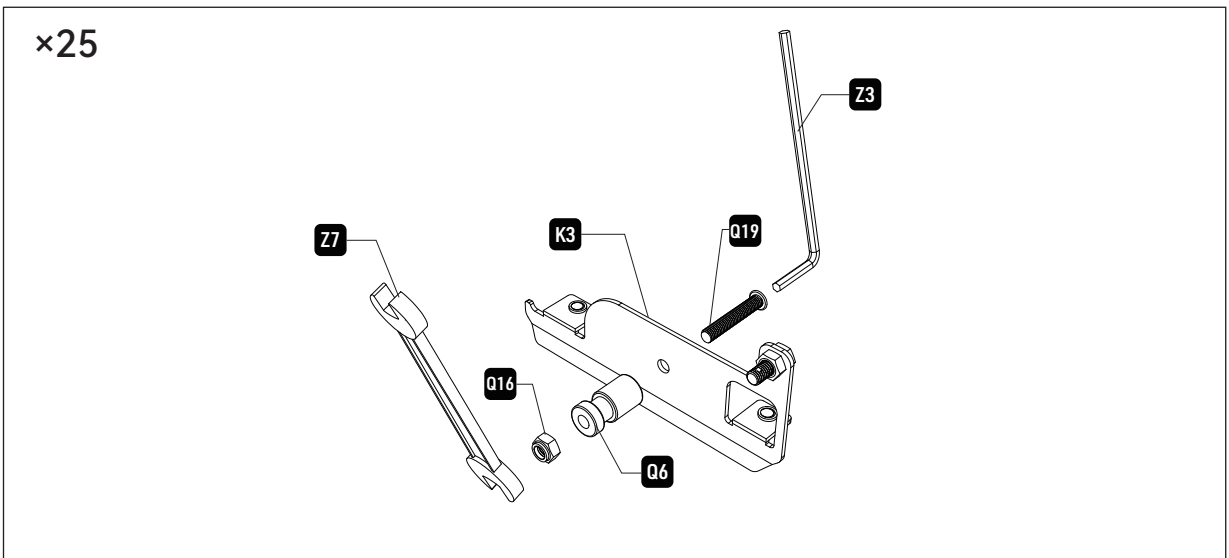
| REF | ICON | QTY |
|-----|---|-----|
| Q6 |  | 50 |
| Q16 |  lock nut | 50 |
| Q19 |  6x35 4mm | 50 |

| REF | ICON | QTY |
|-----|--|-----|
| Z3 |  4mm | 1 |
| Z4 |  4mm | 1 |
| Z7 |  10-12mm | 1 |



The illustration uses a manual wrench, which can be replaced with an electric P-tip.

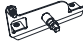
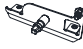


Install the spindles for the louver cover on both sides of the louvers.



Note: To avoid any broken of the plastic parts(MO), When using electril drill, please reduce the twisting force of it.



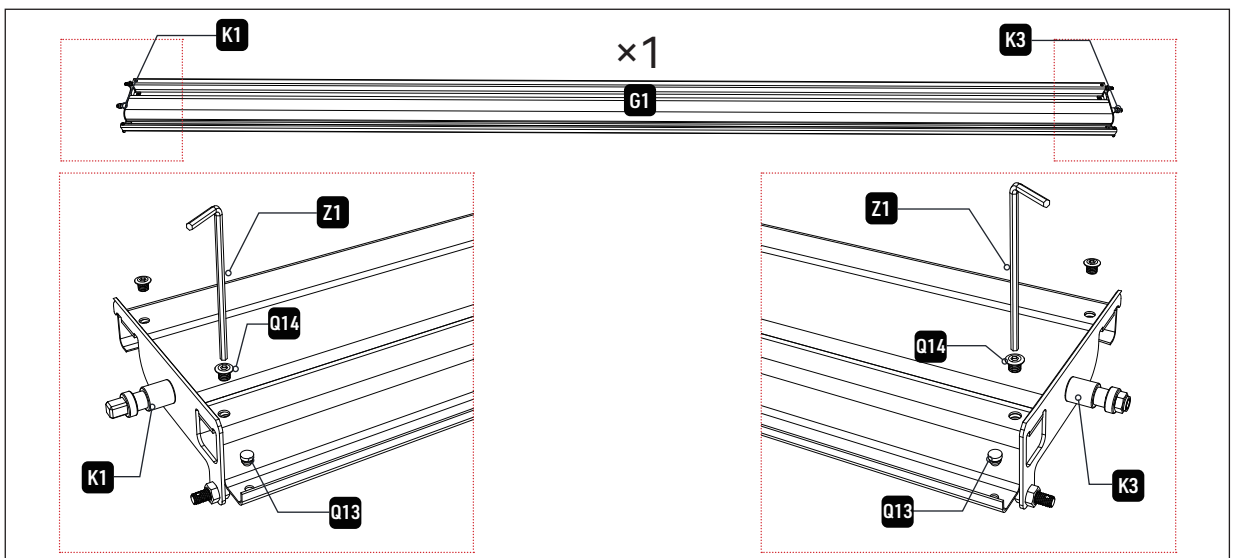
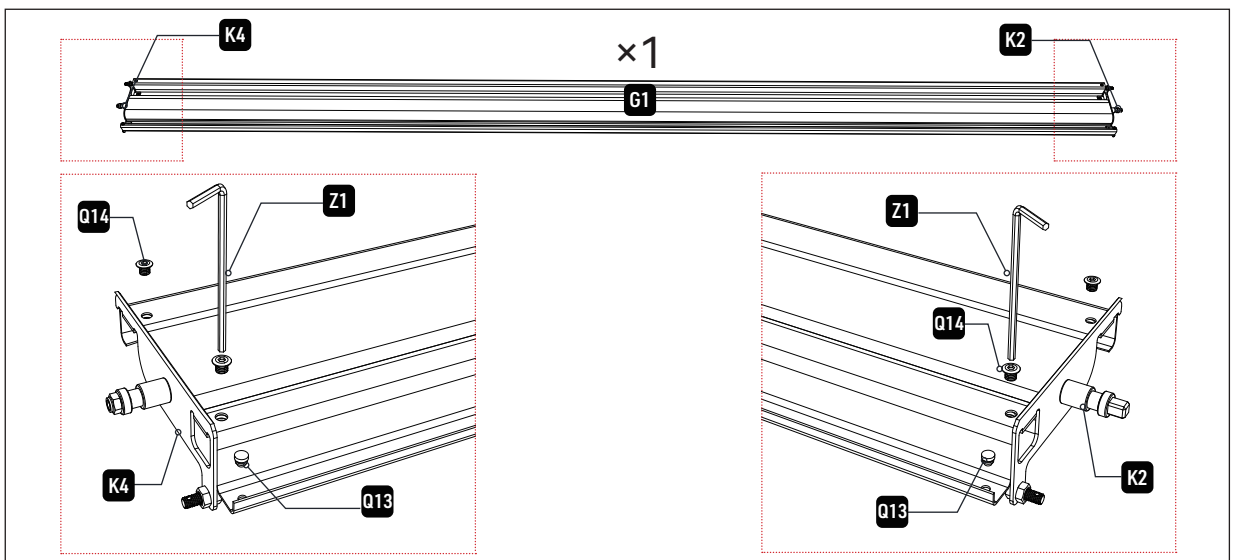
1 Assemble louvers

| REF | ICON | QTY |
|-----|---|-----|
| G1 |  | 2 |
| G |  | 24 |

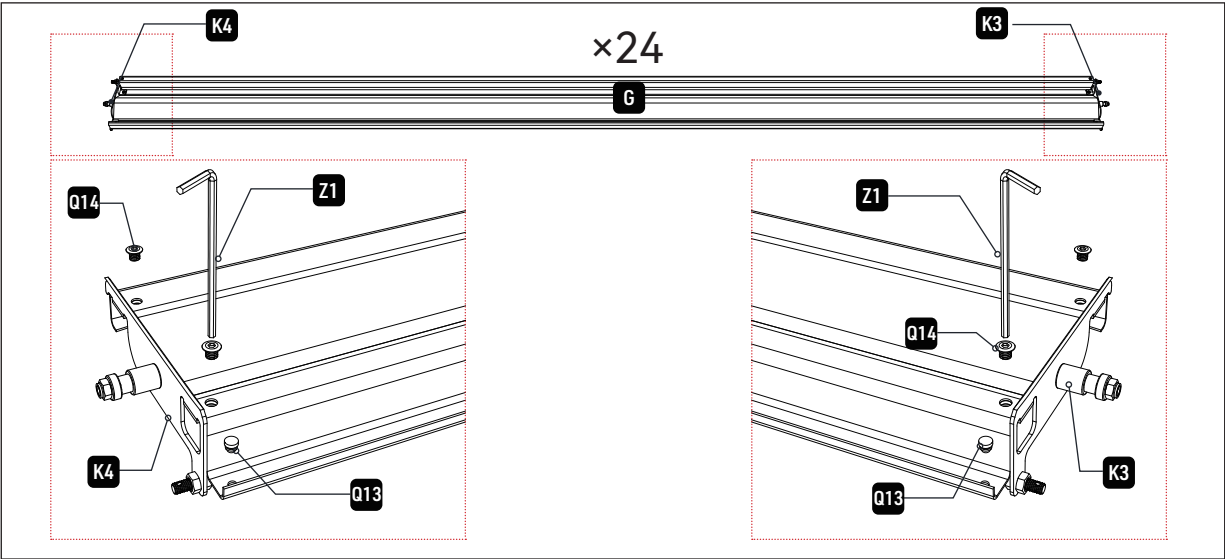
| REF | ICON | QTY |
|-----|---|-----|
| K1 |  | 1 |
| K2 |  | 1 |
| Q13 |  | 52 |
| Q14 |  | 104 |

| REF | ICON | QTY |
|-----|---|-----|
| Z1 |  | 1 |
| Z2 |  | 1 |



Install the louver cover on both sides of the installed louvers and the spindle louver cover on both sides of the louvres.








1 Assemble louvers



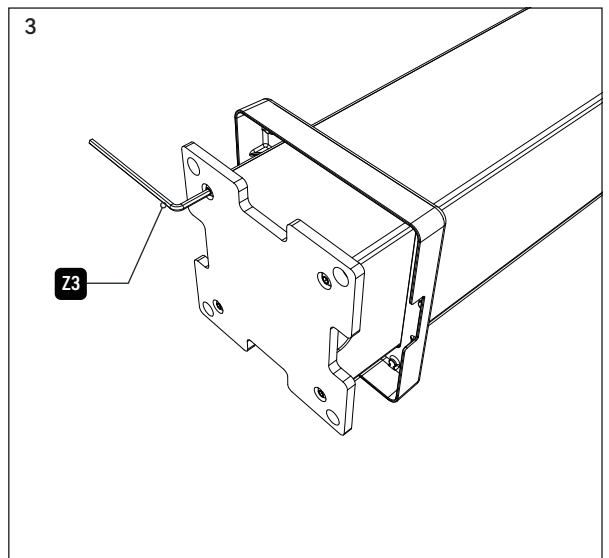
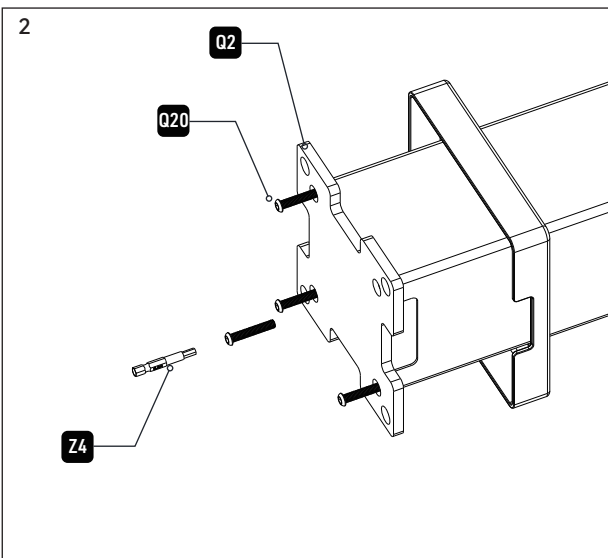
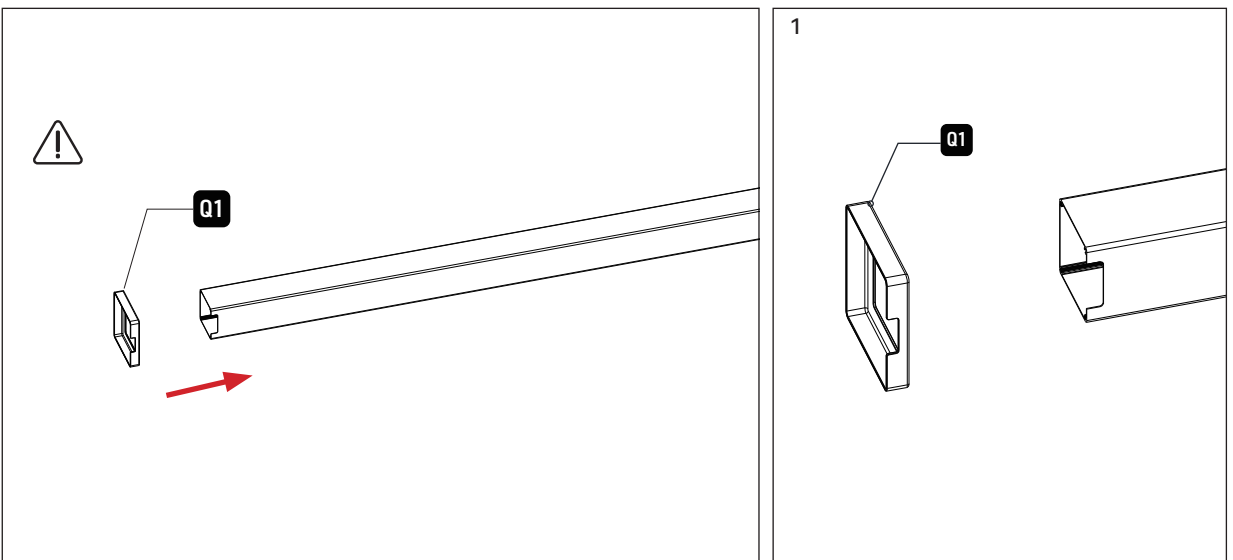
2 Frame

| REF | ICON | QTY |
|-----|---|-----|
| A |  | 2 |
| A2 |  | 2 |



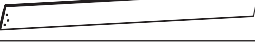
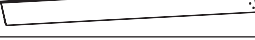
| REF | ICON | QTY |
|-----|---|-----|
| Q1 |  | 4 |
| Q2 |  | 4 |
| Q20 |  | 16 |



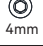
| REF | ICON | QTY |
|-----|---|-----|
| Z3 |  | 1 |
| Z4 |  | 1 |

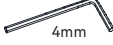

Install the post skirt first, put the notch of the post skirt against the notch of the post, and then install the base plate to fix it to the bottom surface of the post.



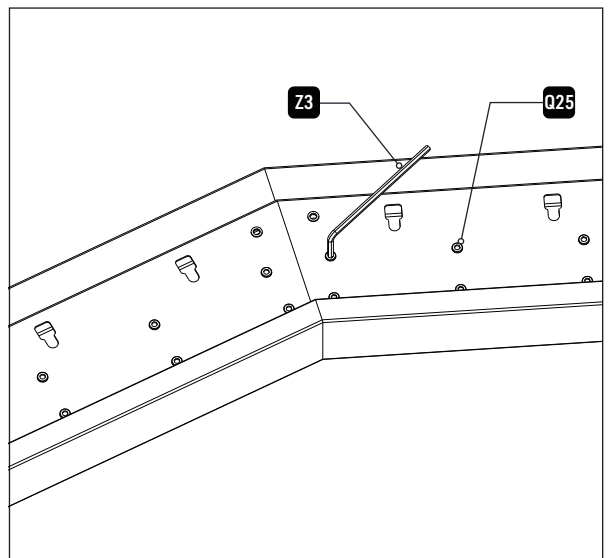
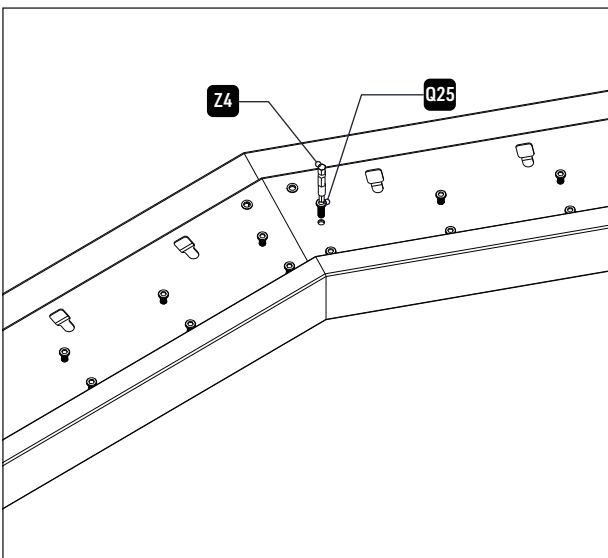
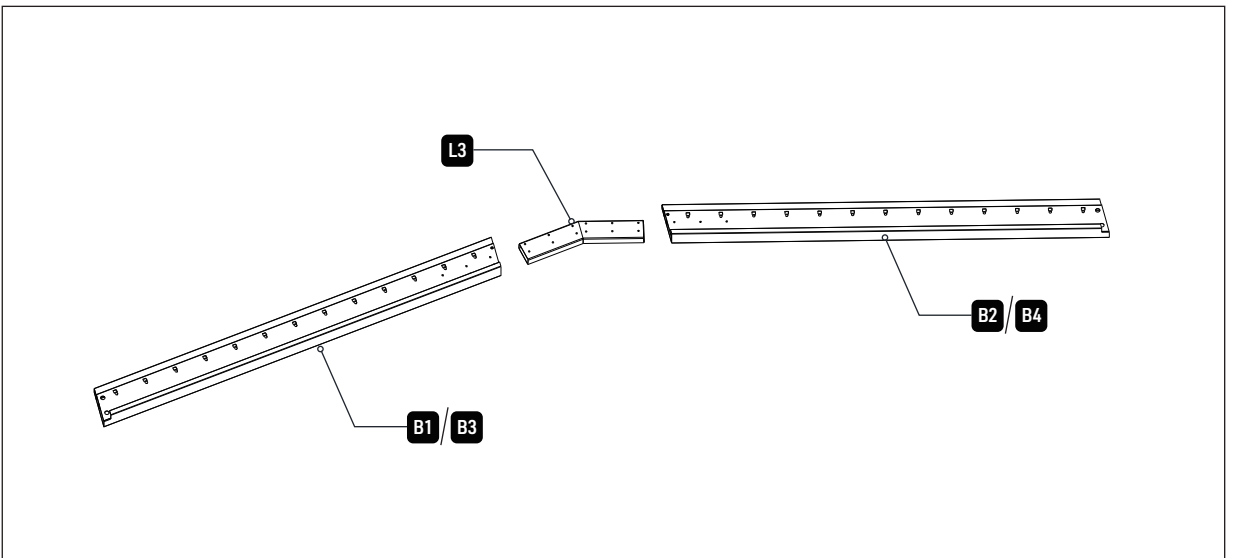
2 Frame

| REF | ICON | QTY |
|-----|---|-----|
| B1 |  | 1 |
| B2 |  | 1 |
| B3 |  | 1 |
| B4 |  | 1 |

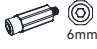
| REF | ICON | QTY |
|-----|--|-----|
| L3 |  | 2 |
| Q25 |  6x18  4mm | 24 |

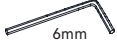

| REF | ICON | QTY |
|-----|---|-----|
| Z3 |  4mm | 1 |
| Z4 |  4mm | 1 |

Placing the beam flat on the ground, complete the installation.

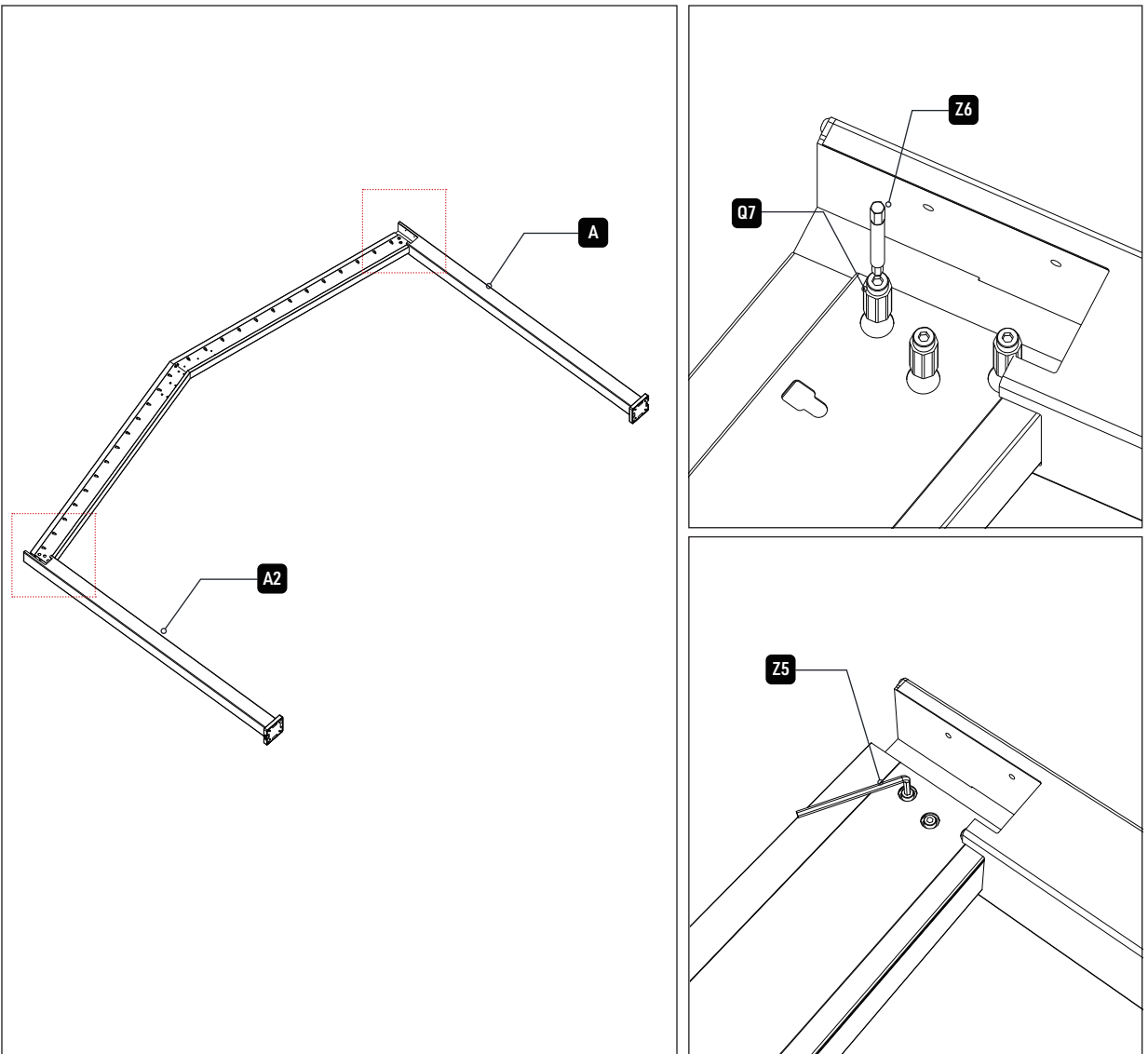


2 Frame

| REF | ICON | QTY |
|-----|---|-----|
| Q7 |  6mm | 12 |

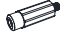

| REF | ICON | QTY |
|-----|---|-----|
| Z5 |  6mm | 1 |
| Z6 |  6mm | 1 |

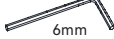
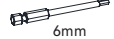
Placing the post flat on the ground, complete the installation of the side beams.



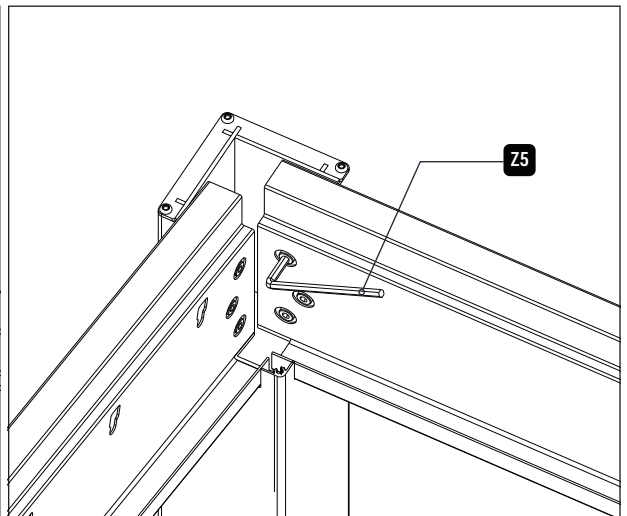
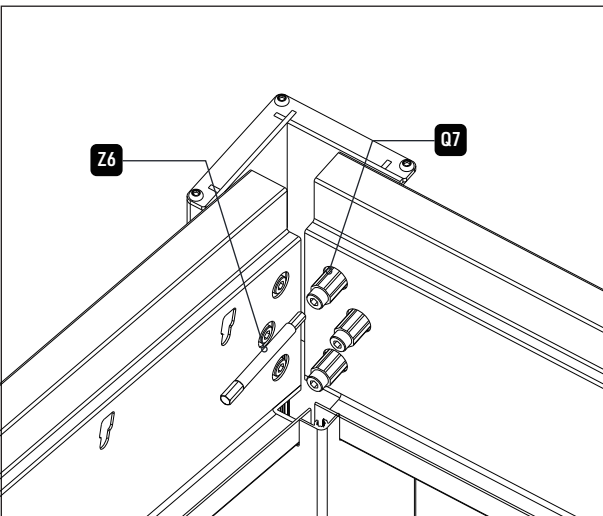
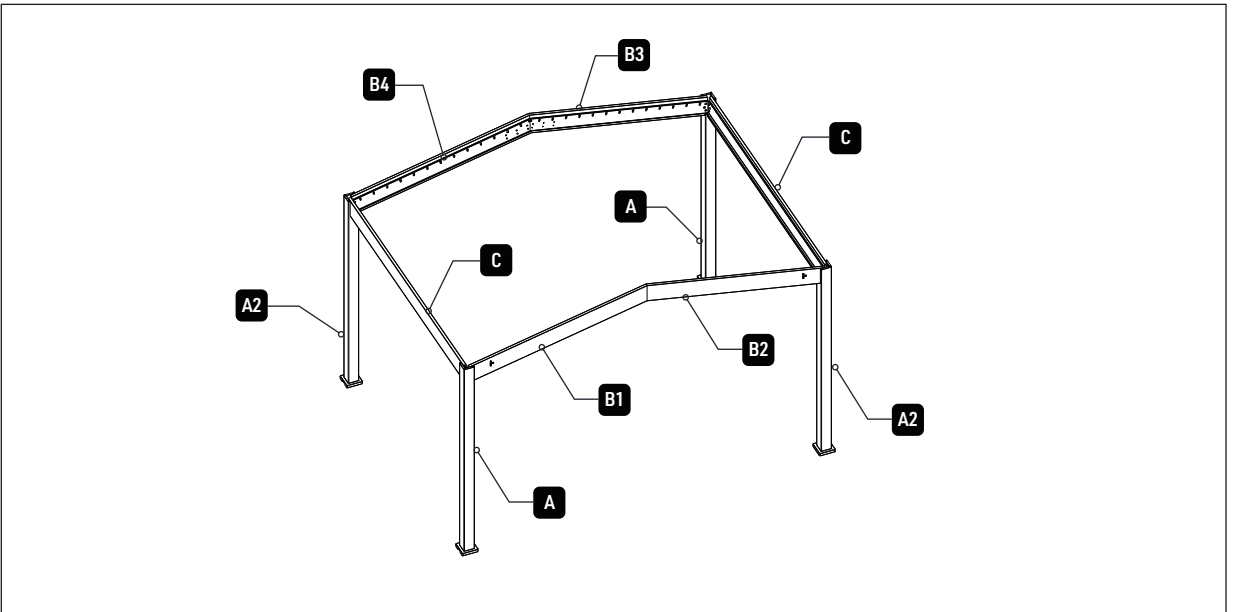
2 Frame

| REF | ICON | QTY |
|-----|---|-----|
| C |  | 2 |


| REF | ICON | QTY |
|-----|--|-----|
| Q7 |   6mm | 12 |



| REF | ICON | QTY |
|-----|--|-----|
| Z5 |  6mm | 1 |
| Z6 |  6mm | 1 |

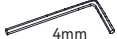

Put up the completed side beams and then install the main beams at each end.



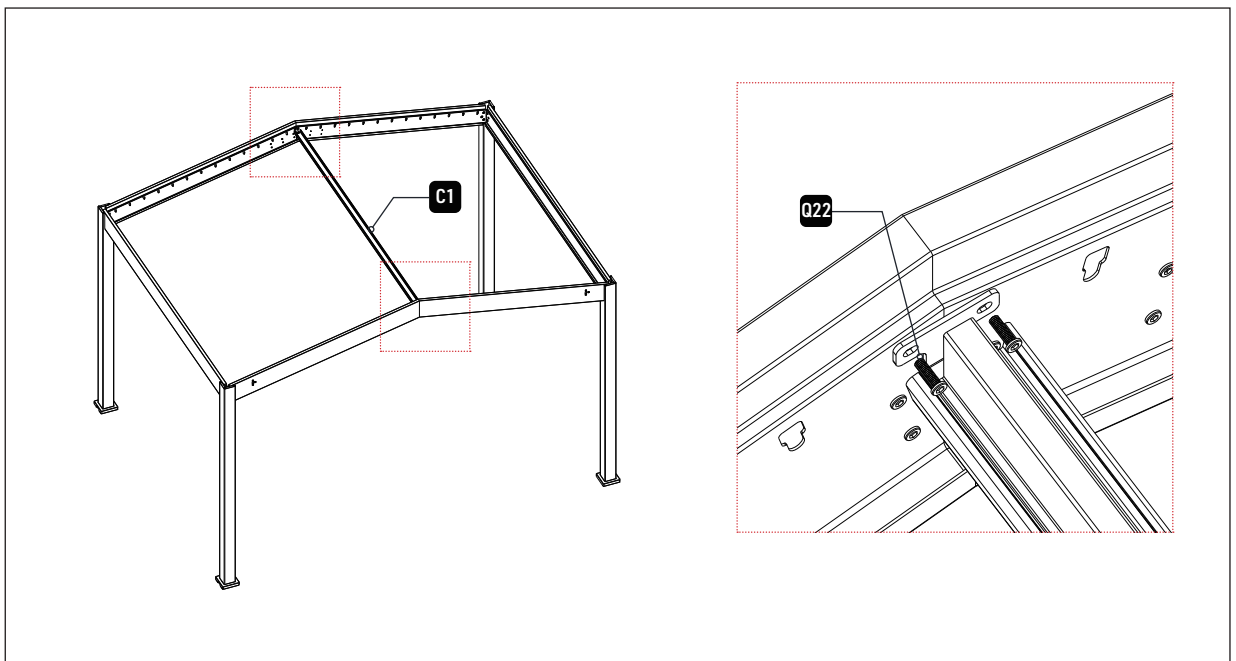
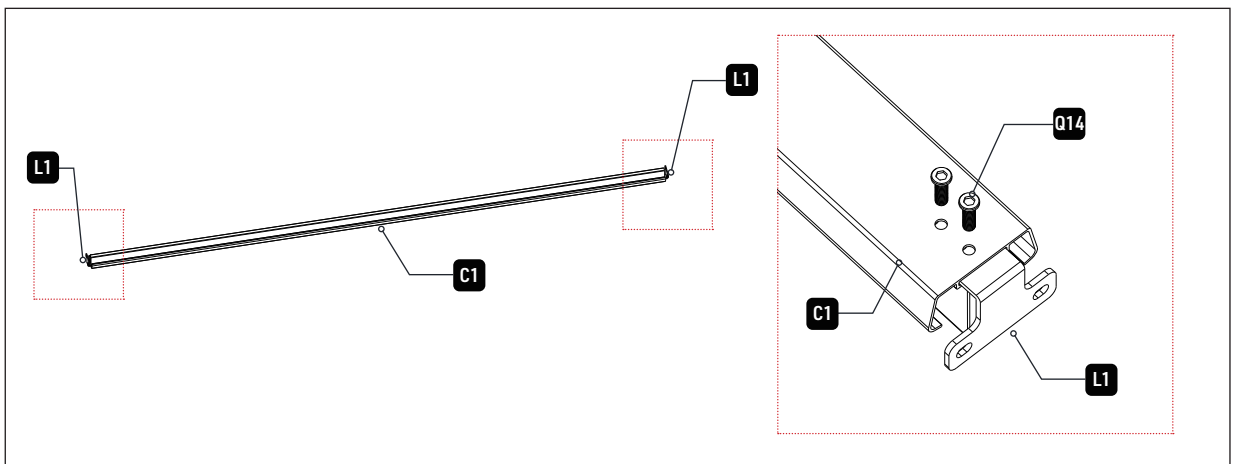
2 Frame

| REF | ICON | QTY |
|-----|---|-----|
| C1 |  | 1 |

| REF | ICON | QTY |
|-----|---|-----|
| L1 |  | 2 |
| Q25 |  | 8 |

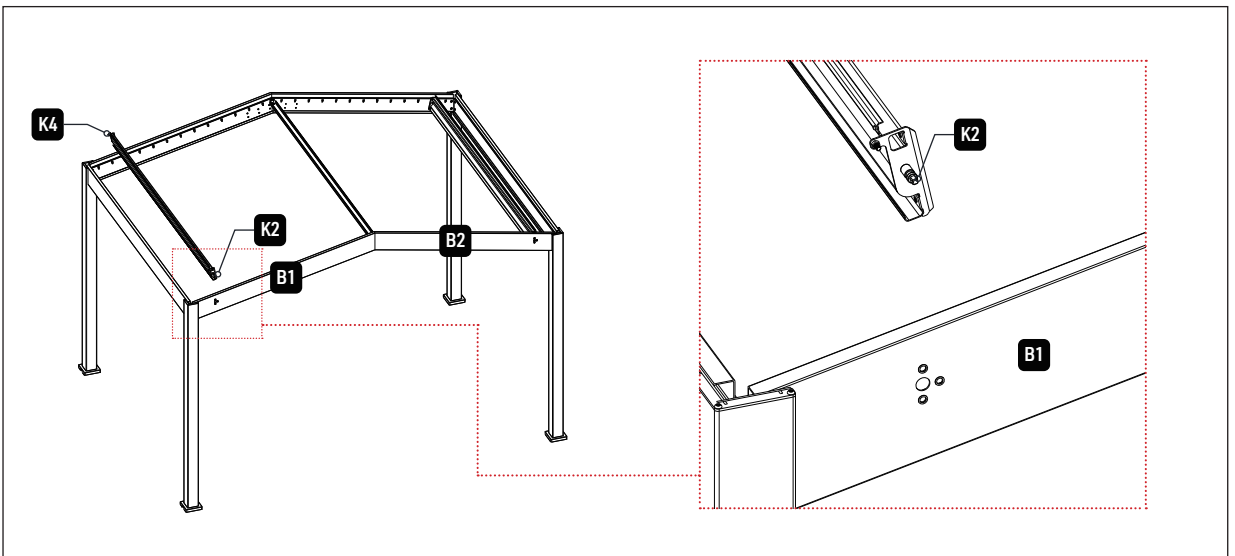
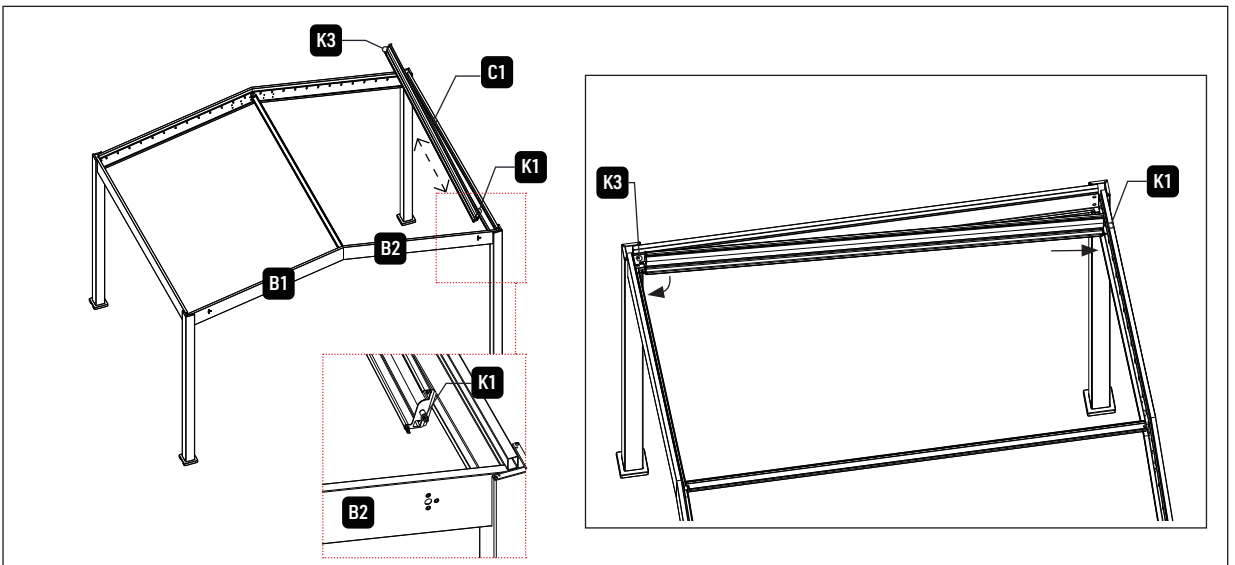
| REF | ICON | QTY |
|-----|---|-----|
| Z3 |  | 1 |
| Z4 |  | 1 |

Placing the post flat on the ground, complete the installation of the beams.




3 Install louvers & Connection

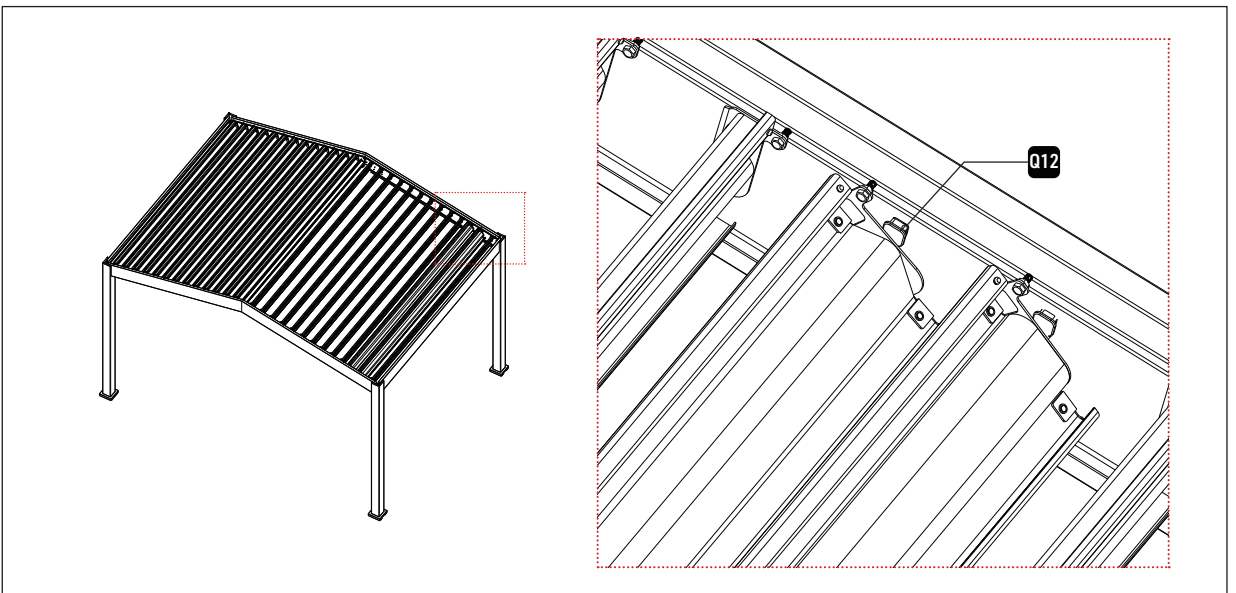
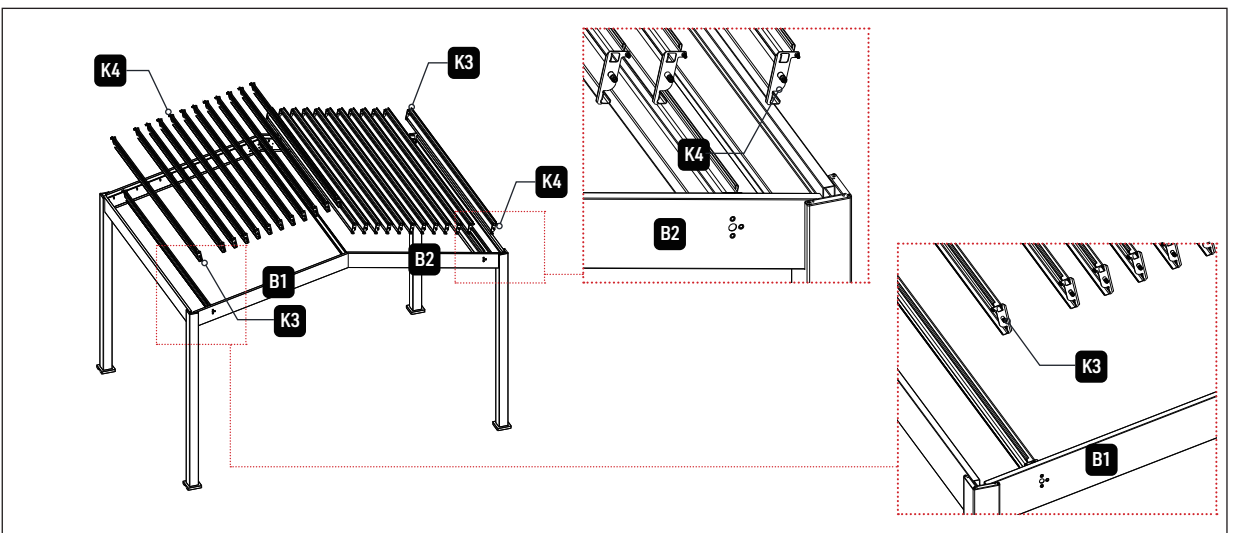
Install the louvers with spindles first, placing one side completely into the hole cut in the beam and then the other end.




3 Install louvers & Connection





| REF | ICON | QTY |
|-----|---|-----|
| Q12 |  | 52 |



Install the louvers with spindles first, placing one side completely into the hole cut in the beam and then the other end.



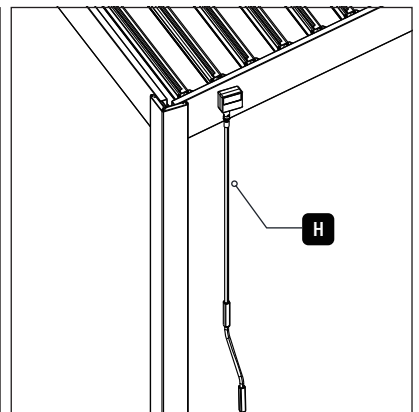
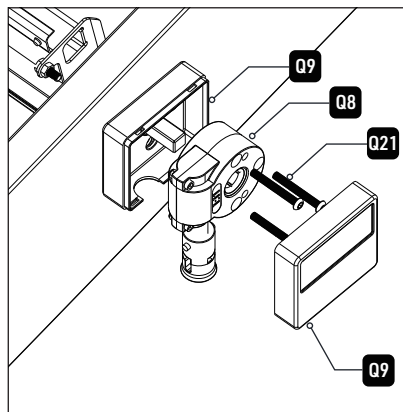
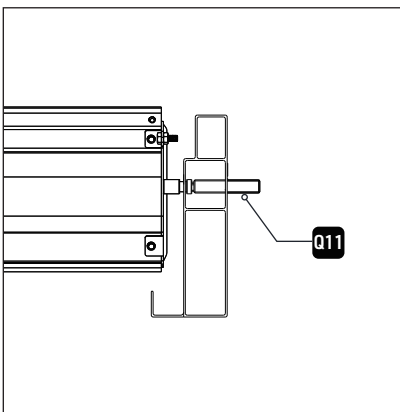
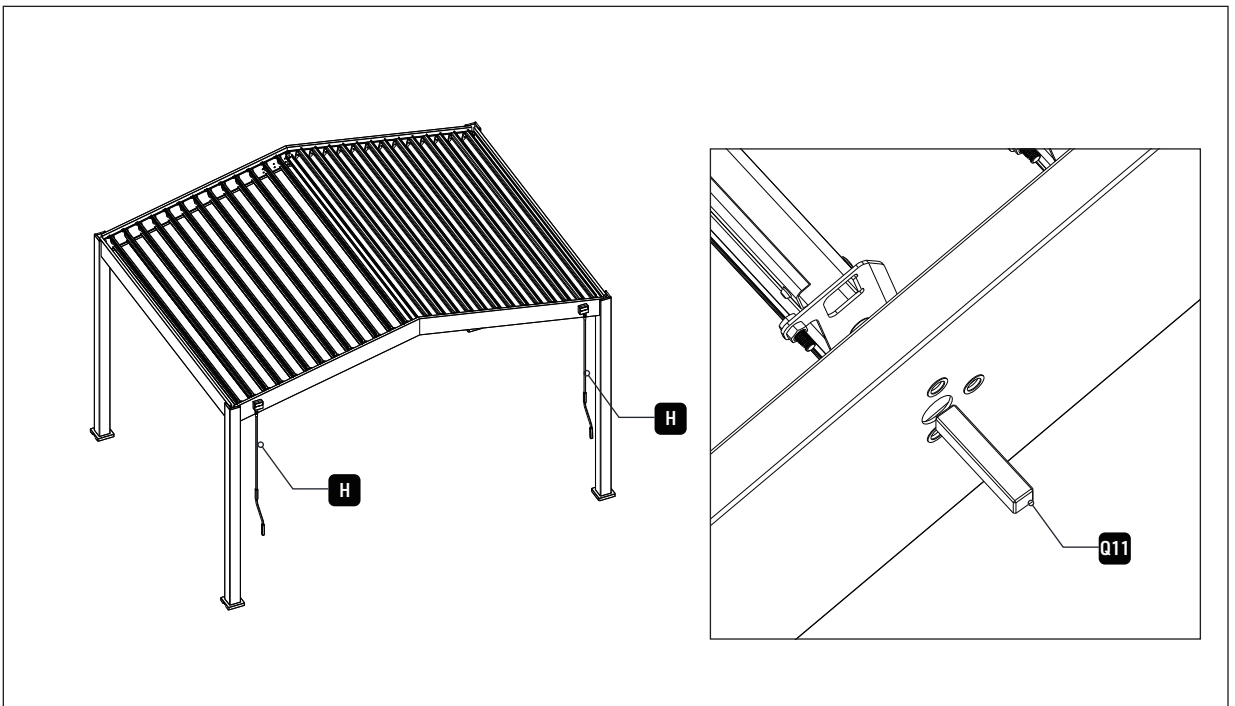
3 Install louvers & Connection

| REF | ICON | QTY |
|-----|---|-----|
| H |  | 2 |


| REF | ICON | QTY |
|-----|---|-----|
| Q8 |  | 2 |
| Q9 |  | 2 |
| Q11 |  | 2 |
| Q21 |  | 6 |



| REF | ICON | QTY |
|-----|---|-----|
| Z3 |  | 1 |
| Z4 |  | 1 |

Locate the openings on the outside of the main beam and attach the holes of the connectors to the spindle, then install the plastic case and gearbox.

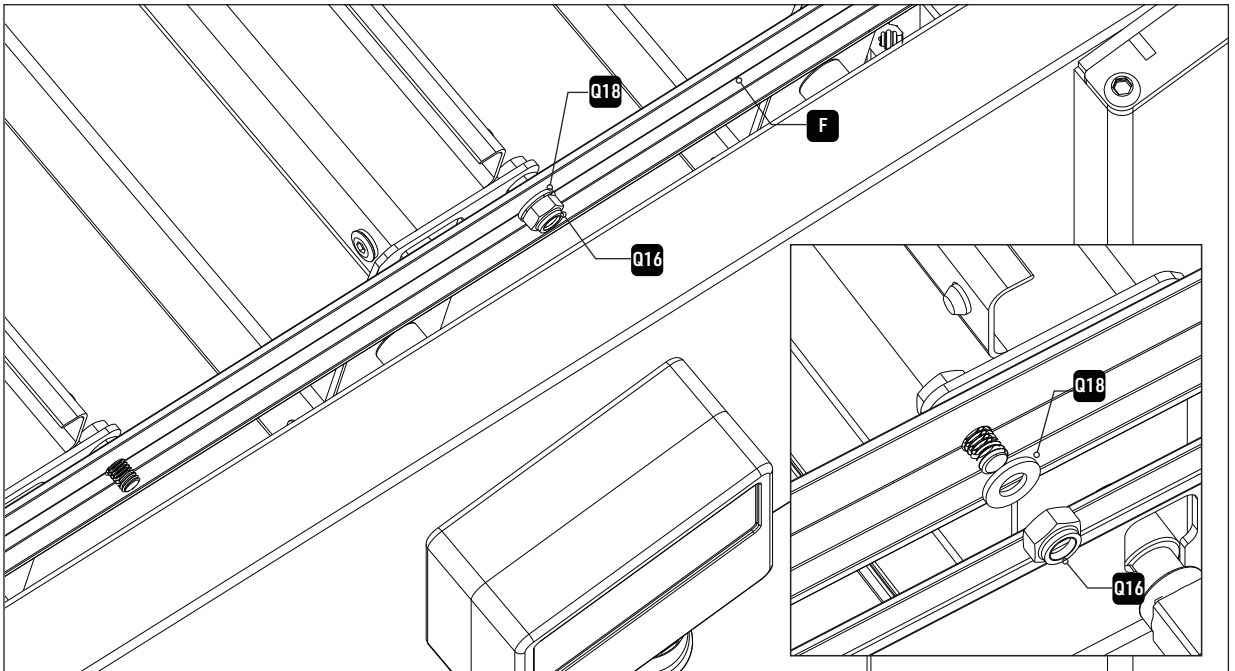
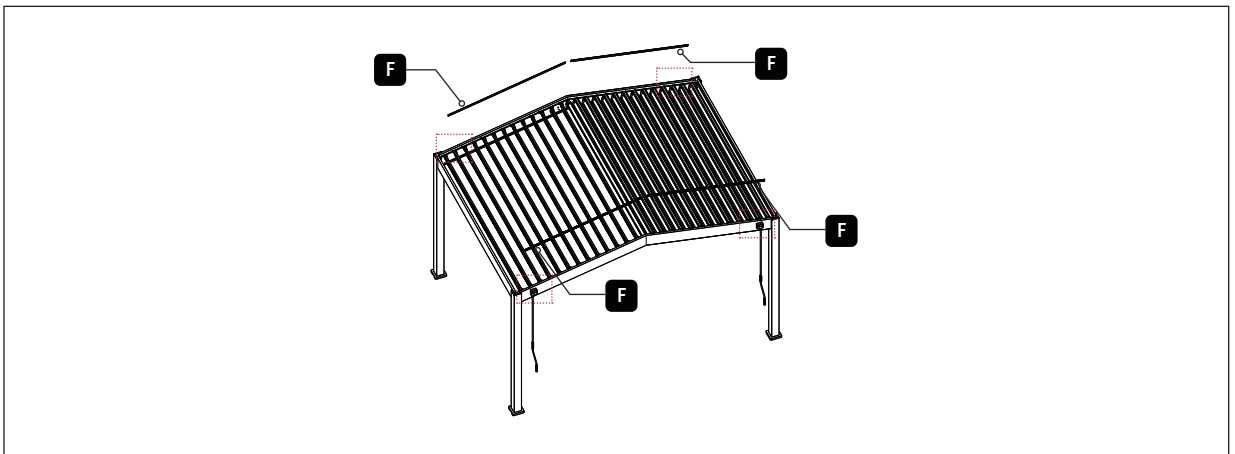


3 Install louvers & Connection



| REF | ICON | QTY |
|-----|---|-----|
| F |  | 4 |

| REF | ICON | QTY |
|-----|---|-----|
| Q16 |  lock nut | 4 |
| Q18 |  | 4 |

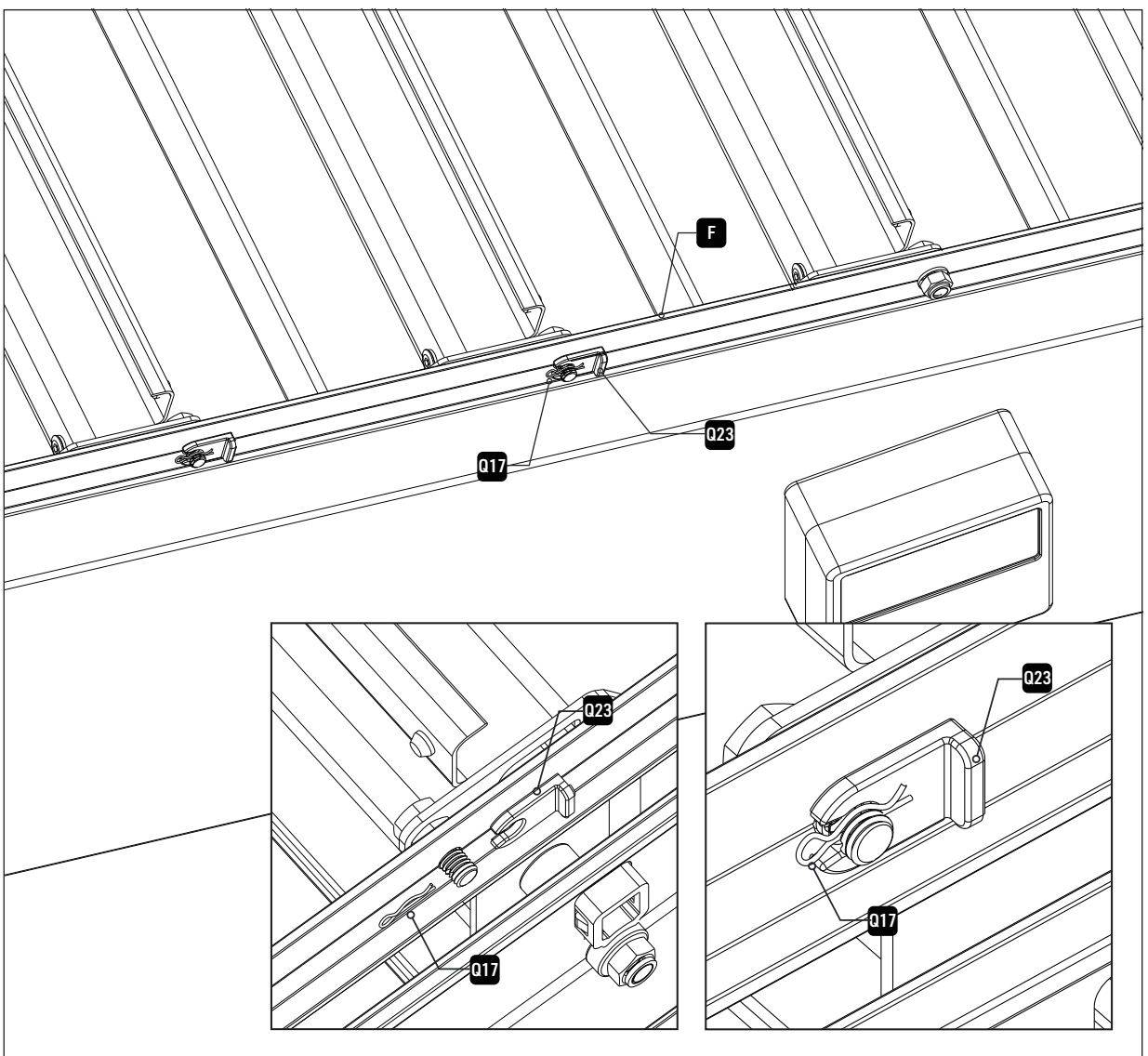
Installation anti-loosening nuts and washers on both ends of master louver.




3 Install louvers & Connection



| REF | ICON | QTY |
|-----|---|-----|
| Q17 |  | 48 |
| Q24 |  | 48 |

Attach the connecting rod to the side of the spindle louver.

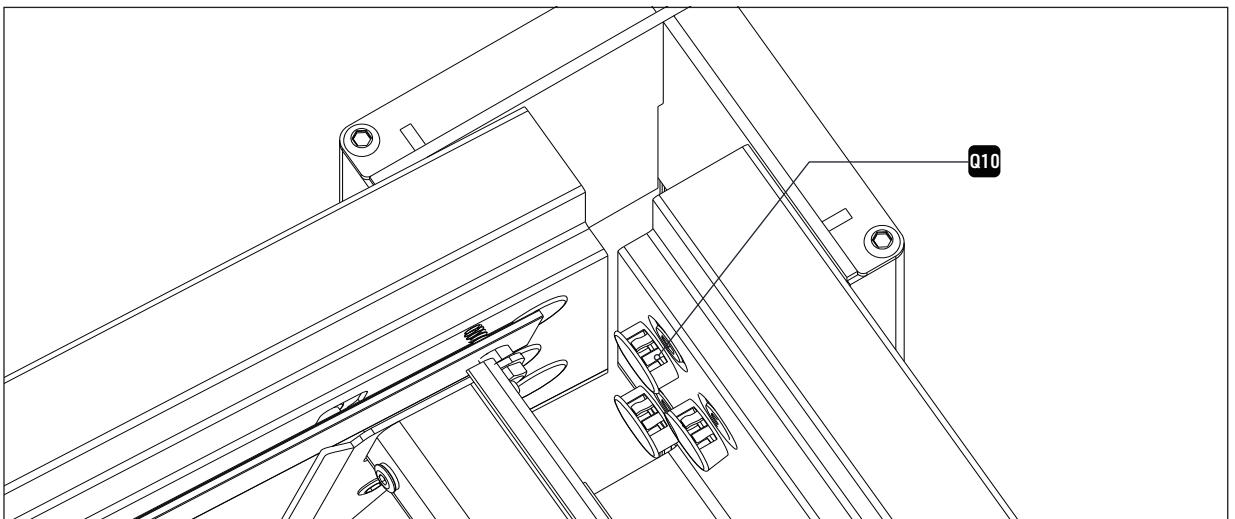
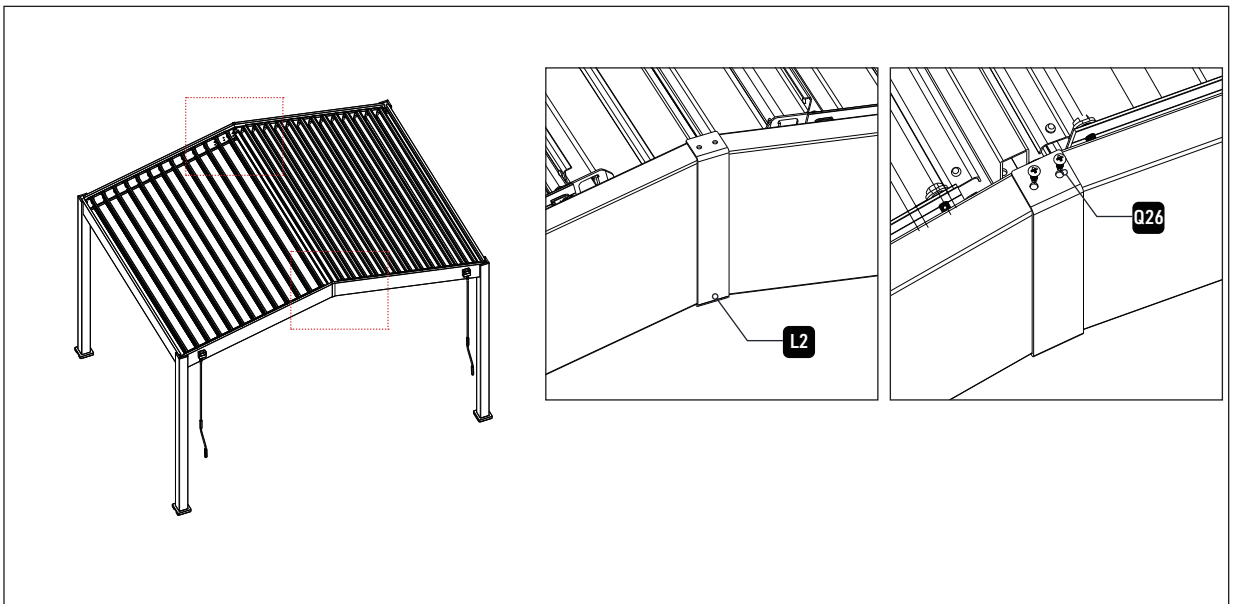


3 Install louvers & Connection

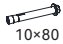
| REF | ICON | QTY |
|-----|---|-----|
| L2 |  | 2 |

| REF | ICON | QTY |
|-----|---|-----|
| Q10 |  | 24 |
| Q26 |  4x16 | 4 |

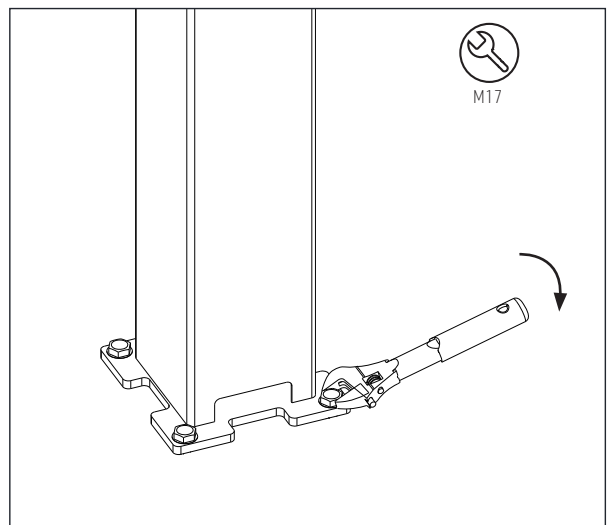
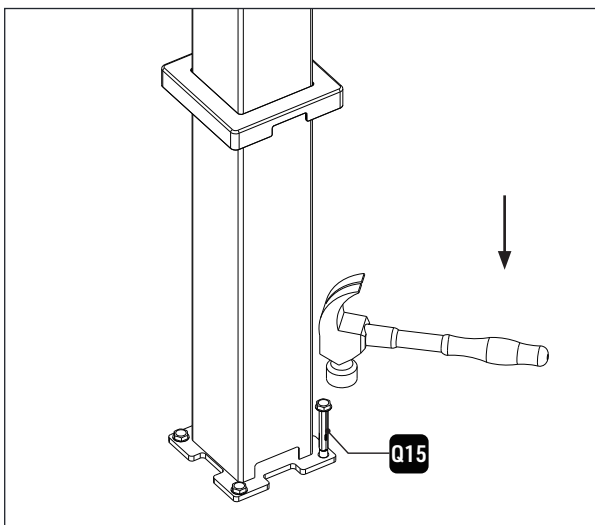
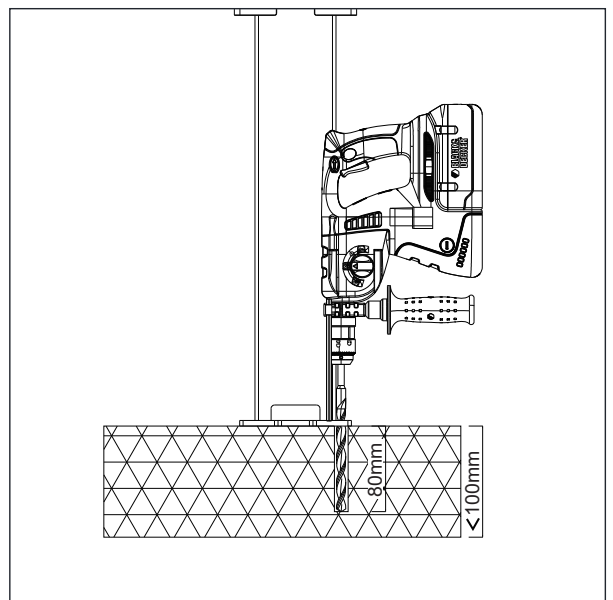
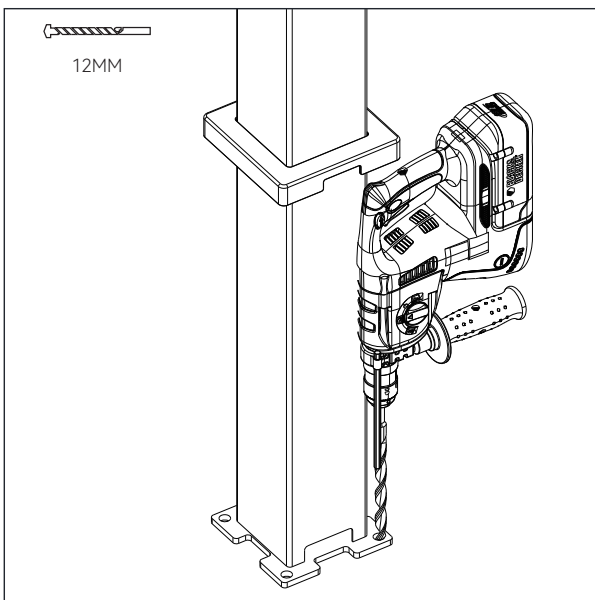
1. Use the plastic cover to cover the screw holes where the beam is connected to the column.



3 Install louvers & Connection

| REF | ICON | QTY |
|-----|--|-----|
| Q15 |  10x80 | 16 |

Move the bottom of the columns according to the dimensions on the front page to ensure that the dimensions are the same, then use a 12mm impact drill bit to guide the holes, then put in the expansion screws and tighten them with a M17 spanner.





Paragon Group USA

Customer Service Contact Information: 1-877-782-4482
support@paragon-outdoor.com

 @paragonoutdoorcompany