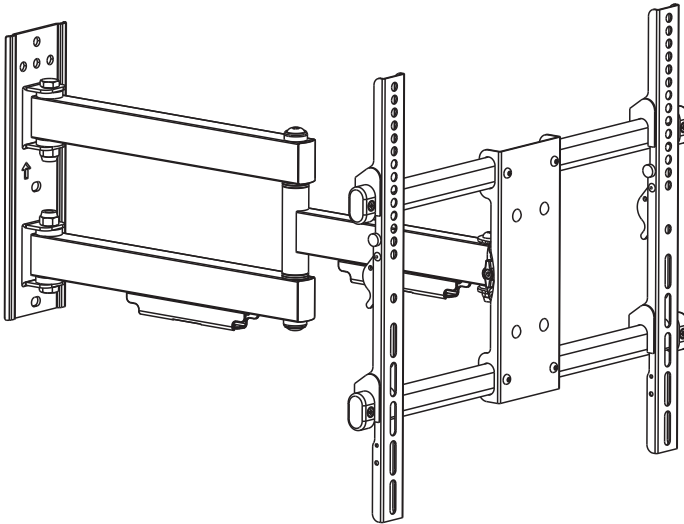


USE AND CARE GUIDE

FULL MOTION WALL MOUNT FOR FLAT PANEL TVS *(For up to 65 in. TVs, Fits VESA 200/300/400)*



Questions, problems, missing parts? Before returning to the store,
call Paragon Group USA Customer Service
9 a.m. - 5 p.m., Monday to Friday

Toll Free 1.888.783.6082

www.link2home.com

Table of Contents


Safety Information	2
Warranty	2
Pre-Installation	3
Tools Required	3


Hardware Included	3
Package Contents	3
Tips for TV Placement	4
Installation	5-10


Safety Information


Before you begin, carefully read and understand the instructions in this manual. Please follow the instructions in the order presented in this manual and observe all warnings and cautions.


 **WARNING:** A Warning alerts you to the possibility of serious injury or death if you do not follow the instructions.


 **CAUTION:** A Caution alerts you to the possibility of damage to or destruction of the equipment if you do not follow the corresponding instructions.

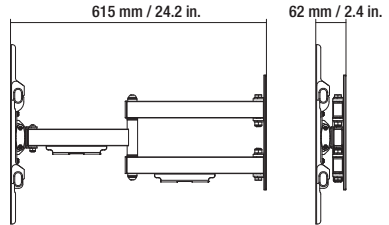
 **WARNING:** Failure to provide adequate structural strength for this component can result in physical injury and/or damage to equipment. It is the installer's responsibility to make sure the structure to which this component is attached can support times the combined weight of all equipment. Reinforce the structure as required before installing the component.

 **WARNING:** Safety measures must be observed at all times during the installation of this product. Use proper safety gear and tools during the installation process to prevent physical injury.

 **CAUTION:** Do not install on a structure that is prone to vibration, movement, or chance of impact. Doing so could result in damage to the flat panel display and/or mounting surface.

 **CAUTION:** Do not install near a heater, fireplace, direct sunlight, or any other source of direct heat. Doing so could result in damage to the flat panel display and could increase the risk of fire.

 **WARNING:** This wall or ceiling mount is intended for use only with the maximum weights indicated. Use with products heavier than the maximum weights indicated may result in collapse of the mount and its accessories causing possible injury. This mount has been tested to support 110 lb. (50 kg). Use with products heavier than the rated weights indicated may result in instability causing possible injury.



This mount has been tested to support a television with diagonal screen sizes between 32 in. and 65 in. (0.81 m and 1.65 m) and a weight up to 110 lb. (50 kg).

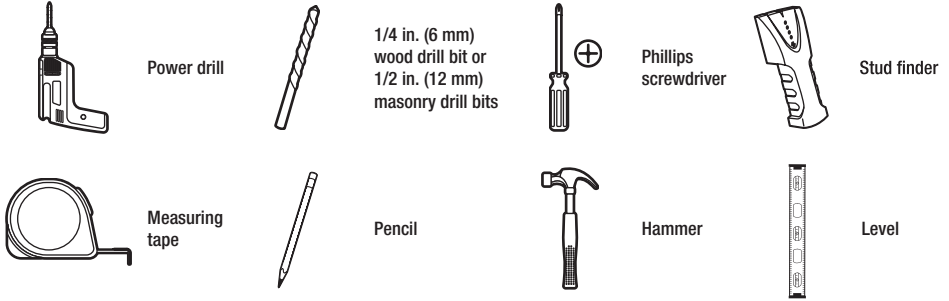
Warranty

The manufacturer warrants that it will replace or repair this item, free of charge, at the manufacturer's sole discretion, should it prove defective in materials or workmanship. This warranty does not apply to:

- Normal wear and tear
- Friction damage
- Coating defects
- Defects caused by loosened screws, nuts, or bolts
- Improperly mounting the bracket to the wall
- Improperly installing the bracket to the display
- Failure to properly follow installation instructions
- Modification or repairs not made or authorized by the manufacturer
- Loading beyond permitted load
- Intentional misuse

Pre-Installation

TOOLS REQUIRED



HARDWARE INCLUDED



NOTE: Hardware not shown to actual size.

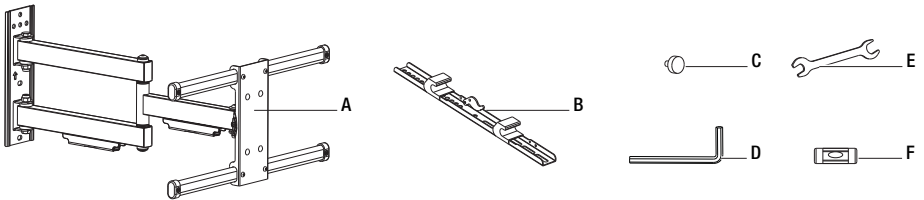


NOTE: The hardware included is suitable for mounting to walls made of brick, solid concrete, or wood studs covered with drywall. If your mounting situation is different, please consult a qualified installer or contact customer service at 1.888.783.6082



Part	Description	Quantity
AA	Nylon anchor	4
BB	Lag bolt with washer	4
CC	Lag bolt	4
DD	Screw (size M5x14, M6x14, M6x30, M8x30, M8x50)	4 each
EE	Washer (size M5 and M8)	4 each
FF	Spacer (size $\Phi 15 \times \Phi 8 \times 5$ and $\Phi 15 \times \Phi 8 \times 15$)	8 each

PACKAGE CONTENTS



Part	Description	Quantity
A	Wall mount	1
B	Mounting bracket	2
C	Thumb screw	2
D	Allen key	1
E	Wrench	1
F	Bubble level	1

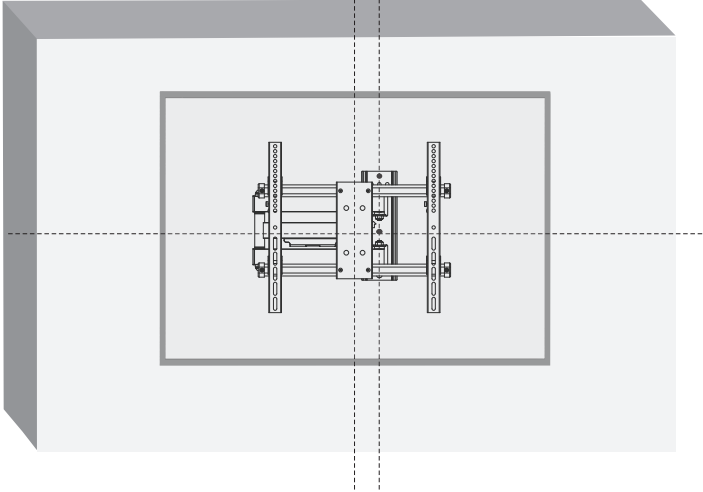
Pre-Installation

TIPS FOR TV PLACEMENT

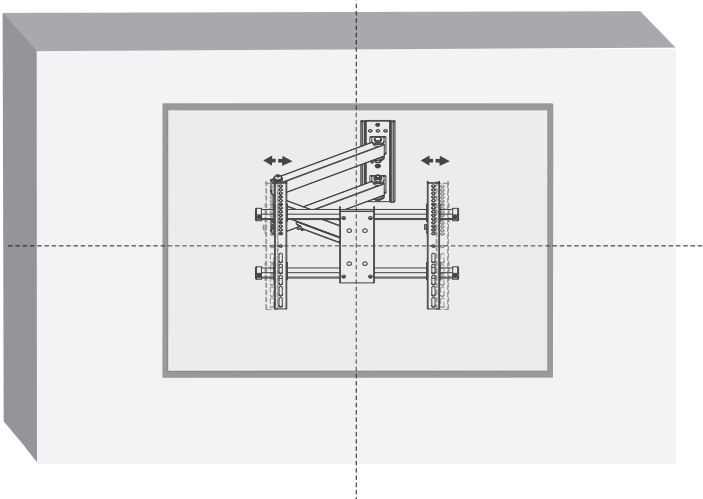


NOTE: Please read the following tips before installation to maintain TV in the viewing center.

- When installing the TV Wall Mount on the wall, please note that the mount is off-center in the folding position see below:
Show the TV Wall Mount folded all the way to the wall mark the off-center and add the number of inches the mount is off-center



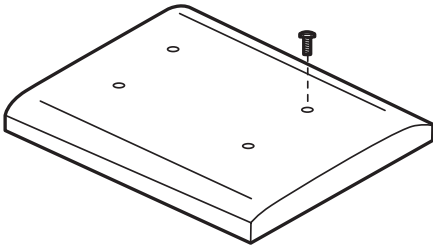
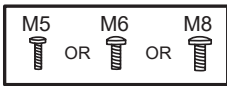
- After installation is complete, you can move the mounting brackets (B) laterally to the left or right to keep the TV in the optimal viewing position. (This option works if the horizontal mounting aperture of the TV is less than 400mm)



1 Identifying the bolt diameter to use

To ensure proper mounting of the brackets to your TV, this mounting system includes several sizes (M5, M6, and M8) of screws (DD), washers (EE), and spacers (FF) that can be used in various combinations. Combinations are determined by the back style of the TV (flat, curved, or recessed) and the diameter and depth of those holes.

- Select the screw diameter to use by inserting the various sized screws (DD) into the mounting holes in the back of your TV.



2 Identifying the bolt length to use

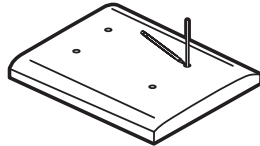
- Insert a straw or toothpick into one of the mounting holes on the back of your TV. If your TV is curved or recessed, place the proper sized spacer on top of one of the mounting holes first.
- Use a pencil to mark the depth of the mounting hole.
- Determine the proper screw length to use by comparing the mark with the various screws provided.



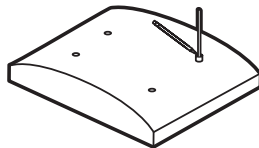
CAUTION: When the bolt is longer than the mark, choose a shorter bolt.



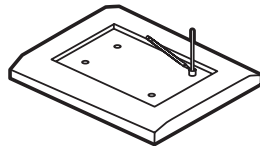
FLAT



CURVED



RECESSED



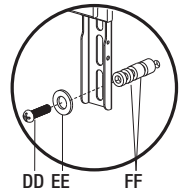
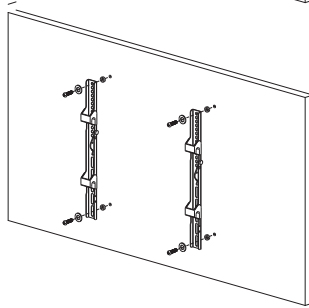
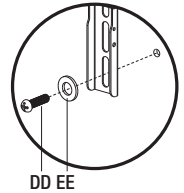
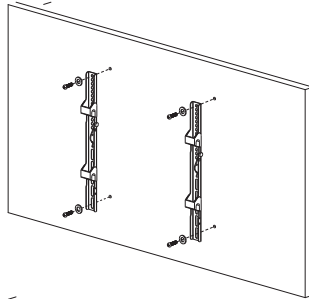
Installation (continued)

3 Mounting brackets to the TV

- Use the washers (EE) and screws (DD, size M5x14, M6x14) to attach the TV if it has a flat back.
- Or use the spacers (FF), washers (EE) and screws (DD, size M6x30, M8x30, M8x50) to attach the TV if it has a curved or recessed back.



CAUTION: Tighten the screws so the brackets are firmly attached. DO NOT OVERTIGHTEN. This may damage your TV.



4 Planning wall placement

When selecting a wall to mount your display, keep the following in mind:



CAUTION: Ensure the wall you select is a weight-bearing wall. Failure to observe this precaution can result in serious physical injury and/or property damage. Consult a professional installer or contact customer service if you have any questions.

- Select a place with easy access to power outlets, cable input sources, and connections for speakers and accessories.
- Avoid direct sunlight, heat, and vibrations and do not place in direct flow of traffic.
- Select a weight-bearing wall. The wall must be able to safely support four times the combined load of the equipment and all attached hardware and components.

5 Ensuring wall stability

Carefully inspect the wall area you have selected. Examine the wall surface before you begin drilling.



WARNING: Do not drill near electrical wiring and water pipes.

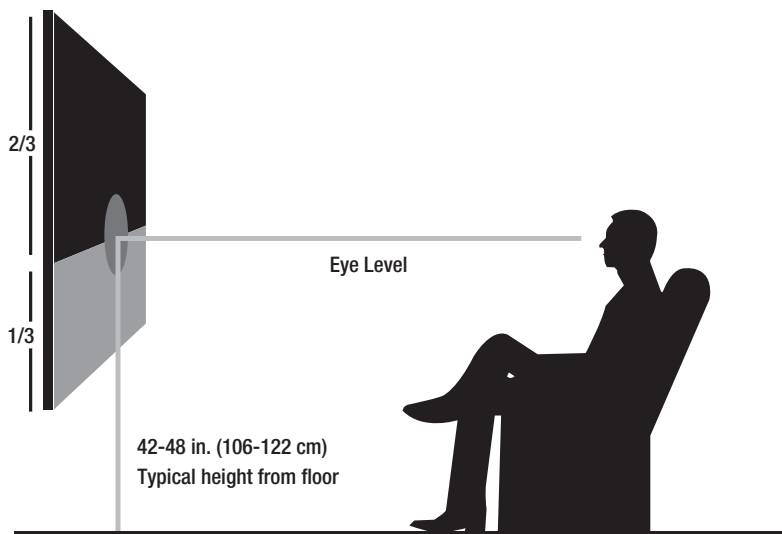


CAUTION: Wood studs must be no smaller than 2 x 4 in. in size.

- For concrete walls, check for damaged or loose concrete and do not drill in those areas.
- For brick wall, never drill into the mortar between blocks.
- For wood studs, locate the wall studs and drill in the center of the stud.

6 Determining wall-mount location

- After you have mounted the brackets to the TV, determine the mounting location on the wall.
- Select the best location that you want the picture area to be positioned. A good rule of thumb is to have the primary viewer's eye level to be about 1/3 of the distance from the bottom of the picture area.



Installation (continued)

7 Installing the wall mount (concrete/brick wall)



CAUTION: Avoid drilling near electrical wiring and water pipes. The mounting system must be attached to a weight bearing wall.

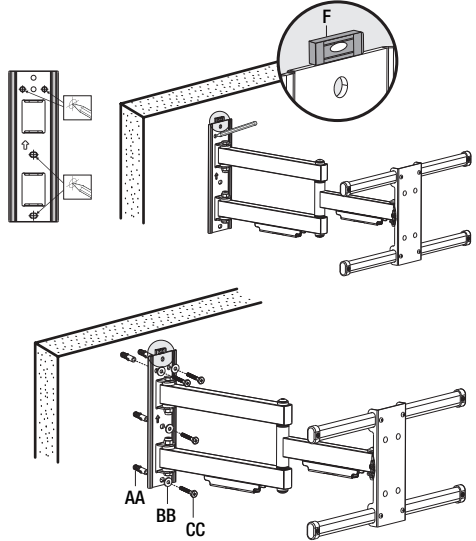


CAUTION: Do not drill into mortar between bricks or into loose concrete.



CAUTION: Never drill into hollow brick.

- Use the wall mount (A) as a template to mark the installation holes. Use the bubble level (F) to ensure the wall mount (A) is level.
- Use a 1/2 in. (12 mm) masonry drill bit to slowly drill 3.7 in. (95 mm) pilot holes.
- Insert anchors (AA) into the holes. Ensure the anchors are completely flush to the concrete surface even if covered by a layer of joint compound or other material.
- Attach the wall mount (A) to the wall using the lag bolts (CC) and lag bolt washers (BB) as shown.



8 Installing the wall mount (wood stud)



CAUTION: Avoid drilling near electrical wiring and water pipes. The mounting system must be attached to a weight bearing wall and must be installed directly onto the center of the wood studs. Failure to observe all safety precautions can result in serious physical injury and/or property damage. Consult a professional installer or call customer service if you have any questions.

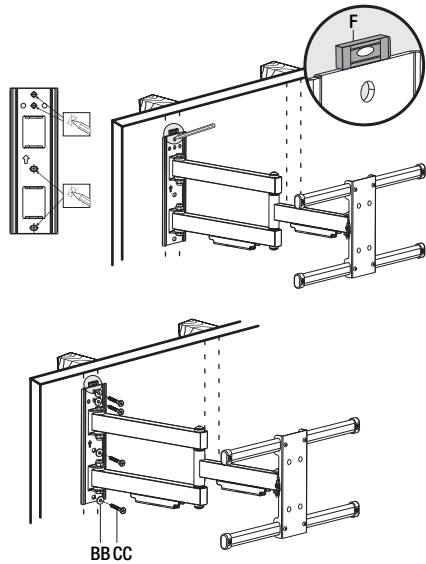


CAUTION: Wood studs must be no smaller than 2 x 4 in. in size.



CAUTION: Avoid potential personal injury or property damage! Drywall covering the wall must not exceed 5/8 in. (16 mm).

- Use a commercially-available stud finder to locate the stud centers in the wall. Studs are usually spaced 16 in. apart.
- Use the wall mount (A) as a template to mark the installation holes. Use the bubble level (F) to ensure the wall mount (A) is level.
- Use a 1/4 in. (6 mm) drill bit to slowly drill 3.5 in. (90 mm) pilot holes.
- Attach the wall mount (A) to the wall using the lag bolts (CC) and lag bolt washers (BB) as shown.

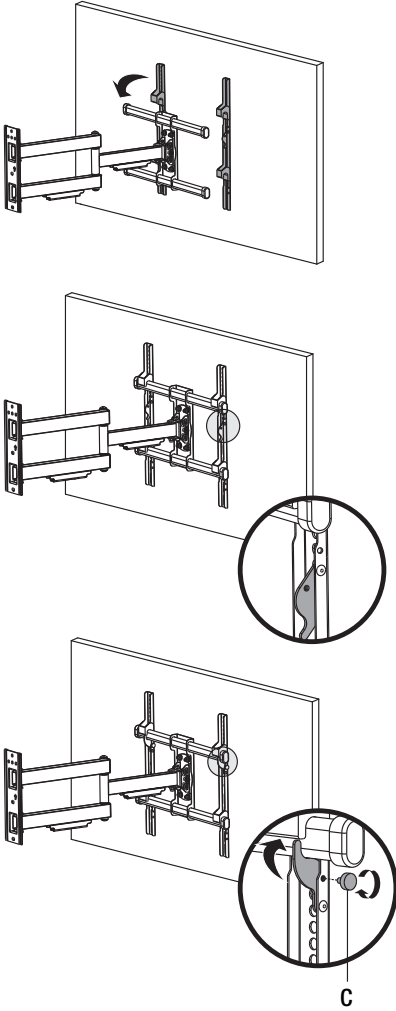


9 Attaching the TV

- Hang the TV on the wall mount and tighten the thumb screws (C) as shown to secure the TV.

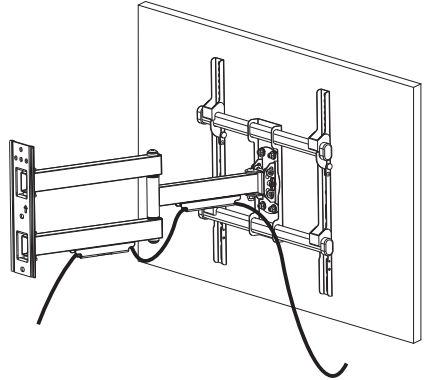


CAUTION: You will need assistance with this step.



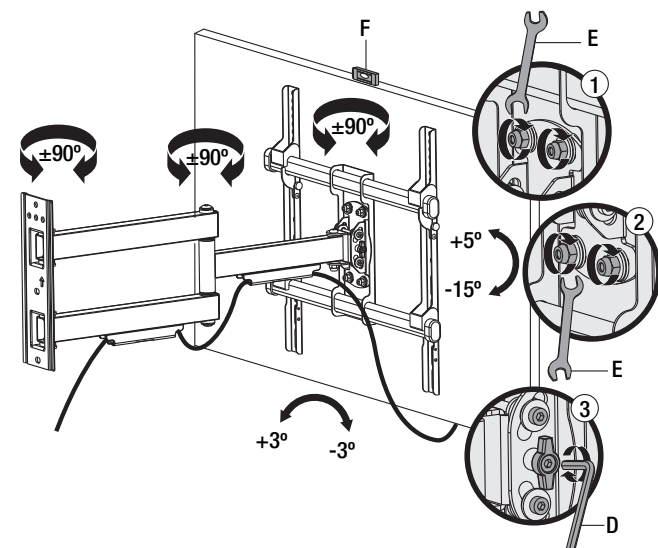
10 Managing the cable

- Route the cable along the arm.



11 Adjusting the TV to the desired position

- Leveling: Use the wrench (E) to release or tighten the screws on the VESA plate as shown. Assist yourself with the bubble level (F).
- Tilt: Use the Allen key (D) to release or tighten the knob on the VESA plate as shown.





**Questions, problems, missing parts? Before returning to the store,
Call Paragon Group USA Customer Service
9 a.m. - 5 p.m., Monday to Friday**

Toll Free 1.888.783.6082