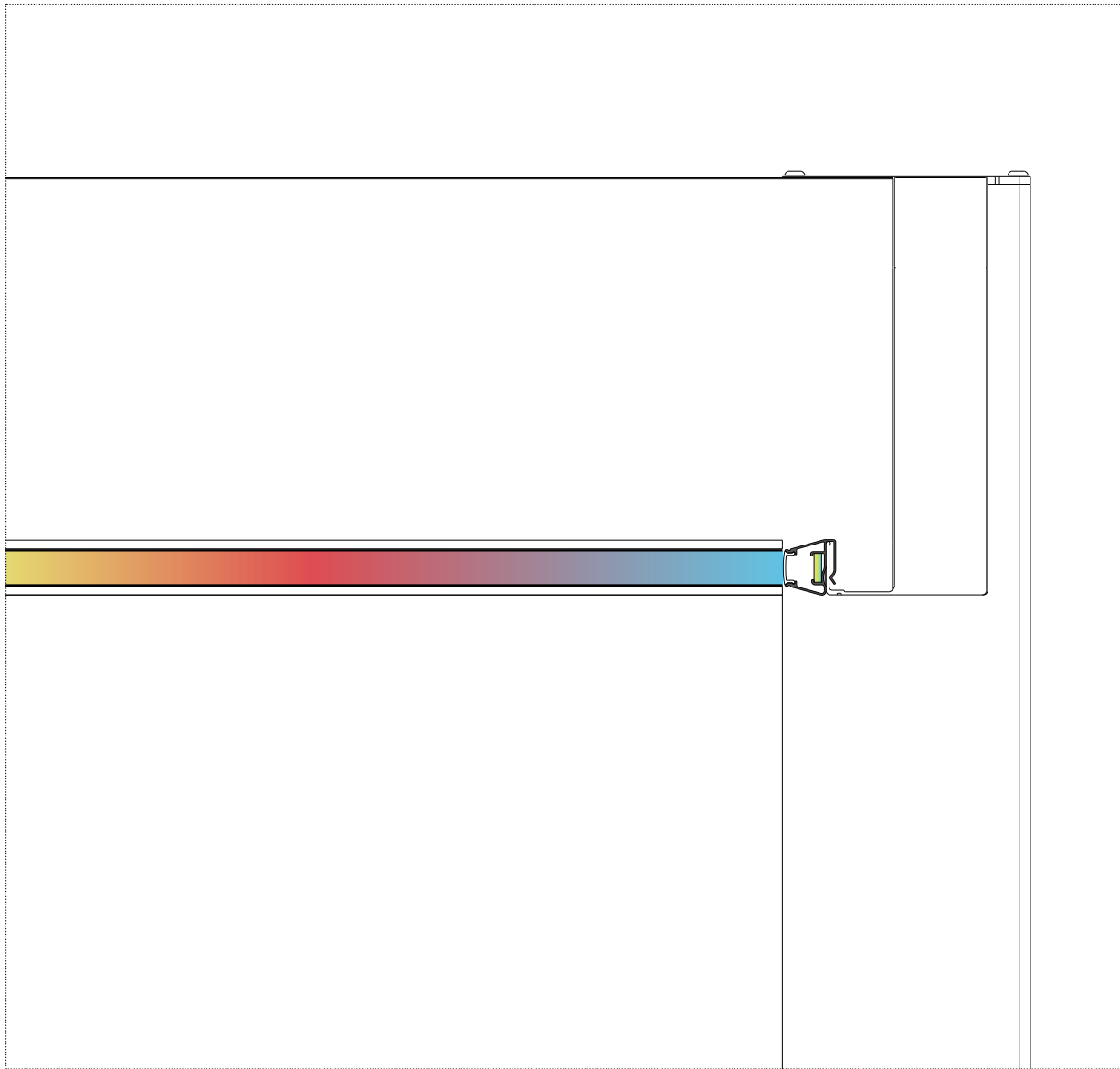


LED Light Kit for Louvered Pergola 12'X20'

Assembly instructions



Facebook Instagram Twitter @paragonoutdoorcompany

Paragon Group USA

Customer Service Contact Information: 1-877-782-4482
support@paragon-outdoor.com

LED Light Kit for Louvered Pergola

Please read the following instructions completely before you begin assembly. Any errors made during installation are not covered by the product's warranty. If you have any questions during the installation process, please call us at **(877) 782-4482**.

Paragon Outdoor's 1 Year Limited Warranty

Paragon Outdoor warrants to the original purchaser that all components and hardware in its products, under normal use and service conditions, will be free from defects in manufacturing and materials for a period of 1 year from the date of original retail purchase subject to the definitions, terms and conditions contained in this warranty.

Paragon Outdoor will replace any defective part within the warranty period, at its discretion, if it is found to be defective of workmanship or materials. Paragon Outdoor may request photographs, videos, or physical return of the defective part for verification purposes.

Warranty Conditions

1. This warranty shall be valid only if the product is installed, cleaned, handled and maintained in accordance with Paragon Outdoor's written recommendations listed below.
2. Without derogating from the above, damage caused by use of force, incorrect handling, inappropriate use, neglectful use or assembly or maintenance, accidents, impact from foreign objects, vandalism, pollutants, alteration, painting, connecting, gluing, sealing not in accordance with the user's manual, or damage resulting from cleaning with incompatible detergents and minor deviations of the product are not covered by this warranty.
3. This warranty does not apply to damage resulting from "force majeure", which includes but is not limited to, hail, storm, tornado, hurricane, blizzard, flood, or fire effects, beyond stated claims.
4. This warranty is void if structural parts and components used are not compatible with Paragon Outdoor's written recommendations.
5. This warranty applies to the original owner and registrant and is non-transferable.

Planning Assembly

1. It is the consumer's responsibility to comply with building rules, regulations, zoning restrictions or any other regional restrictions and obtain the required permits before purchasing the product and installing it.
2. Make sure that every part is in the box before beginning installation.
3. Some parts may have sharp edges; it is recommended to wear gloves, protective eyewear and closed shoes.
4. You must schedule enough time to complete assembly as you cannot leave the product unattended if it is not fully assembled, even if bolted to the ground.
5. A minimum of 3 people are required for a safe assembly of the product. This will vary depending on certain steps of installation.
6. Follow each instruction manual carefully to ensure the strength of the product.
7. To avoid damage to the product and its part, use the proper tools. Do not use the product as a support. The use of a ladder may be necessary at certain stages of assembly.
8. Keep the instruction manual and the parts list in case of future needs or references.
9. Do not assemble the product on days of wind or rain.

Maintenance

1. In case of a defective part or if a problem occurs while using this product, please contact Paragon Outdoor Customer Service at **(877) 782-4482**.
2. To order replacement parts, identify the model number and the part number found in your assembly manual and contact Customer Service..

Safety Information

IT IS VERY IMPORTANT TO READ AND FOLLOW ALL SAFETY PRECAUTIONS BEFORE ASSEMBLY AND DURING USE OF THE PRODUCT.

1. Keep children and pets away from assembly area.
2. When assembling and using the product, basic safety precautions must always be followed to reduce risks of personal injuries and damages to the product and its surroundings.
3. Ensure that all parts are in the boxes before starting the assembly. It is recommended to wear protective gloves since some of the parts have sharp edges.
4. Begin the assembly and install the product more than 10 ft. away from any obstructions including, but not limited to, a fence, overhanging branches, a laundry line or electrical wire and as much as possible in a place protected from the wind.
5. Always install the product on a level platform and be anchored according to the surface recommendations in the assembly instructions.
6. Check all hardware for tightness before and during the use of the product. Tighten screws at least twice a year.
7. Do not install the product in a space where there is a possibility of high winds.

Customer Service Contact

If you are experiencing any issues with the assembly of your new structure, please do not return – our expert customer service team will help you with all questions for a smooth assembly process.

Email: support@paragon-outdoor.com

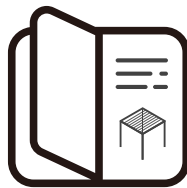
Call: +1 (877) 782-4482

Hours of Operation

Speak with an Expert Customer Service Agent: Monday – Friday: 8:00 am – 5:00 pm CST

We are available 24 hours a day, 7 days a week. Please allow up to 24 hours for a response.

We appreciate your purchase of our Pergola.



Instruction Manual

This guide will give you step-by-step instructions on how to assemble and care for your pergola, ensuring it lasts for years of enjoyment and reliable use.

Be sure to follow all steps carefully, as in correct installation may result in serious injury.

IMPORTANT:

Warning: Safety Instructions

For the safety of individuals, it is crucial to follow these instructions. Please retain them for future reference

For children aged 8 years and older, as well as individuals with reduced physical, sensory, or mental abilities, or those lacking experience and knowledge, provided they have received proper supervision or instruction on how to use the appliance safely and are aware of the potential hazards.

Children should not be allowed to play with the appliance. Cleaning and maintenance tasks should only be performed by children under supervision.

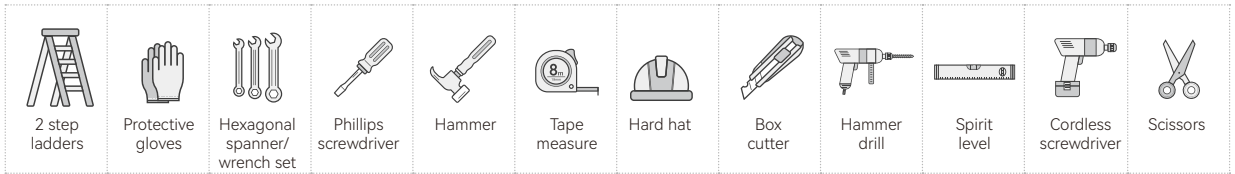
This pergola is designed for outdoor residential use, providing protection from direct sunlight, glare, and heat.

Any use or modification not outlined in this manual is considered improper and could pose significant risks to both users and property. Such actions will void the product warranty.

BEFORE THE INSTALLATION

PREPARE ALL THE NECESSARY TOOLS

To assemble your pergola LED Light Strip properly and safely, make sure you have the following tools and accessories on hand, as these are not included.



CHECK FOR MISSING PARTS:

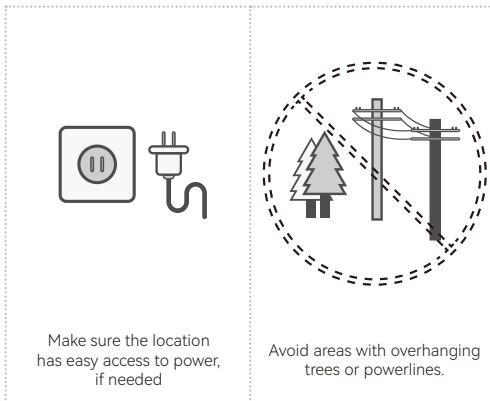
Before starting the installation, verify that you have all the necessary parts to assemble your e-Motion. Double-check that the quantity of parts matches the model you purchased.

If any parts are missing, please reach out to customer service before proceeding with the installation.

PREPARE THE PARTS FOR EACH STEP:

In the Installation section of the manual, each step specifies the parts and quantities needed. We recommend gathering the necessary parts ahead of time for each step. This will help save you time and make the assembly process smoother. To avoid damaging the painted surfaces, place the parts on cardboard or another soft surface if possible.

CHOOSE AN APPROPRIATE LOCATION:



WARNING:

Many terraces or patios are built with a slight slope to direct rainwater away from the house or other structures. For proper pergola installation, a completely level surface is required. Small pebbles or uneven ground may prevent the pergola from being securely anchored.

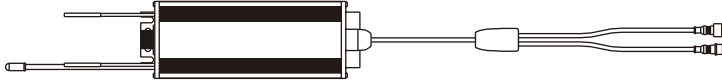

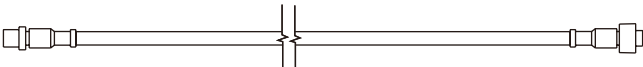
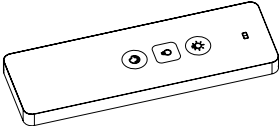
If the pergola is installed on an uneven surface, it may affect the performance of accessory components and could void the product warranty. You may also need to adjust the height of the pillars for proper installation.

PREPARE THE FOUNDATION:





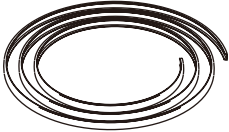
To get your foundation ready, make sure to:

- Check for underground pipes and cables (call local relative authorities before digging).
- Verify with local authorities if any building permits are necessary.
- If you're opting for a concrete base, consult with a reputable contractor.

Controller Kit

No.	Diagram	QTY
Electrical Safety Ratings: Voltage: 120V Frequency: 60Hz Current: 1.87A		
S-A		1
Model of Control Device: YZ21008-03A-RGBP		
S-E		1
Power Supply Model: APS-180-24A		
S-L		1
S-CR		1






3.6M LED KIT

No.	Profile	Diagram	Size	QTY
W36-1			24X26 L=1131mm	6
L36-1			L=3300mm	2
P36-1			16X5 L=3298mm	2

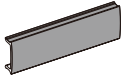
SPARE PART LIST


LED-RGBW

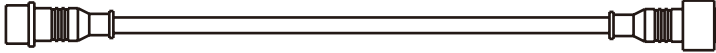
6M LED KIT

No.	Profile	Diagram	Size	QTY
W60-1			24X26 L=1383mm	8
L60-1			L=2700mm	4
P60-1			16X5 L=2669mm	4

CONNECT LED KIT

No.	Diagram	QTY
Y1		12

No.	Diagram	QTY
Y2		8

No.	Diagram	Size	QTY
Y3		L=150mm	2

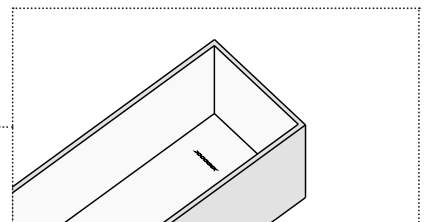
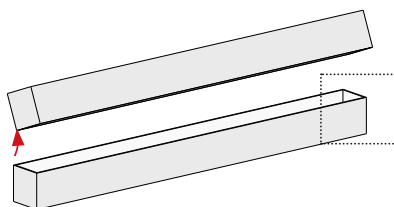
Before proceeding with the assembly of your louvered pergola, it is necessary to check that all parts listed are supplied and not damaged.

Any missing part must be reported within 10 days of delivery.

You can either go through your local outlet store or make the request directly on our website.



Do not discard the packaging without ensuring that the product is functioning properly.

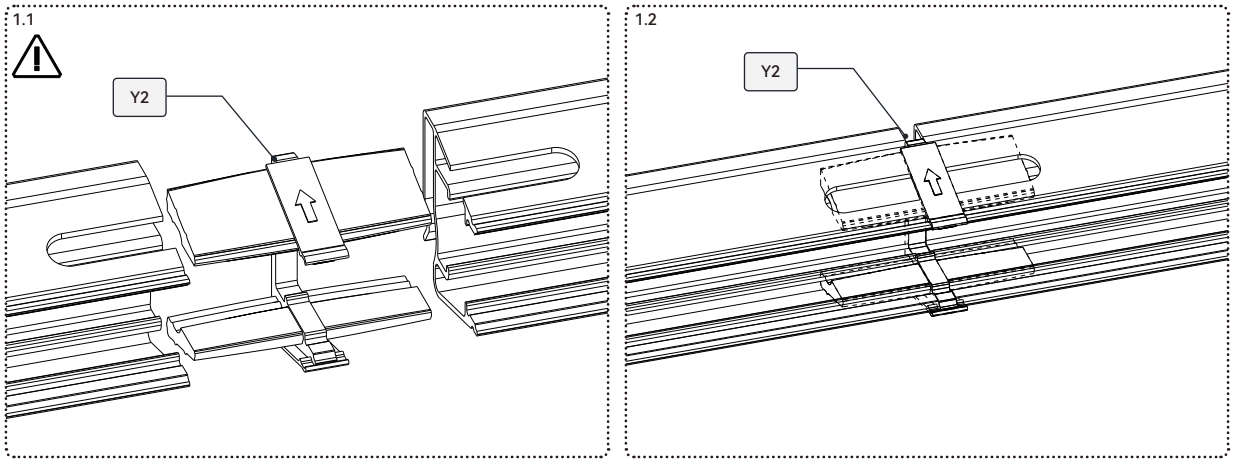
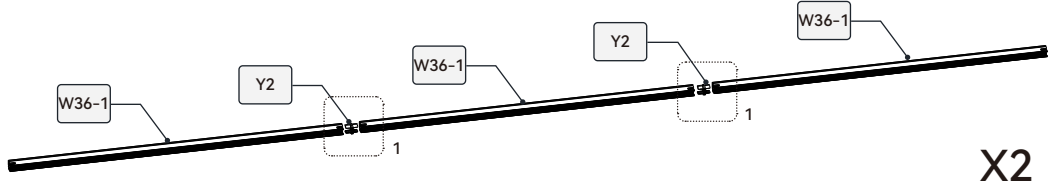
There is a Product Tracking Number in the inner side of the carton (see below diagram). For better and efficient after-sales in the future, when tear down the carton box, please take a photo of the Tracking Number and save the photo.



1. 3.6M LED

For the aluminum alloy strips marked W36-1, ensure they are cut to the length specified in the diagram, then join the strips by clipping the Y2 fasteners into the cavities.

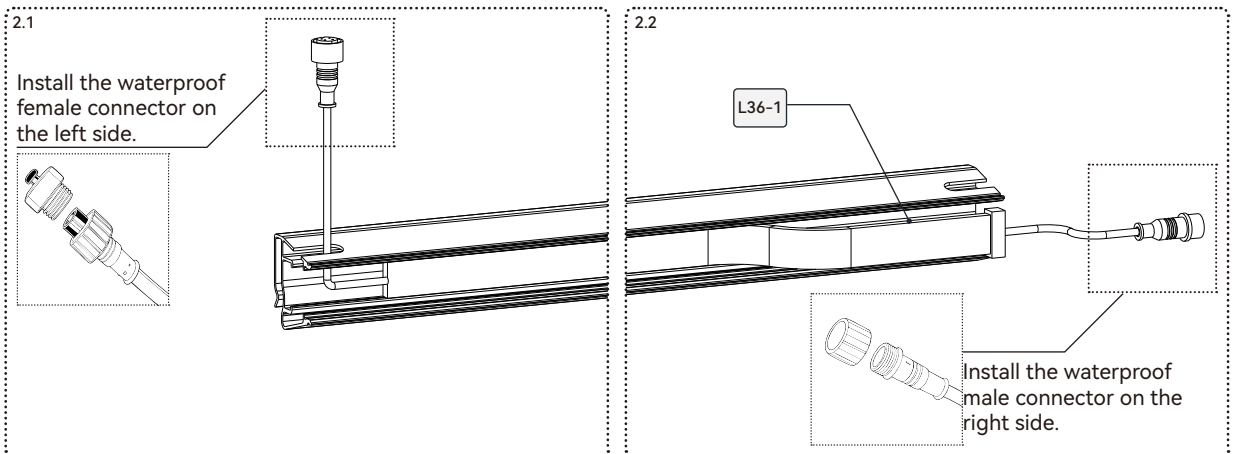
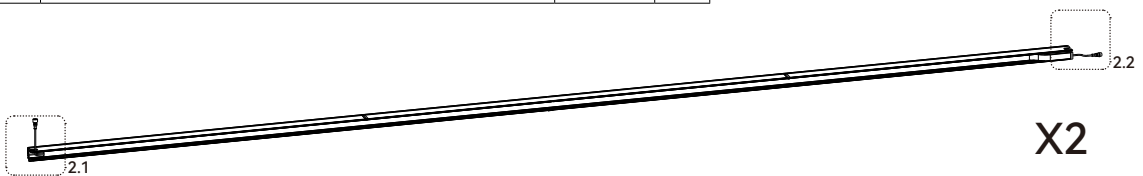
W36-1		24X26 L=1131mm	6	Y2		4
-------	---	-------------------	---	----	---	---



2. 3.6M LED

Clip the component of the corresponding length into the aluminum alloy groove.

L36-1		L=3300mm	2
-------	---	----------	---

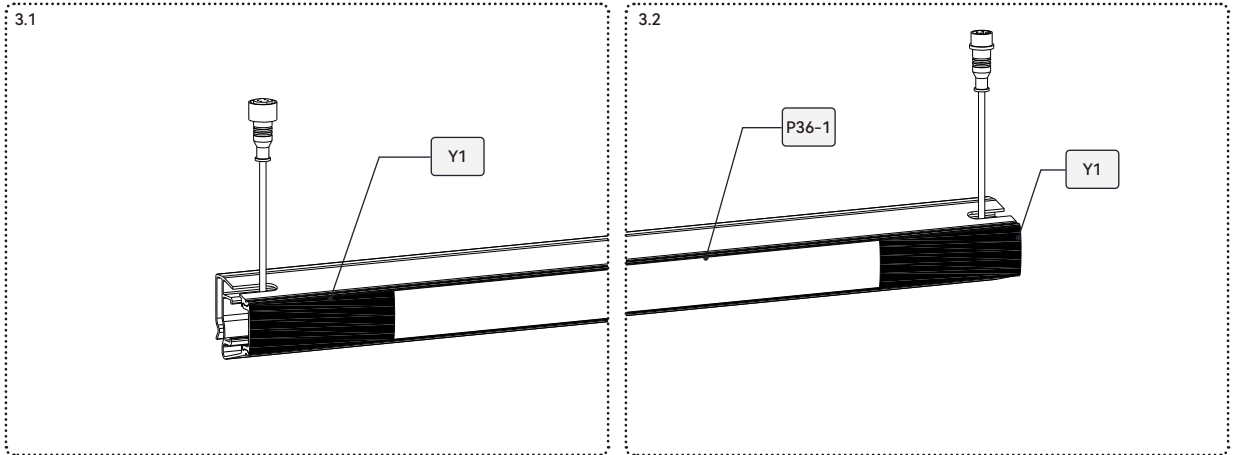
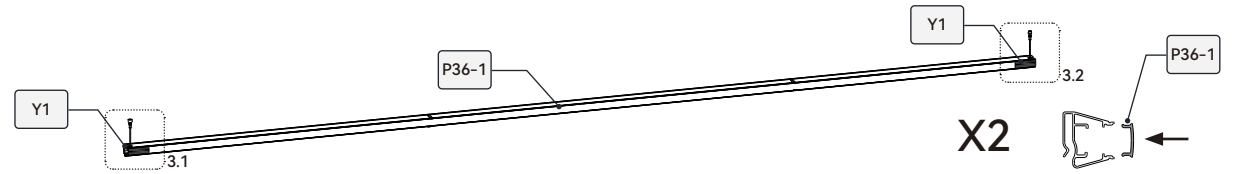


3. 3.6M LED

Clip the opal white plastic shell and black plastic shell of the outer casing into the opening of the aluminum alloy profile.

P36-1			16X5 L=3298mm	2
-------	--	--	------------------	---

Y1		4
----	--	---

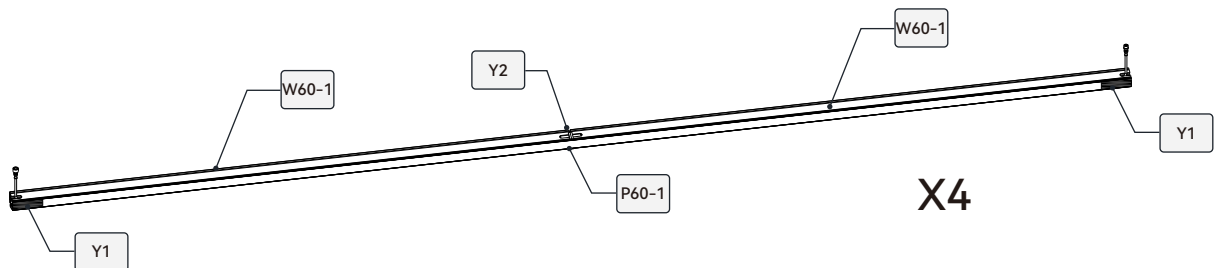


4. 6M LED

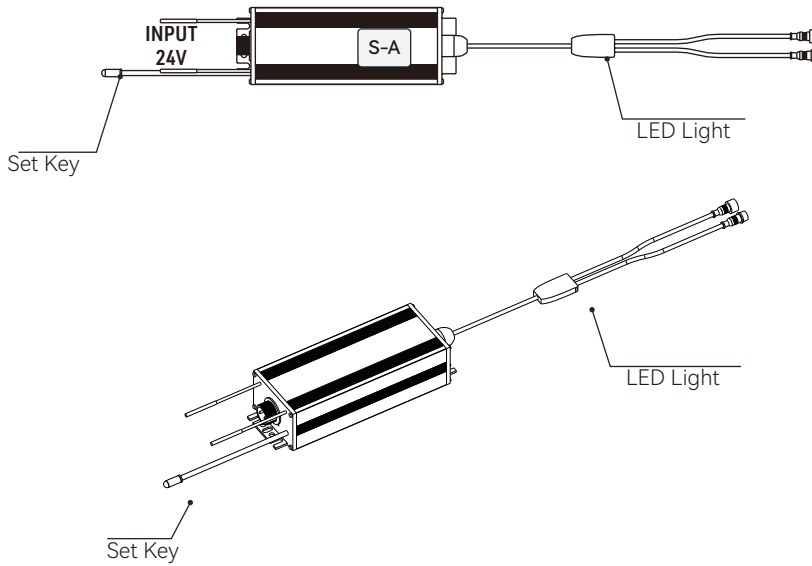
Clip the opal white plastic shell and black plastic shell of the outer casing into the opening of the aluminum alloy profile.

W60-1			24X26 L=1383mm	8
L60-1			L=2700mm	4
P60-1			16X5 L=2669mm	4

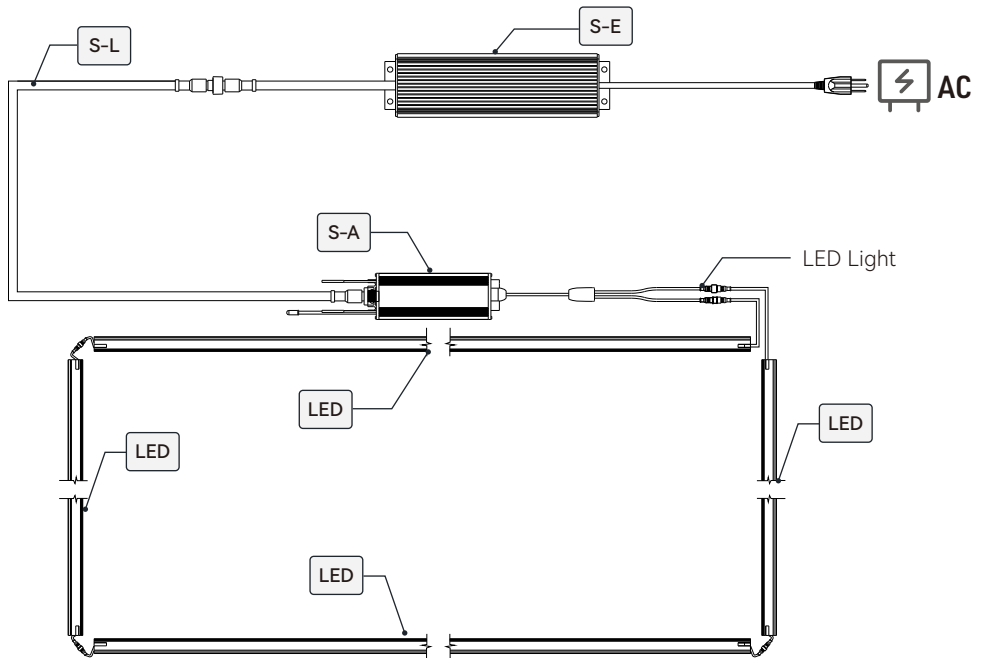
Y1		8
Y2		4



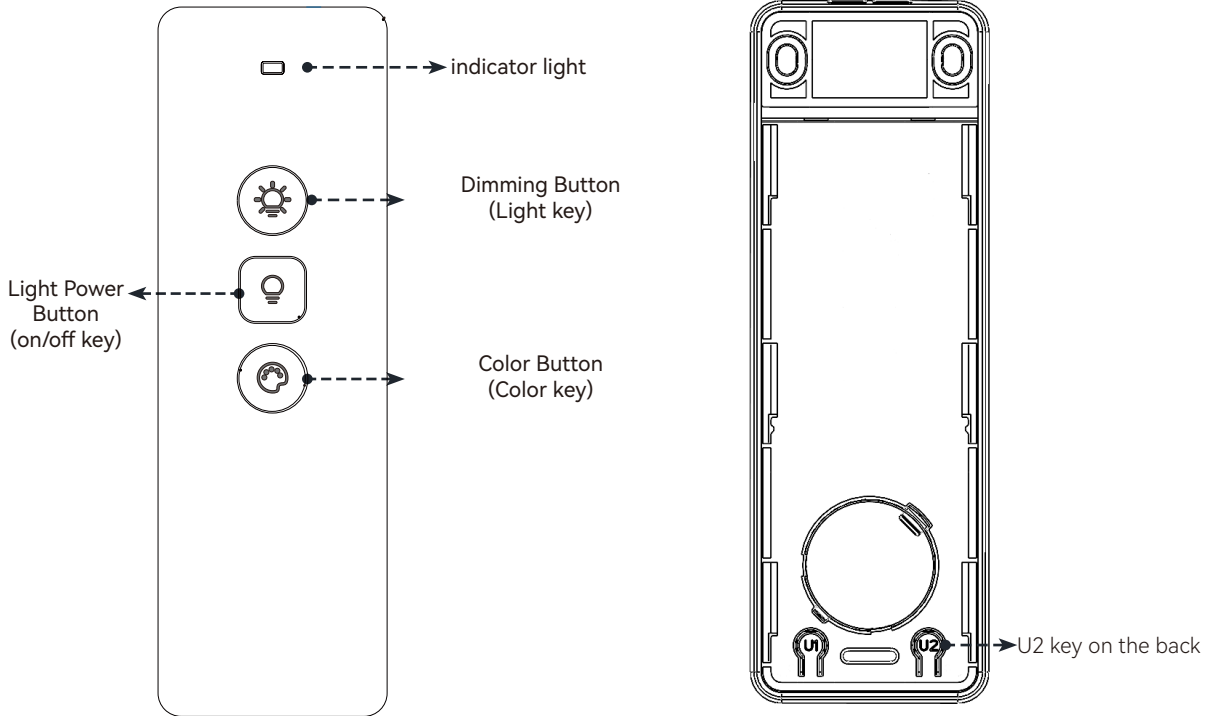
5. Electrical Control System



6. Electrical Wiring Diagram



7. Remote Control Operation Instructions



Individual Button Functions :

Power Button:

Short Press: Cycles between turning the light ON and OFF.

Dimming Button:

Long Press: Activates gradual brightness adjustment (continuously cycles between dimming and brightening).

Color Button:

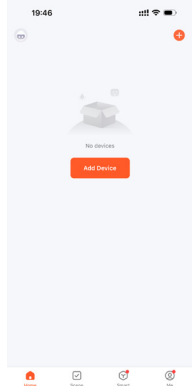
Short Press: Cycles through 8 preset color modes:

Red, Green, Blue, Yellow, Cyan, Purple, White, Auto Color-Changing Mode.

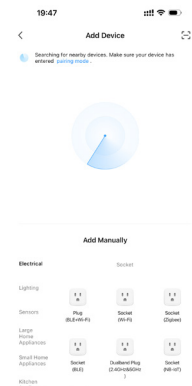
Long Press (2 seconds): Enables smooth color gradient cycling (colors transition gradually in a loop).

8. Tuya Smart Device Operation Instructions

The product also supports the TUYA function. The product can be controlled by downloading TUYA. The user must use this function when the WIFI signal is sufficient.



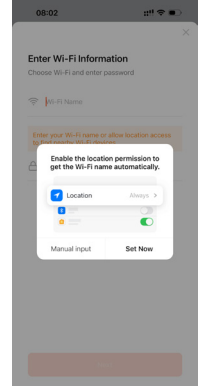
Press 'Add Device'



The program start searching for nearby applications automatically which will take for a while.



You will find the Intelligent Pergola press.



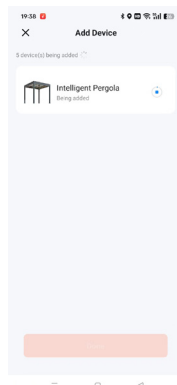
Press 'Set Now' and 'Always allowed'



If you cannot find the corresponding APP in Tuya, please reset the controller's network settings according to the instructions below the diagram.



Select your WIFI and input Password.



You will see the Intelligent Pergola light connected to you apps.



Press the Icon then you will be able to use.

Reset Network:

Method 1:

Long press the "SET KEY" on the controller for 7 seconds.

The indicator light will stay off for 1 second, indicating that the network has been successfully cleared.

Method 2:

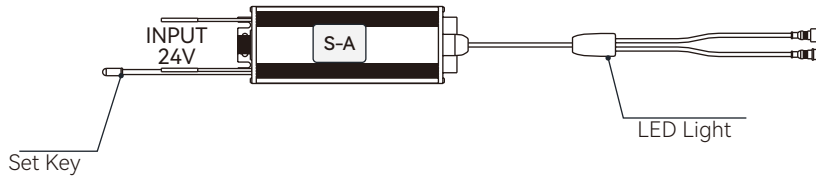
Long press the "U2 KEY" on the back of the remote control for 2 seconds.

The indicator light will blink slowly, indicating that it has entered the learning mode.

Then, long press the "COLOR KEY" on the remote control for 2 seconds.

The indicator light will stay off for 1 second, indicating that the network has been successfully cleared.

7. How to operate the pairing between the remote controller and the controller



Remote Control Pairing Guide

Below are two methods for pairing the remote control, clearly organized and easy to follow:

Pairing Method 1:

Enter Pairing Mode:

Press and hold the "SET KEY" on the controller for 2 seconds. The indicator light will start blinking slowly, indicating that it has entered pairing mode.

Complete Pairing:

Press and hold the "Power Button" on the remote control for 2 seconds. The indicator light will stay off for 1 second, indicating that the remote control has been successfully added.

Pairing Method 2:

Enter Pairing Mode:

Press and hold the "U2 Button" on the back of the already paired remote control for 2 seconds. The indicator light will start blinking slowly, indicating that it has entered pairing mode.

Add a New Remote Control:

Press and hold the "Power Button" on the remote control that needs to be paired for 2 seconds. The indicator light will stay off for 1 second, indicating that the new remote control has been successfully added.

Notes:

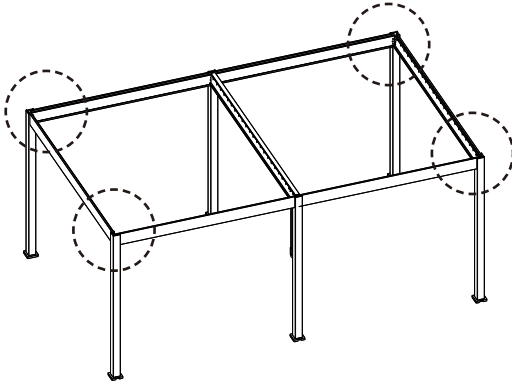
Ensure that the remote control and controller are within the effective operating range.

If the indicator light does not change as expected, repeat the operation or check if the device is functioning properly.

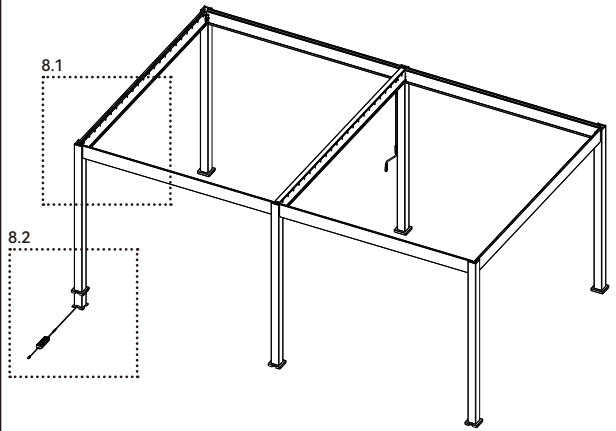
Different brands or models of devices may have different operating procedures. Please refer to the specific device's user manual.

8. Placement Position of the Controller

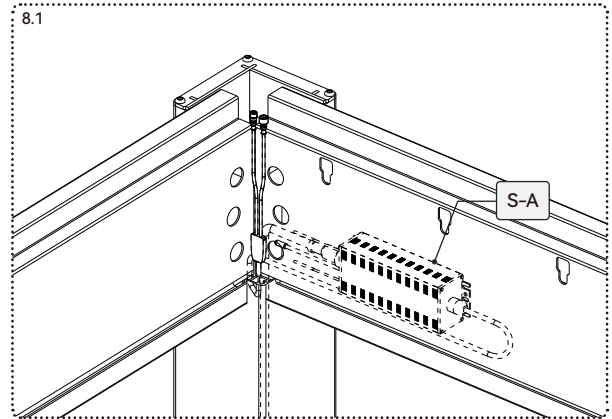
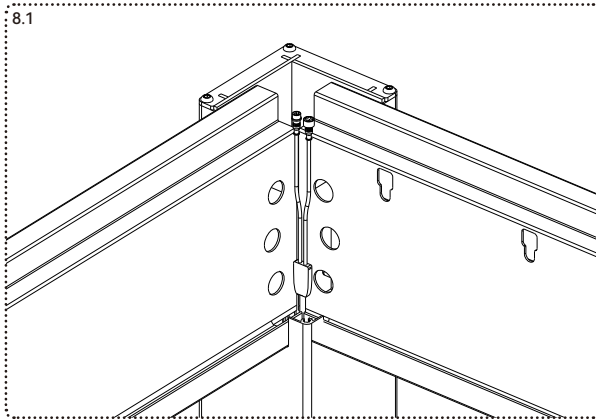
The controller can be placed at the corner of any upright post of any pergola.



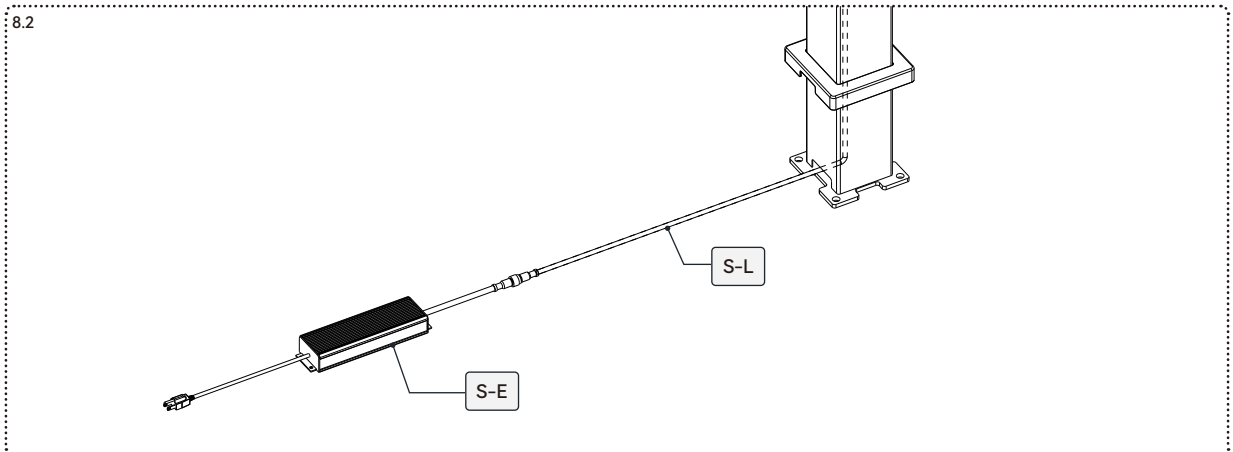
Place the transformer outside and the controller in the cavity of the beam.



Place the controller in the cavity of the beam. **Note that it should be installed during the assembly of the pergola frame. If the frame assembly has already been completed, the controller can be mounted on the outside of the beam.**

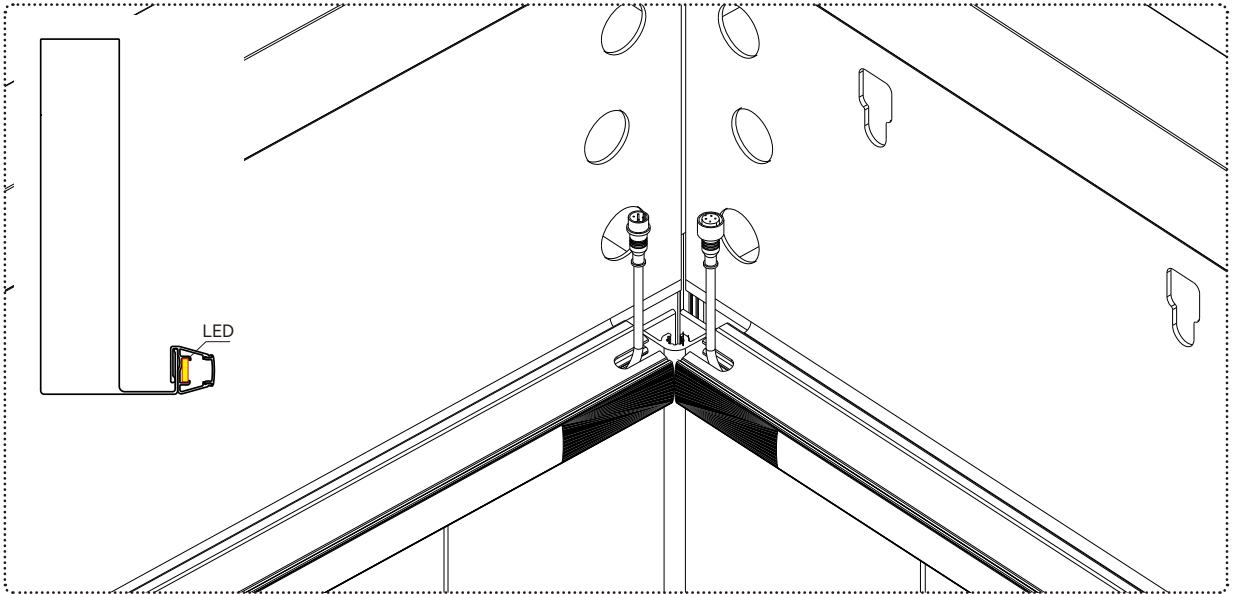


Pull the cable out through the drain outlet and connect it to the transformer.

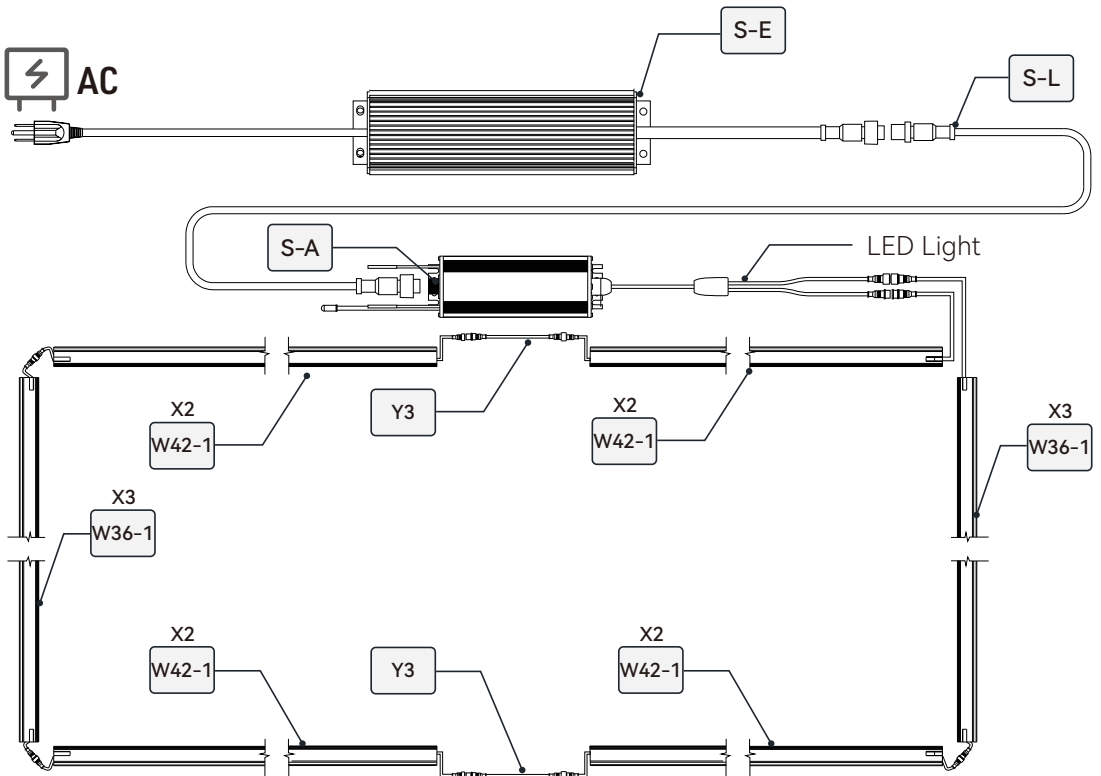


10. Install the light strip.

Snap the LED light trough into the edge of the beam's drainage channel.

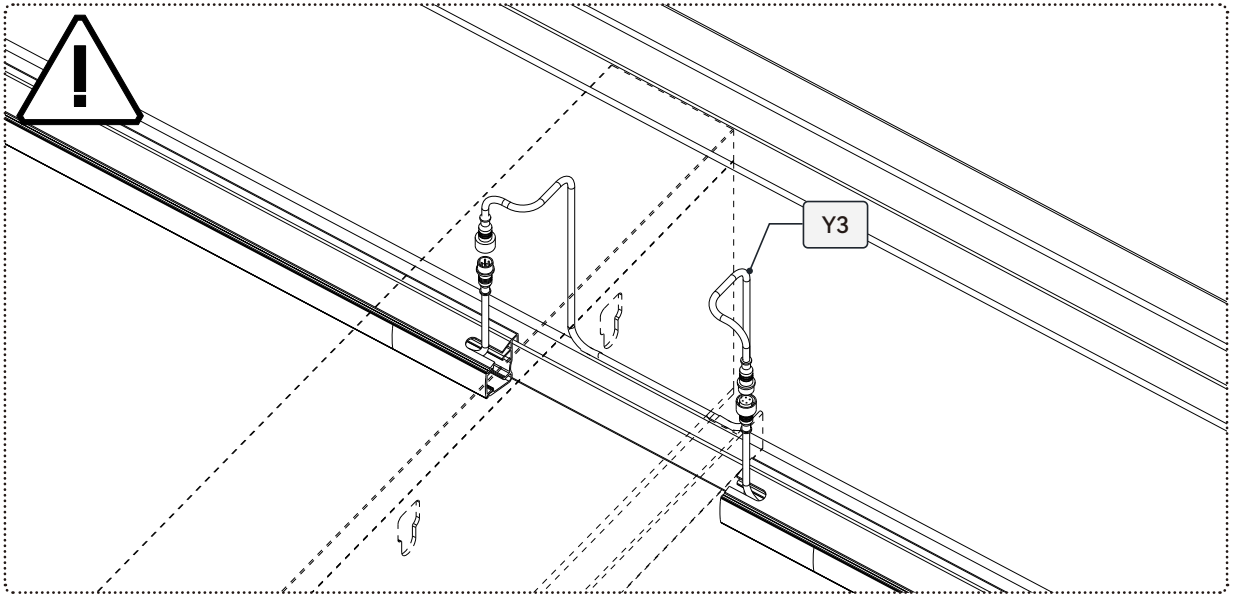


11. Wire connection



12. Points to Note During Installation

The light strips connected to the middle beam need to be joined together with the extension cord Y3 in accordance with the diagram.





 @paragonoutdoorcompany

Paragon Group USA

Customer Service Contact Information: 1-877-782-4482
support@paragon-outdoor.com