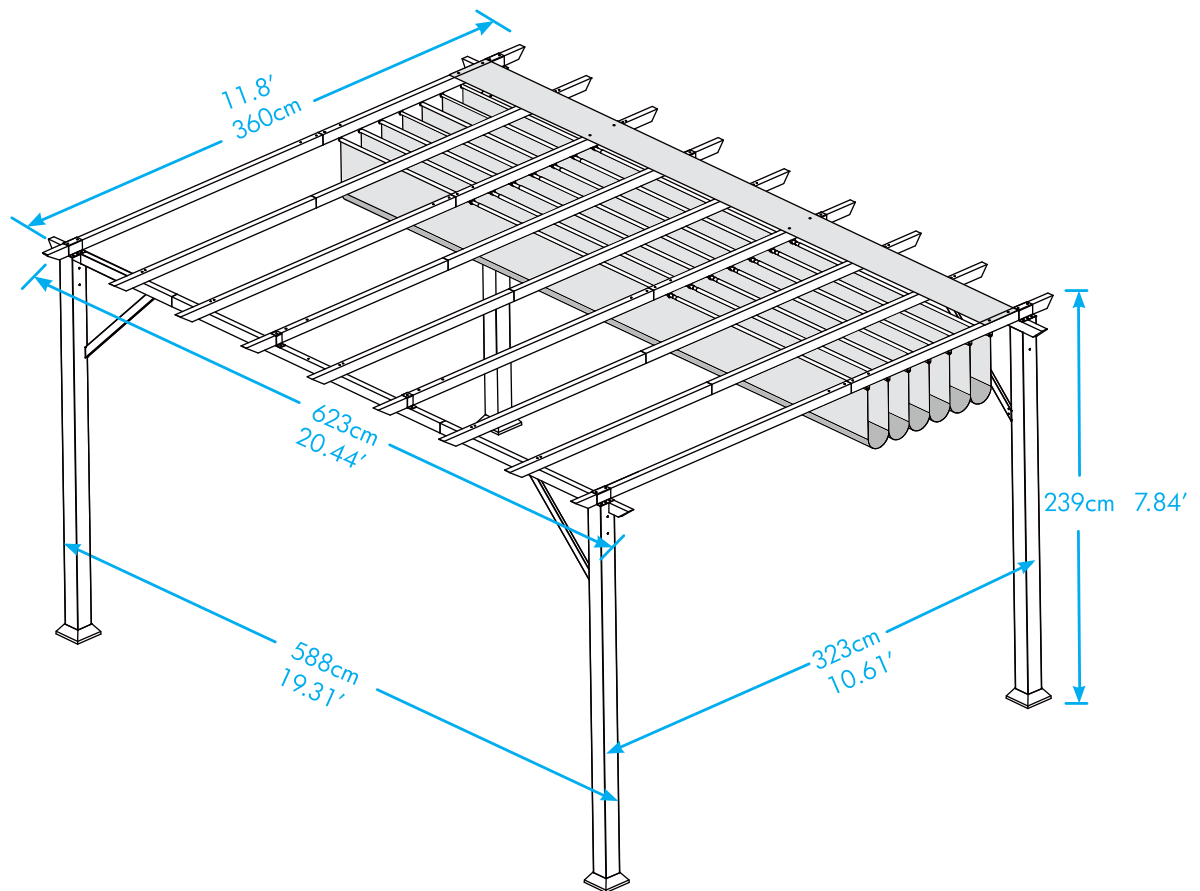




12' x 20' Pergola

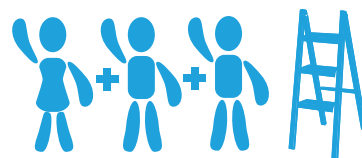
Assembly Instructions



@paragonoutdoorcompany

Paragon Group USA

Customer Service: (877) 782 4482 Email: cs-outdoors@paragongroupusa.com



Introduction

Thank you for purchasing the Pergola .
When properly assembled and maintained, this pergola will provide many years of enjoyment!

These instructions include helpful hints and important information needed to safely assemble and properly maintain the pergola. Please read these instructions completely before you begin.

Our patented pergola has been designed for easy assembly. All steps can be completed by a team of three people. The assembly should take about two hours.

Before Starting Assembly:

CAREFULLY READ ALL THE INSTRUCTIONS BEFORE YOU BEGIN AND FOLLOW THE STEPS IN THE ORDER THEY ARE PRESENTED.

1. Make sure you have all the necessary parts:
Compare the contents of the four cartons to the List of Parts. If any parts are missing or damaged, or you have any questions, please contact Customer service: (877)782 4482 before beginning assembly.
2. Lay the parts out in separate staging areas:
The List of Parts has the corresponding step number referenced to each part. We recommend that while you go through the list, make staging areas for each step and place the parts necessary for step each in these areas. This will save you time and effort during assembly.
3. Select a Location:
When selecting a location for your pergola, a flat level area is essential and if possible with proper water drainage and easy access to power and water, if necessary.
Choose a sunny, level position away from overhanging trees and power lines and protected from the wind as much as possible. Locate underground pipes or cables before preparing the site or anchoring the pergola.
Note: You may assemble the pergola on a hard level surface and move it to its final location when finished. Make sure that there are no obstacles between the assembly area and the final position.
4. Prepare a Foundation:
After choosing a location, proper preparation of the site is recommended. The site must be level. If the site is not level, create a base slightly larger than the outside dimensions of the pergola using a perimeter of two by fours filled with either soil, sod or gravel.
Make sure the base is square by measuring the diagonals from both directions and making sure they are equal. The pergola is secured with pegs into holes cast with concrete.
you If decide to have a concrete base, it is best to contact a reliable contractor to make sure it is flat and level. Make sure you have checked with your local authorities regarding any required building permits.
5. Make sure you have the proper tools:
 - Tape Measure
 - Work Gloves
 - Safety goggles
 - Phillips Screwdriver
 - Spirit Level
 - 2 Small Step Ladders
 - Wooden Mallet
 - Scissors
 - Liquid soap or WD40 Lubricant
 - Hex Key (included)

NOTE: A cordless drill with Phillips head bit is highly recommended but not essential.

Safety Advice

- The pergola must be positioned and fixed on a flat level surface.
- Dispose of all plastic bags safely. Keep them out of the reach of children.
- Keep children and pets away from the assembly area until the work is completed.
- Always wear shoes, gloves and safety goggles when working.
- Take special care not to touch overhead power lines with the aluminium profiles.
- Do not attempt to assemble the pergola in windy or wet conditions.
- Do not position your pergola in an area exposed to excessive wind.
- If using power tools or a ladder, always follow the manufacturers safety instructions.
- Hot items such as recently used grills, blow-torches etc. must not be stored in the pergola.
- Make sure the pergola complies with local building codes.

Table of Contents

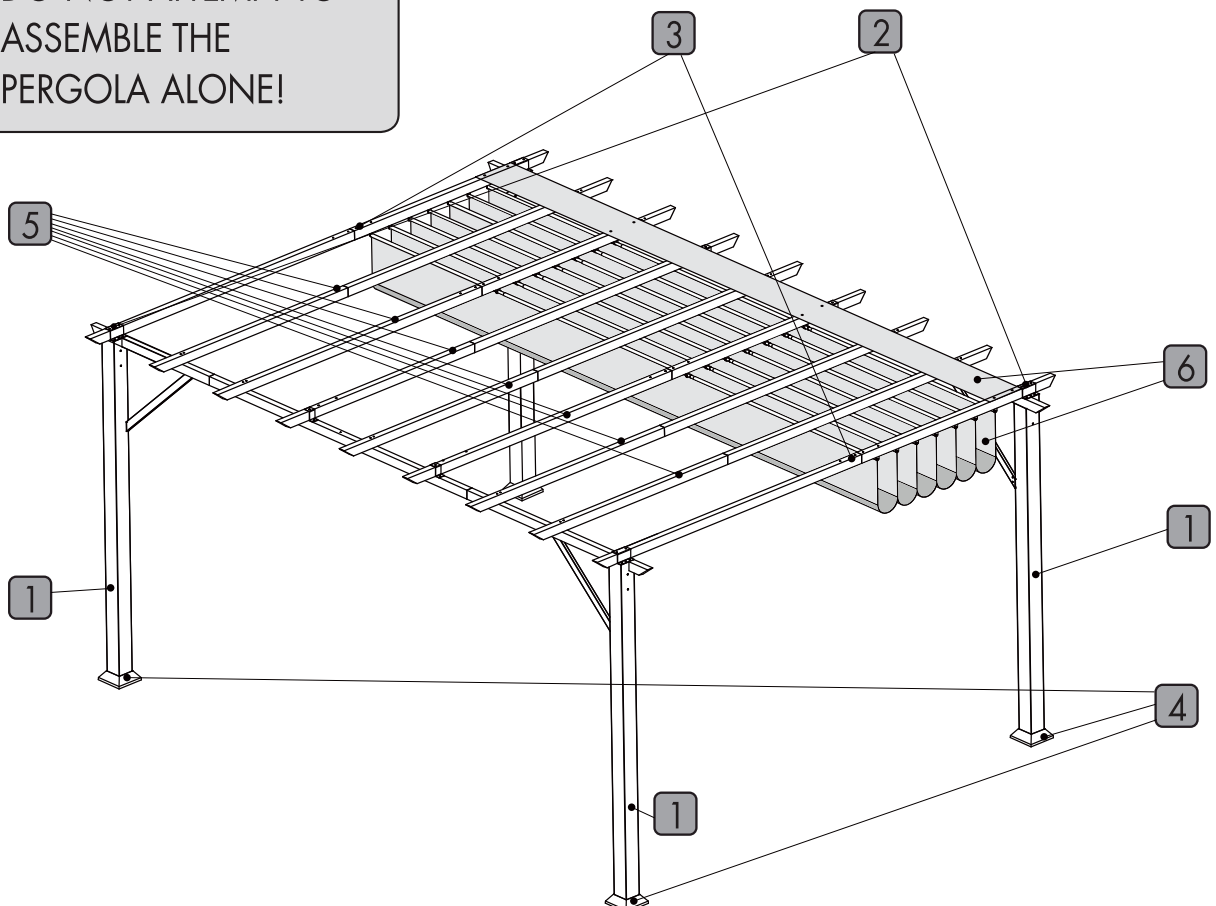
Introduction.....	2
Table of Contents.....	3
List of Parts.....	4
Step 1 : Assembling the Corner Posts	6
Step 2 : Attaching the Beams to the Corner Posts.....	8
Step 3 : Building the Basic Frame	10
Step 4 : Securing the Pergola to the ground..	12
Step 5 : Installing the Roof Beams.....	13
Step 6 : Installing the Canopy	16

General Order of Assembly

- Step 1** : Assembling the Corner Posts
- Step 2** : Attaching the Beams to the Corner Posts
- Step 3** : Building the Basic Frame
- Step 4** : Securing the Pergola to the ground
- Step 5** : Installing the Roof Beams
- Step 6** : Installing the Canopy



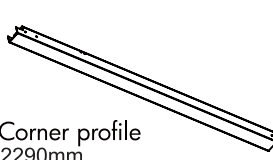

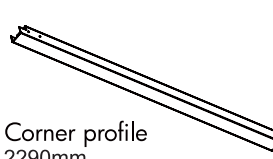

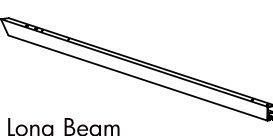
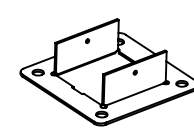

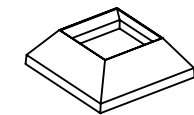
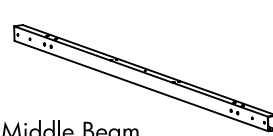
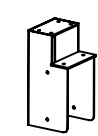
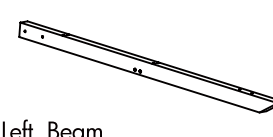
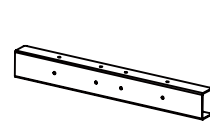
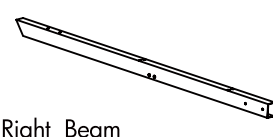
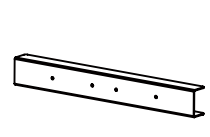
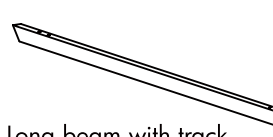
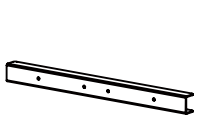
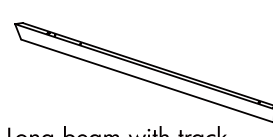
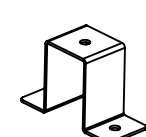
ATTENTION:
DO NOT ATTEMPT TO
ASSEMBLE THE
PERGOLA ALONE!


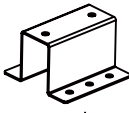
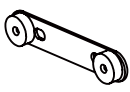
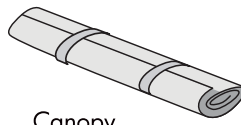
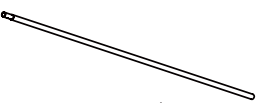


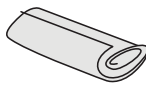
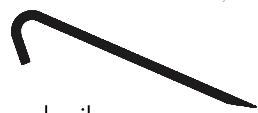










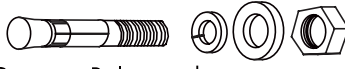




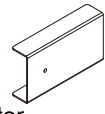
List of Parts



The gazebo is shipped in four cartons. These cartons are heavy. Be careful when lifting them. Wear proper safety gear including work shoes, gloves and goggles. The parts are identified by removable stickers. Place all the parts for each step in staging areas, checking that you have all parts as you go. If any parts are missing or damaged, contact customer service before beginning assembly:
Customer Service: (877) 782 4482 Email:cs-outdoors@paragongroupusa.com

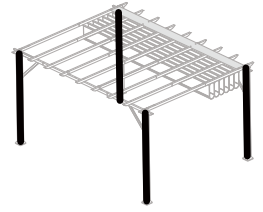
No	Part	Qty	Step	No	Part	Qty	Step
1	 Corner profile 2290mm	2	1	7	 Short beam with track 1530mm	2	3
1A	 Corner profile 2290mm	2	1	7A	 Short beam with track 1530mm	2	5
2	 Long Beam 2070mm	5	5	8	 Support plate	4	1
3	 Short Beam 1530mm	5	5	9	 Support frame	4	1
4	 Middle Beam 2100mm	2	2	10	 Roof connector	4	1
5	 Left Beam 2070mm	2	2	11A	 Beam connector	4	2
5A	 Right Beam 2070mm	2	2	11	 Beam connector	5	5
6	 Long beam with track 2070mm	2	3	12	 Beam connector	4	3,5
6A	 Long beam with track 2070mm	2	5	13	 Roof connector	4	5

No	Part	Qty	Step
14	 Metal Cover Connector	2	6
15	 Post connector	4	2
16	 Magnet	6	2
17	 Canopy	1	6
18	 Canopy Rod	7	6
18A	 Canopy Rod	14	6
19	 Canopy Rod	7	6
20	 Canopy Cover	1	4
21	 Ground spike	16	4
22	 Screw 1/4"x110mm	28	2,5
23	 Screw 1/4"x15mm	164	1,2,3,5
24	 Screw 1/4"x20mm	14	6

No	Part	Qty	Step
25	 Screw M4x12mm	25	3,5,6
25A	 Screw M4x10mm	8	6
26	 Screw	14	3
26A	 Screw	14	5
27	 Magnetic hex key	1	
28	 Concrete Bolts, washers M8x70mm	16	4
29	 Metal Cover Connector	2	2
30	 Metal Cover Connector	2	2
31	 Bar Connector	2	2
32	 Bar Connector	2	2
34	 Rail connector	4	3,5

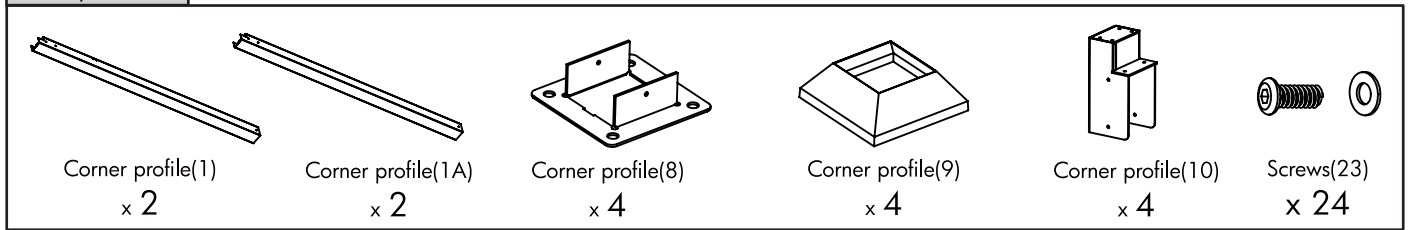
We included some extra screws and bolts for your convenience.

STEP 1 Assembling the Corner Posts



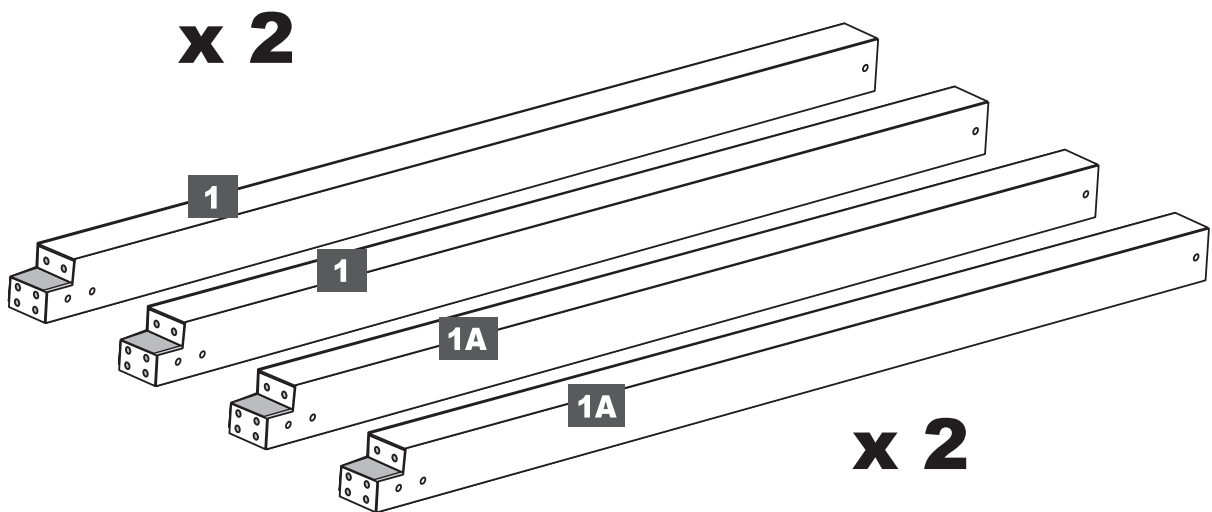
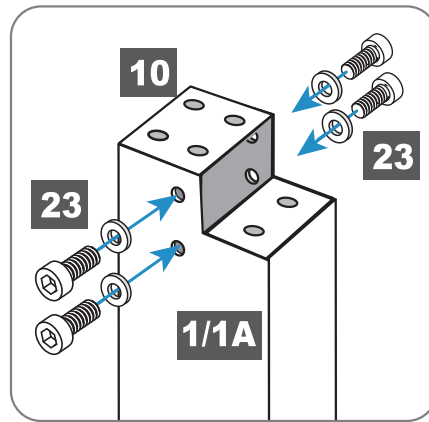
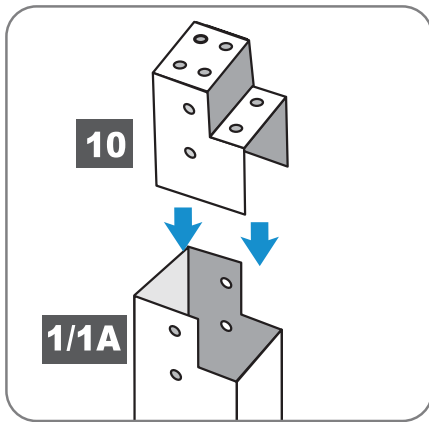
Place all the parts on a level surface.
Make sure the pieces are in the correct positions before assembling.
Carefully follow the order of assembly to ensure an easy installation.
Wear proper safety gear including work shoes, gloves and goggles.

Components



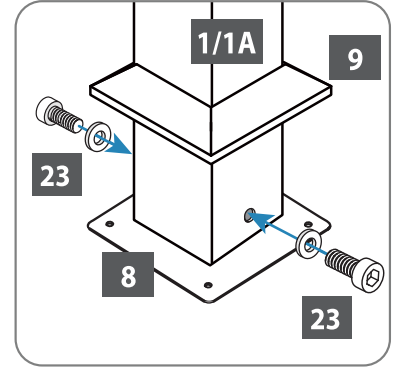
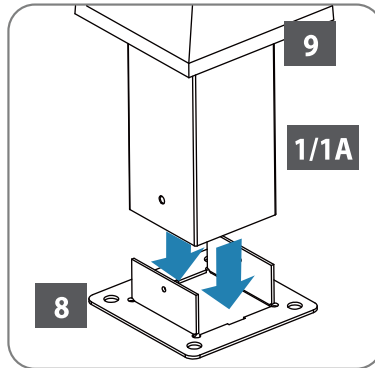
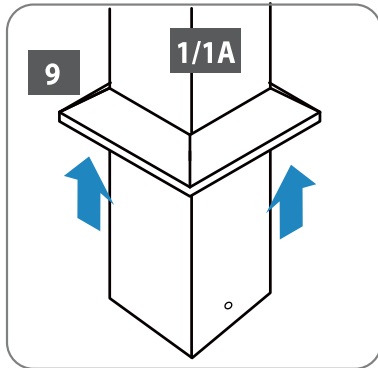
1.A

Place corner profiles (1/1A) parallel to each other the ground. Insert one roof connector (10) into each top end as shown and fasten with screws (23).

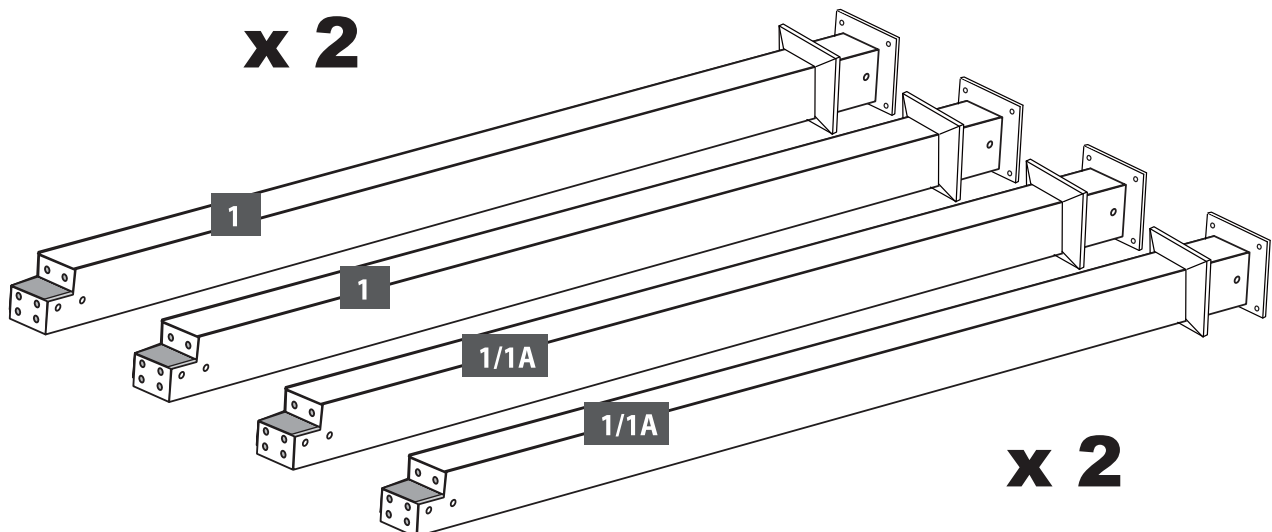
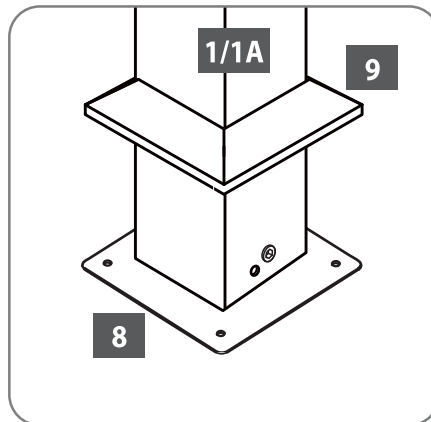


1.B

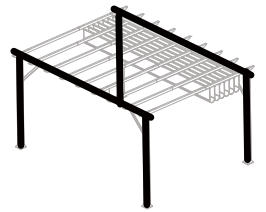
Slide support frames (9) over lower end of corner profiles (1/1A). Align pre-drilled screw holes in corner profiles (1/1A) with screw holes in support plate (8). Attach support plates (8) to corner profiles (1/1A) as shown, using two screws (23) for each plate.



Leave support frames (10) about 10" over lower end of corner profiles (1/1A) until step 4 (Securing the pergola to the ground)



STEP 2 Attaching the Beams to the Corner Posts



Components

2.A

Insert beam connector (11A) into hollow ends of one left beam (5), middle beam (4) and right beam (5A) as shown. Attach with sixteen screws (23) on side.

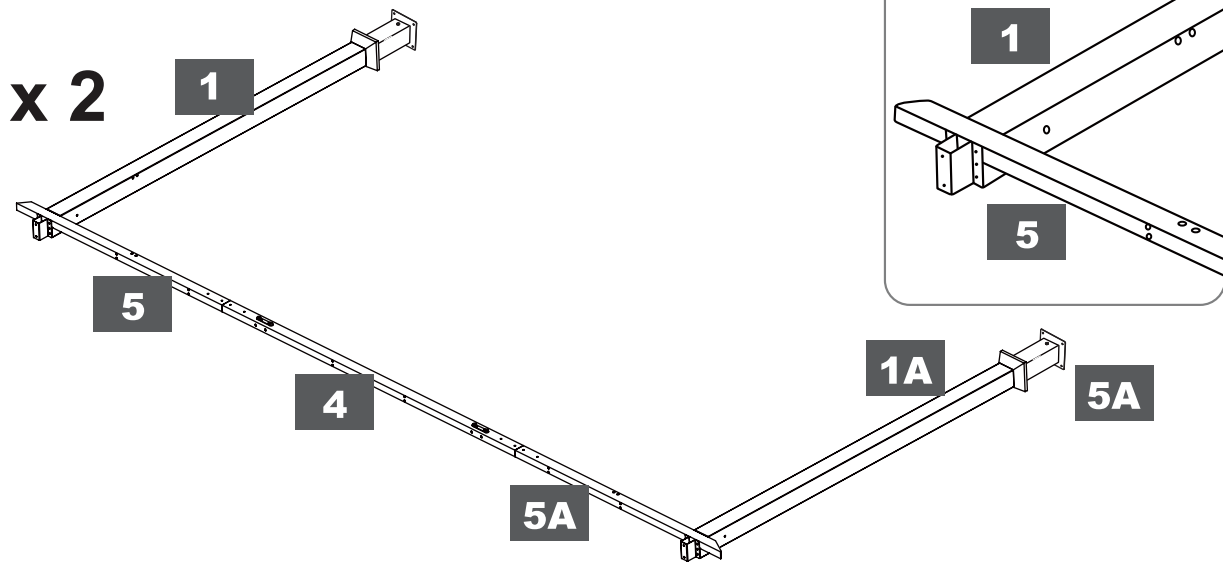
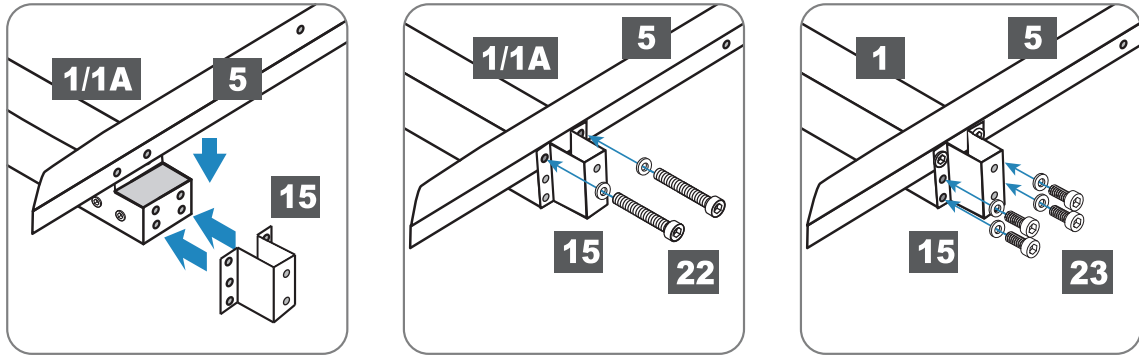
2.B

Attach magnet (16) to side of long beam (4,5,5A) as shown. Attach with two screws (23).

Repeat steps 2A and 2B to create two sets of long beams.

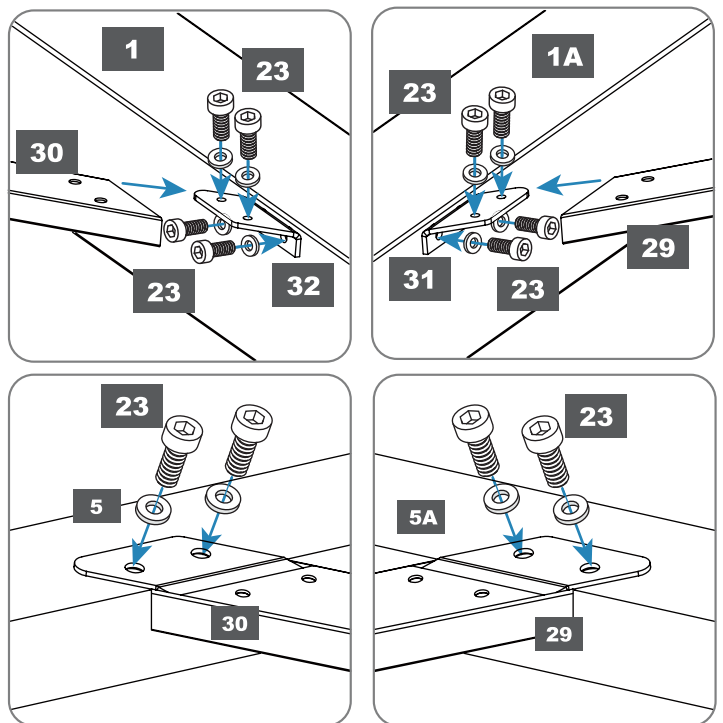
2.C

Place one long beam (4,5,5A) into cut-out on corner posts (1,1A) with rivet nuts facing inside as shown. Attach post connector (15) using two screws (22) through pre-drilled holes in long beam (4,5,5A). Attach post connector to post using four screws (23). Do not tighten the screws, you will tighten them in STEP 3.



2.D

Attach reinforce bar connector (31/32) on corner post (1/1A) using two screws (23) each. Insert reinforce bar (29/30) into reinforce bar connector (31/32) fasten with two screws (23) each. Attach reinforce bar (29/30) with long beam (5,4,5A) using two screws (23) each.



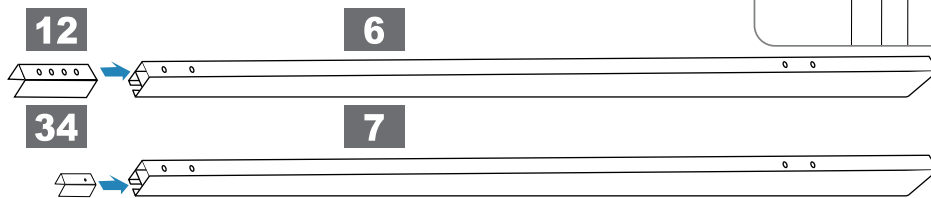
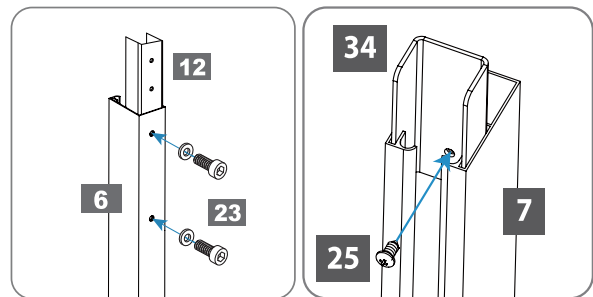
STEP 3 Building the Basic Frame

! IMPORTANT: You need at least 3 people to complete this step!

Components

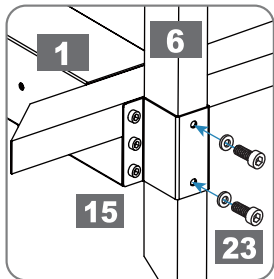
- Long beam with track (6) x2
- Short beam with track (7) x2
- Canopy loops (26) x14
- Screw (23) x16
- Screw (25) x2
- Rail connector (34) x2
- Beam connector (12) x2

3.A Insert t beam connectors (12) into long beams with track (6) as shown and fasten using two screws (23) each.
 Insert t beam connectors (34) into long beams with track (7) as shown and fasten using one screw (25).

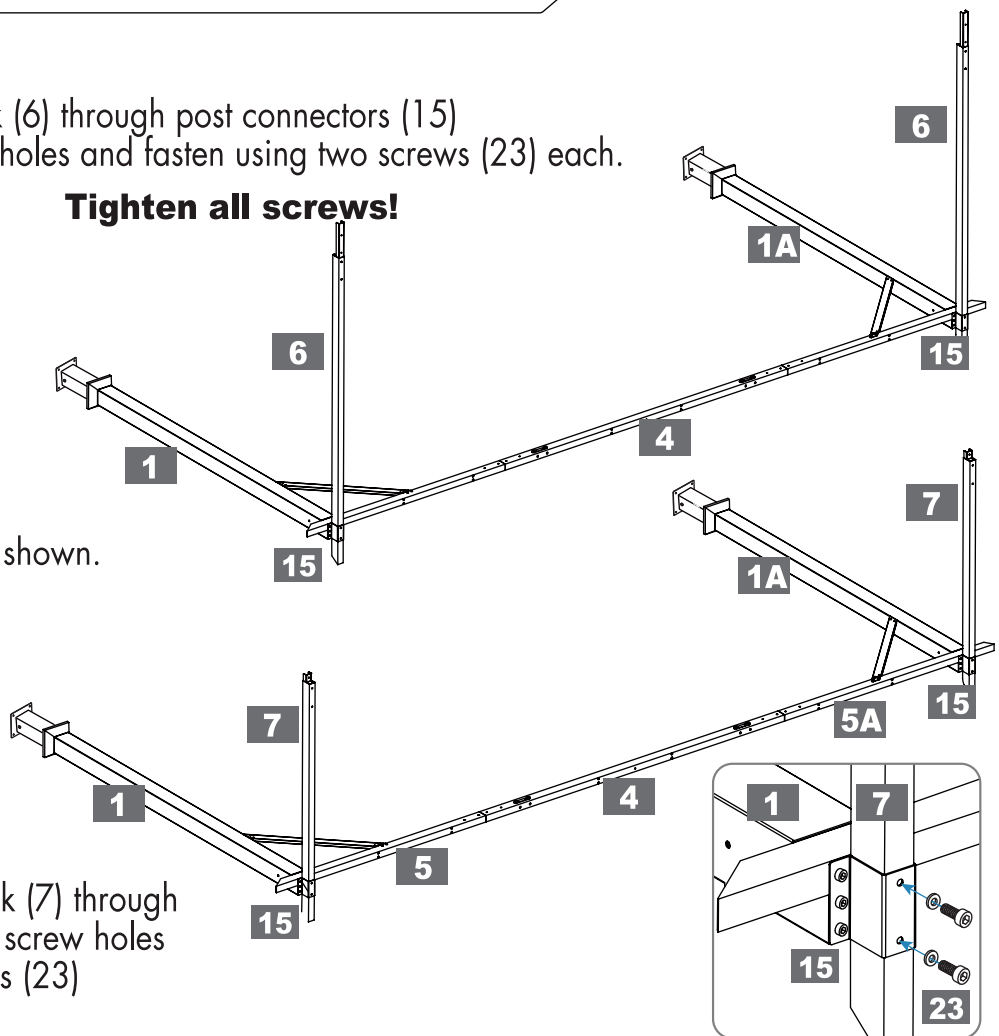
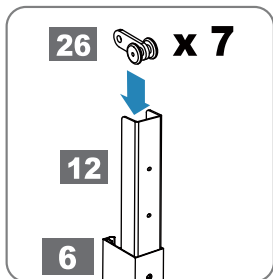


Insert long beams with track (6) through post connectors (15) on top of posts, align screw holes and fasten using two screws (23) each.

Tighten all screws!



Insert 7 canopy loops (26) into each long beam (6) as shown.



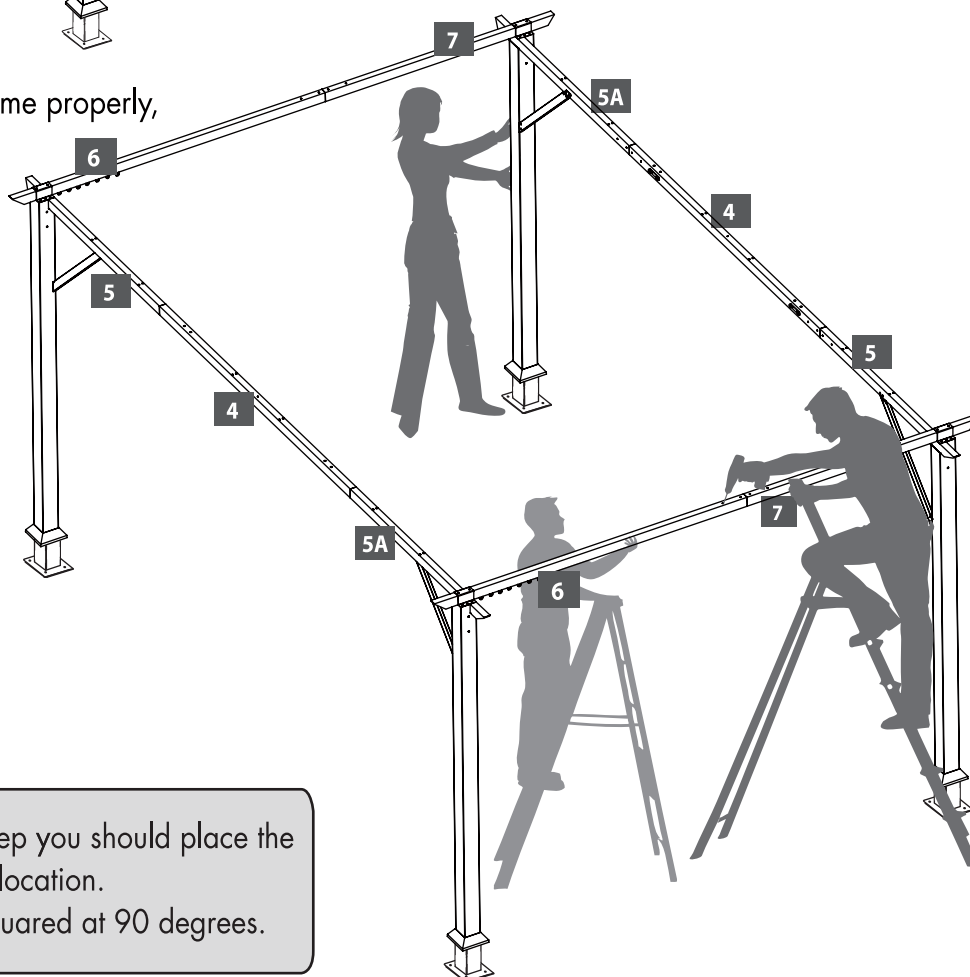
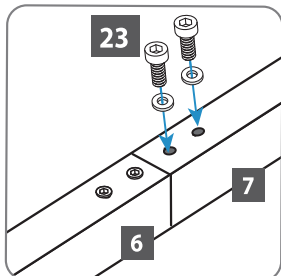
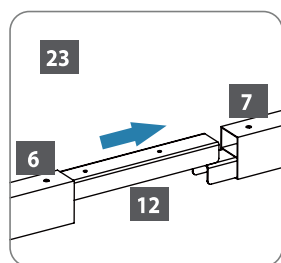
Insert short beams with track (7) through post connectors (15), align screw holes and fasten using two screws (23) each. Tighten all screws!

3.B

Using at least 3 people, lift frame sets and slide beam connectors (12) on long beams with track (6) into short beams with track (7) as shown.

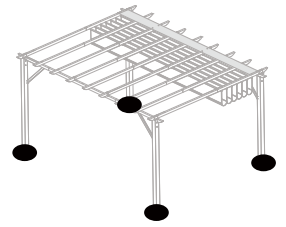


Making sure to support the frame properly, fasten using screws (23).

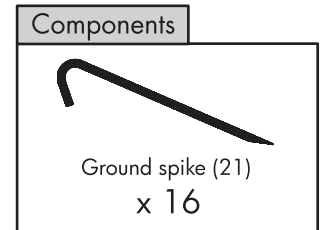
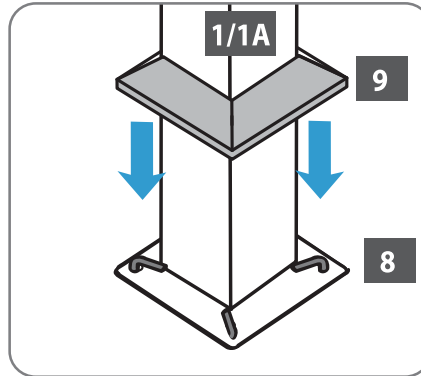
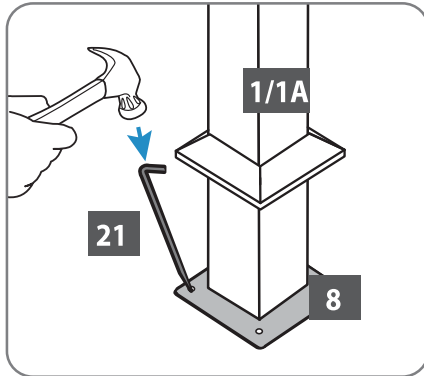


IMPORTANT: After this step you should place the pergola frame in its desired location. Make sure all corners are squared at 90 degrees.

STEP 4 Securing the Pergola to the Ground



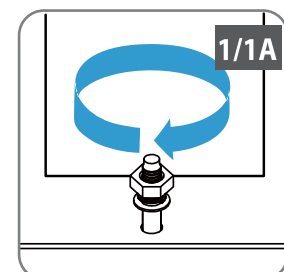
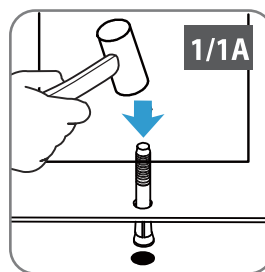
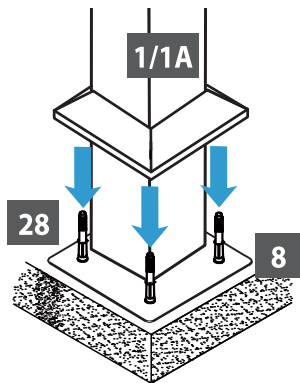
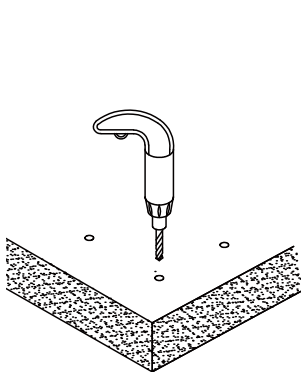
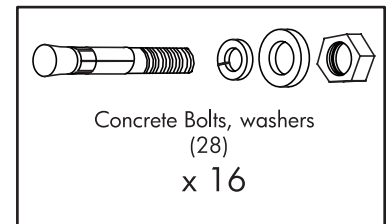
Fasten the pergola frame to the ground, using four spikes (21) for each support plate. Lower support frames (9) to cover support plates (8).



Optional Securing the Pergola to a Concrete Floor or Wood Deck

Concrete Floor:

1. Using a concrete drill, drill holes into the concrete floor, corresponding to the holes in support plates (8).
2. Insert concrete bolts into the holes and hammer into place, using a mallet.
3. Fasten concrete bolts with washers and nuts.

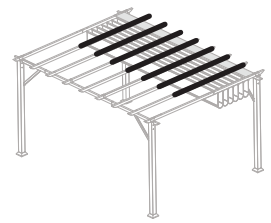


Wood Deck:

1. Using an electric wood drill, drill holes into the wood floor, corresponding to the holes in support plates (8).
2. Insert wood screws with washers (not supplied) into the holes and fasten, using an electric screw driver.



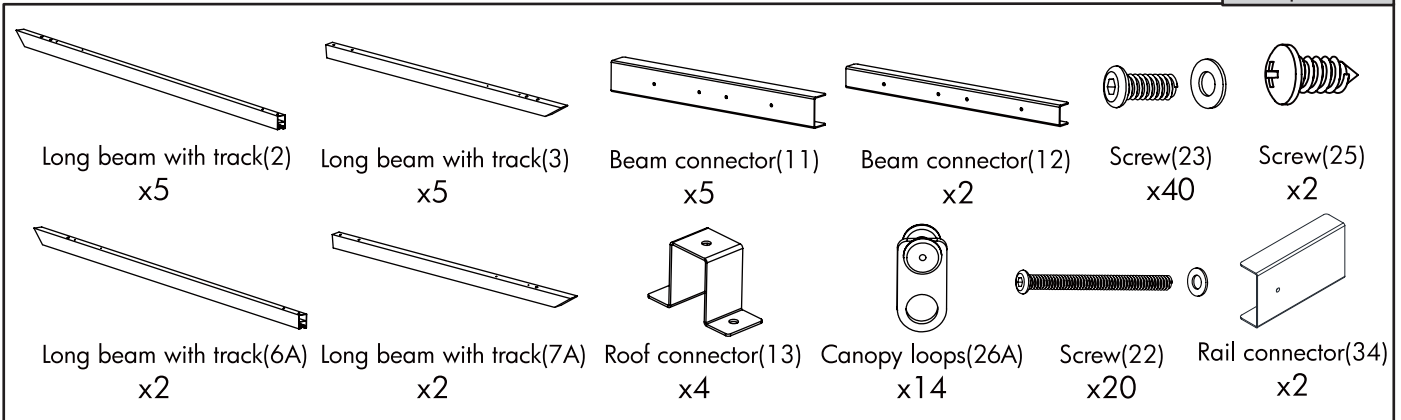
STEP 5 Installing the Roof Beams



ATTENTION:

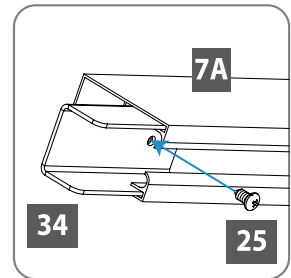
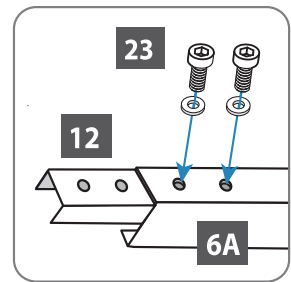
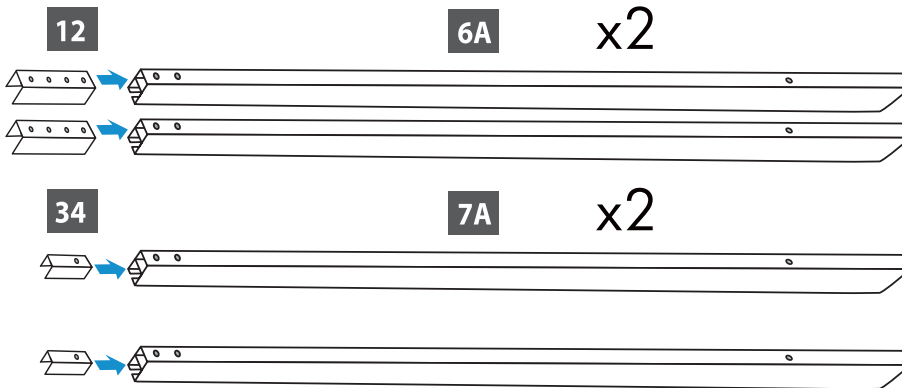
DO NOT ATTEMPT TO ASSEMBLE THIS ALONE!

Components

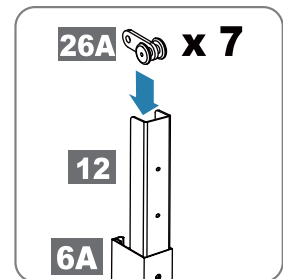


5.A

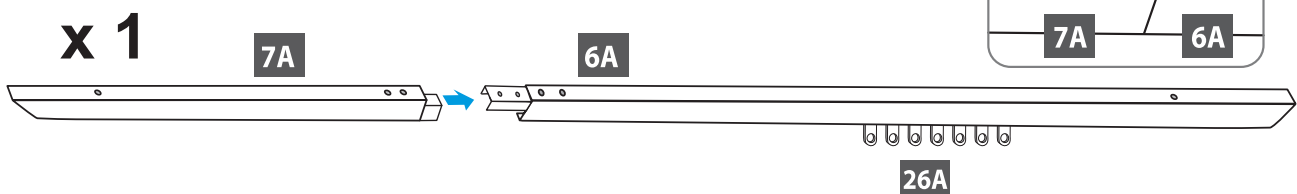
Insert beam connector (12) into long beam with track (6A) as shown and fasten using two screws (23).
 Insert beam connector (34) into long beam with track (7A) as shown and fasten using one screw (25).



Insert 7 canopy loops (26A) into long beam with track (6A) as shown.

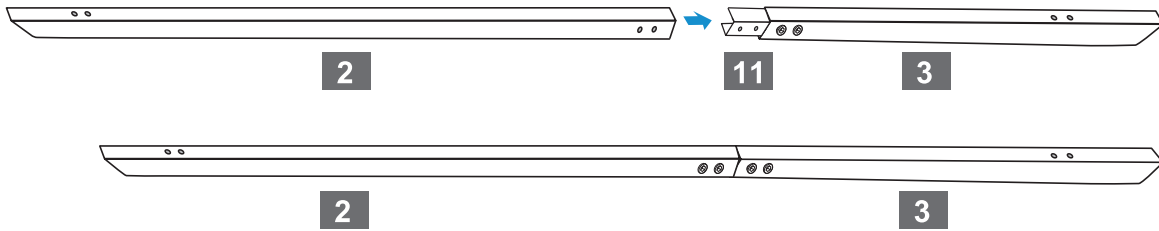


Connect long beam track (6A) to short beam with track (7A) as shown and fasten, using two screws (23).

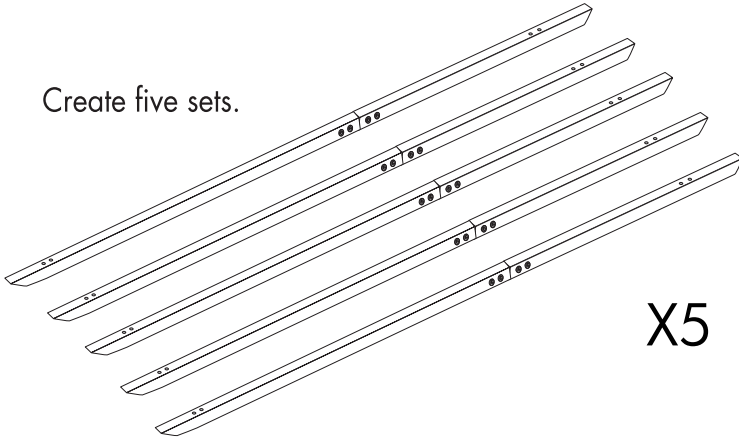


5.B

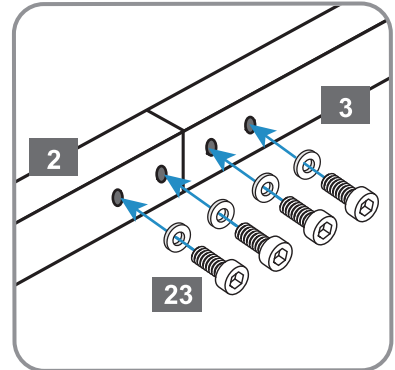
Insert beam connector (11) into beams (2) and (3) as shown and fasten using four screws (23).



Create five sets.



X5

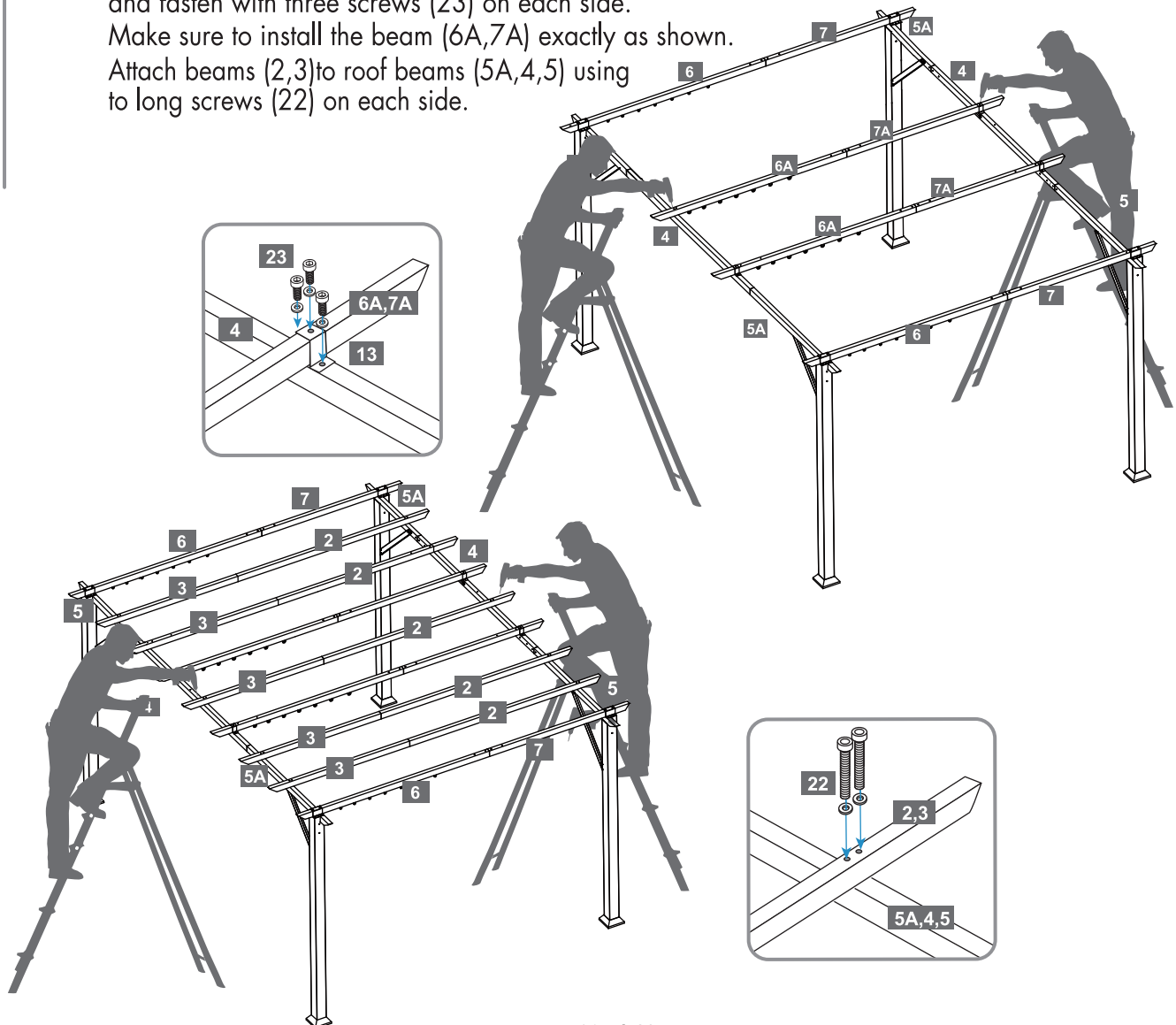


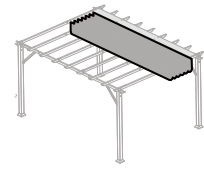
5.C

Attach beam with track (6A,7A) to roof beams (5A,4,5) using roof connector (13) and fasten with three screws (23) on each side.

Make sure to install the beam (6A,7A) exactly as shown.

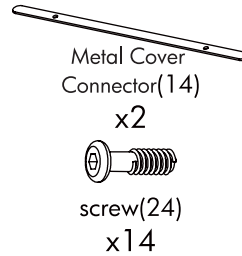
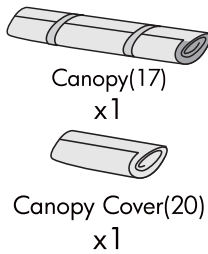
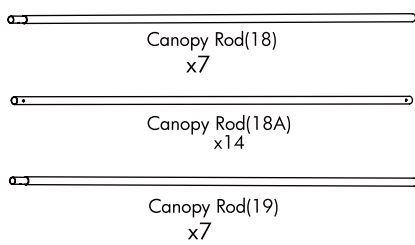
Attach beams (2,3) to roof beams (5A,4,5) using long screws (22) on each side.





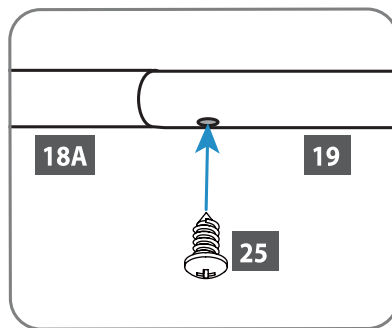
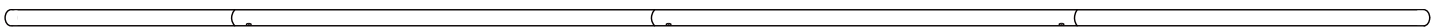
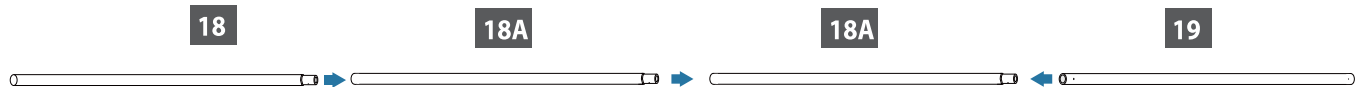
STEP 6 Installing the Canopy

Components



6.A

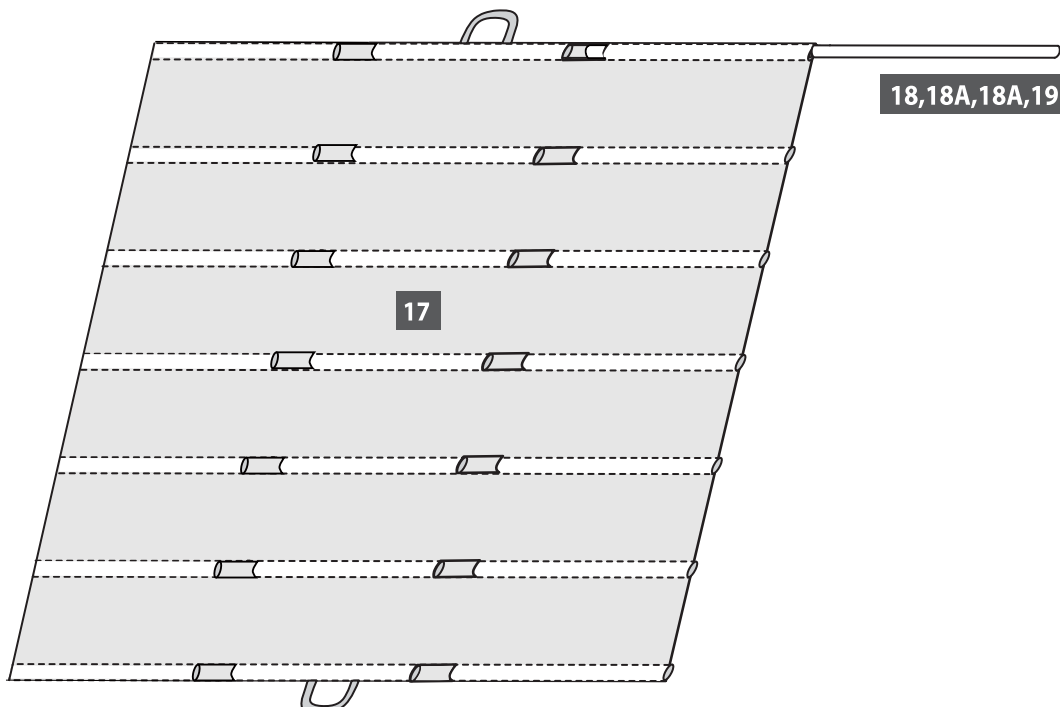
Insert canopy rods (18) into canopy rods (18A, 18A, 19) as shown and fasten with screws (25). Create 7 sets.



x7

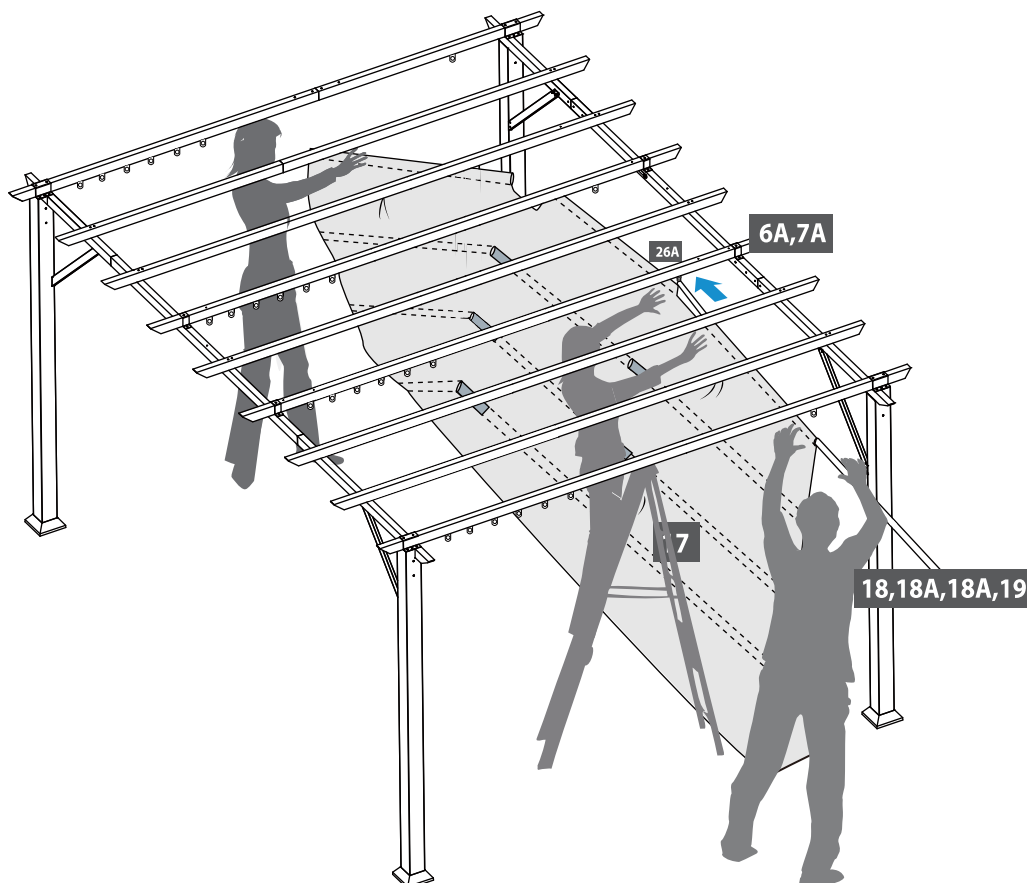
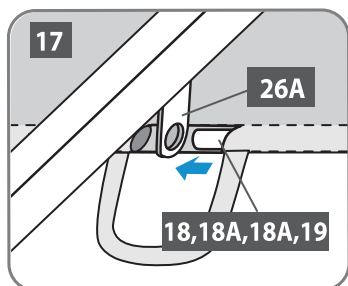
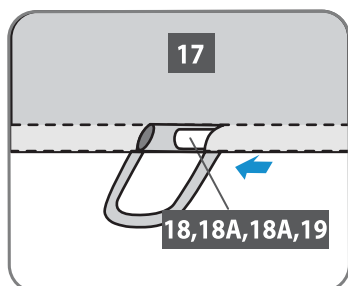
6.B

Spread out the canopy (17) on an even flat surface. Insert one canopy rod (18, 18A, 18A, 19) in to the first "sleeve" in the canopy until it shows in the first opening.



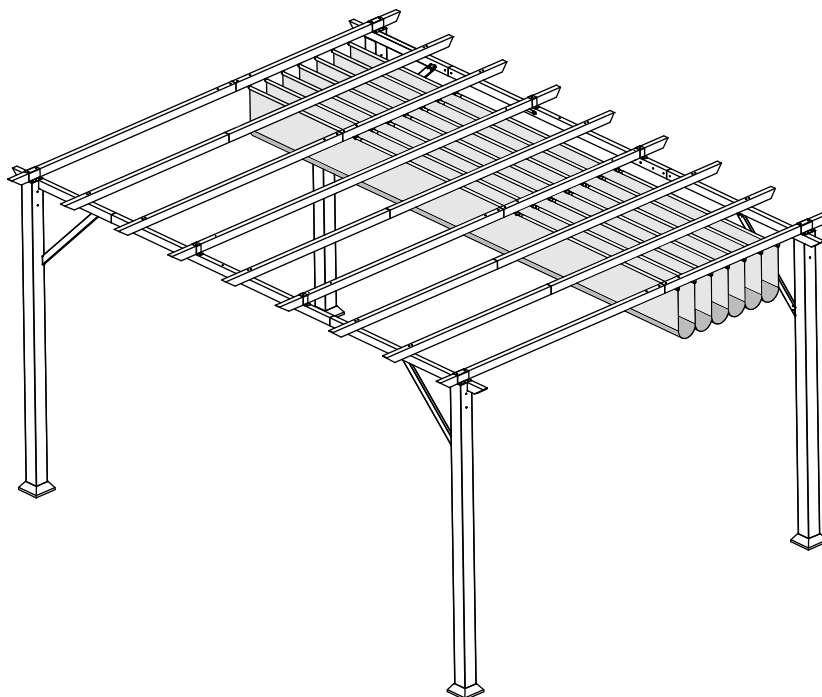
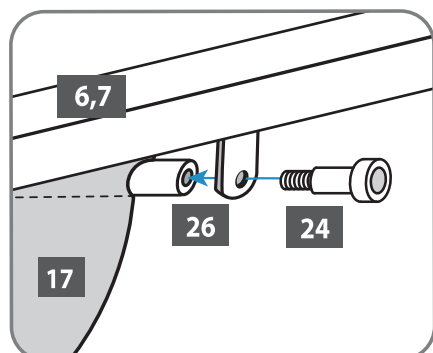
6.C

With the help of three people, pass the canopy rod (18,18A,18A,19) through the first canopy loop (26A) in beam with track (6A,7A) as shown. Continue sliding the rod through the canopy sleeve until it emerges at the other end.



6.D

Fasten the canopy rod (18,18A,18A,19) at each end to canopy loops (26) in beams with track (6,7) using screws (24). Repeat steps 6C/6D with all seven canopy rods (18,18A,18A,19). Use the attached handles to open and close the canopy. The magnets (16) you installed in step 2 will hold the unfolded canopy in place at each end.

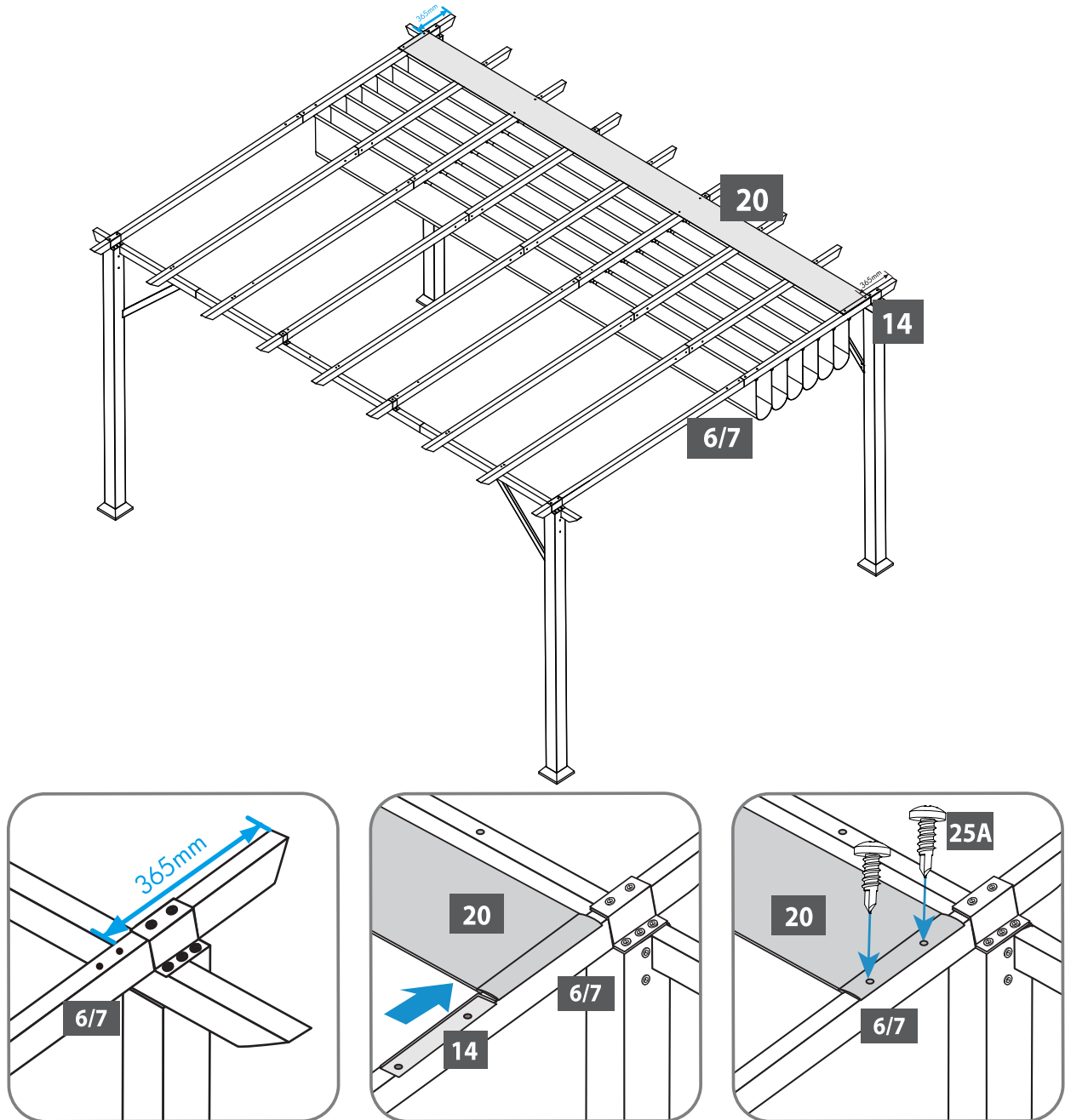


6.E

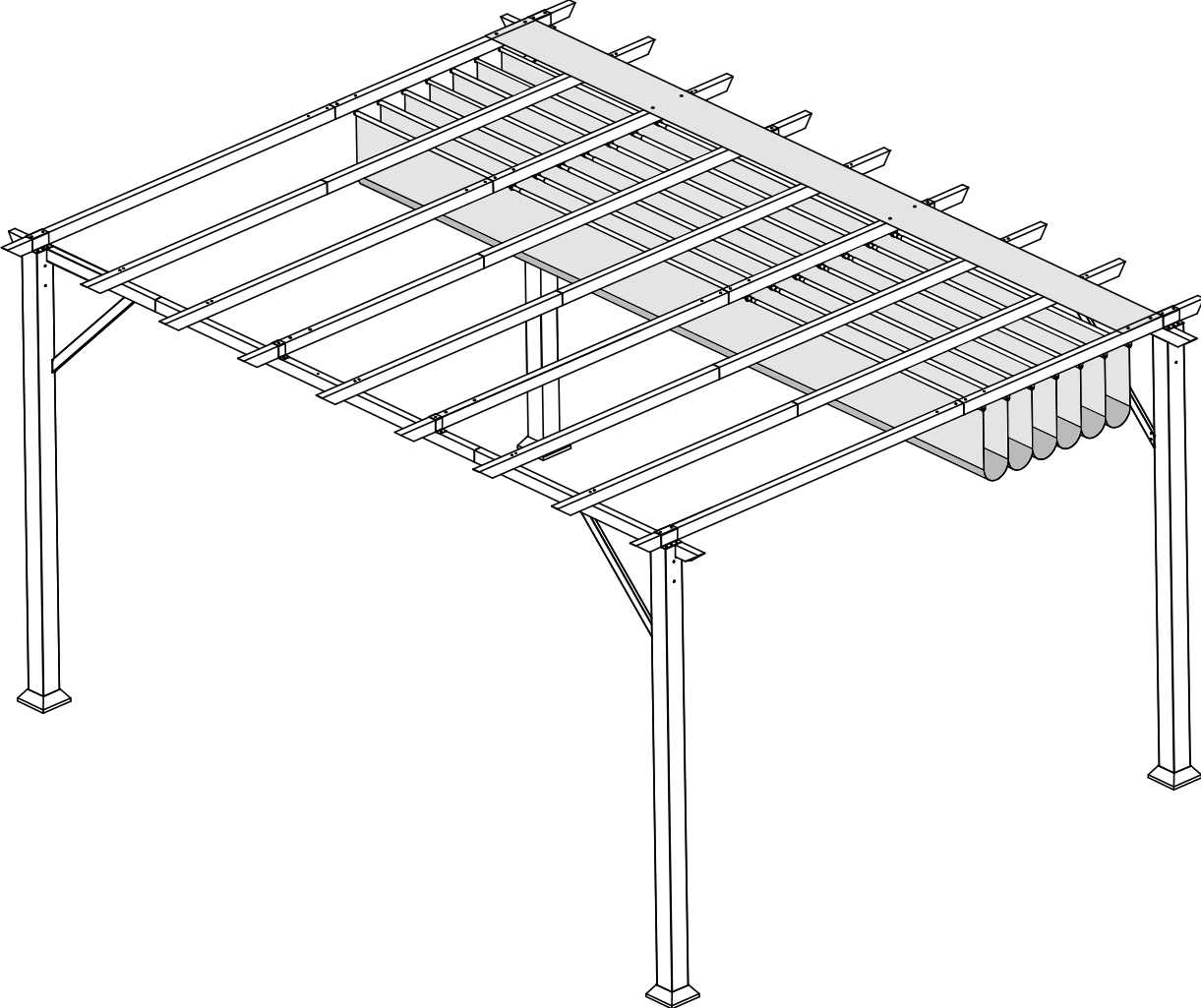
Measure and mark distance of 1.19' (36.5cm) from the edge on top of the roof beams (6/7) as shown.

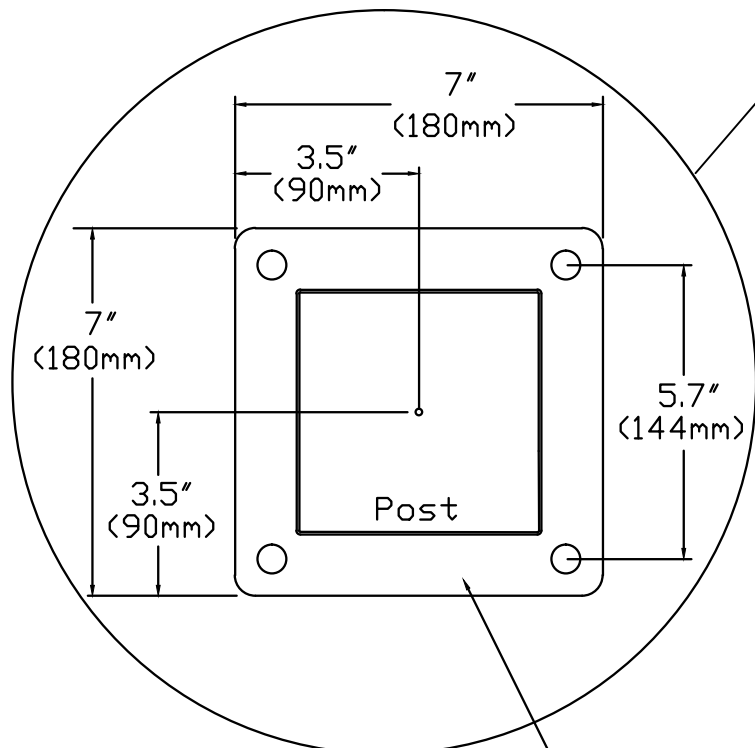
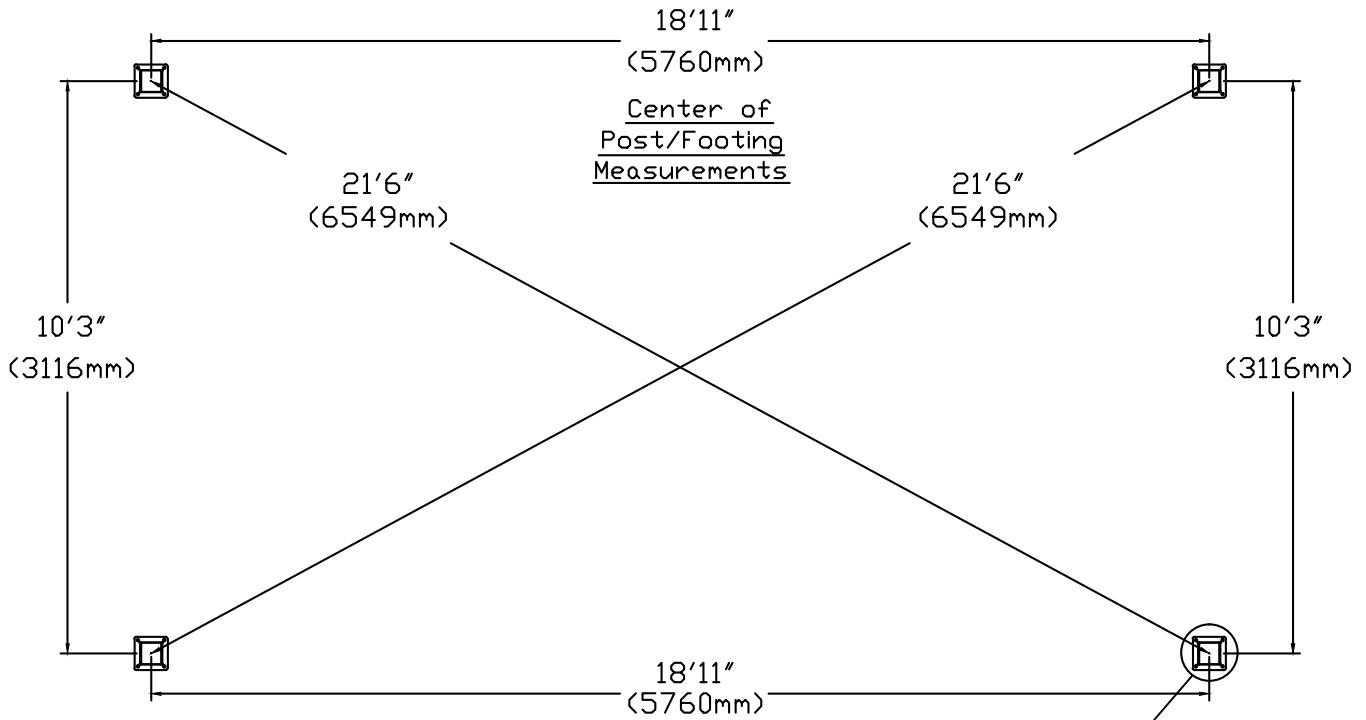
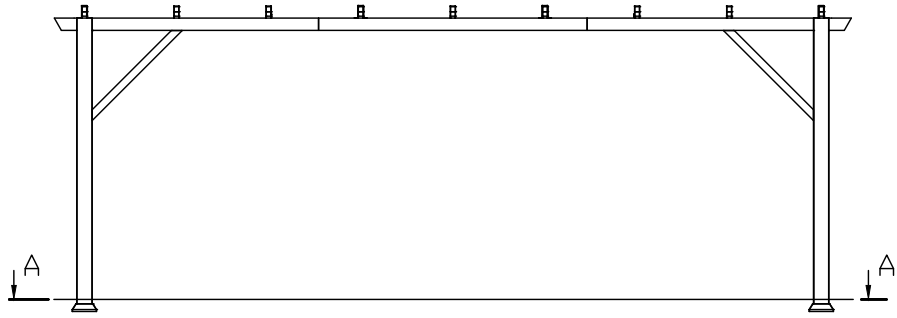
Slide metal cover connectors (14) into "sleeves" in canopy covers (20).

Fasten canopy covers (20) to the roof beams (6/7) with using screws (25A) as shown.



Enjoy your completed Pergola!





Post Detail

Post Mount



12' x 20' Pergola

Assembly Instructions

WARRANTY:

Warranty covers damage due to manufacturing defects only for a period of 3 years on the structure and 2 years on the roof/canopy from date of purchase. Warranty does not cover weather inflicted damage and/or damages caused by not following assembly instructions and adhering to warnings in manual. Warranty does not cover user error, negligence, or misuse.

⚠️ **WARNING:** Cancer and Reproductive Harm-
www.P65Warnings.ca.gov.

⚠️ **AVERTISSEMENT:** Cancer et Troubles de l' appareil reproducteur-
www.P65Warnings.ca.gov.

⚠️ **ADVERTENCIA:** Cáncer y Daño Reproductivo-
www.P65Warnings.ca.gov.



Paragon Group USA

Customer Service: (877) 782 4482 Email: cs-outdoors@paragongroupusa.com