

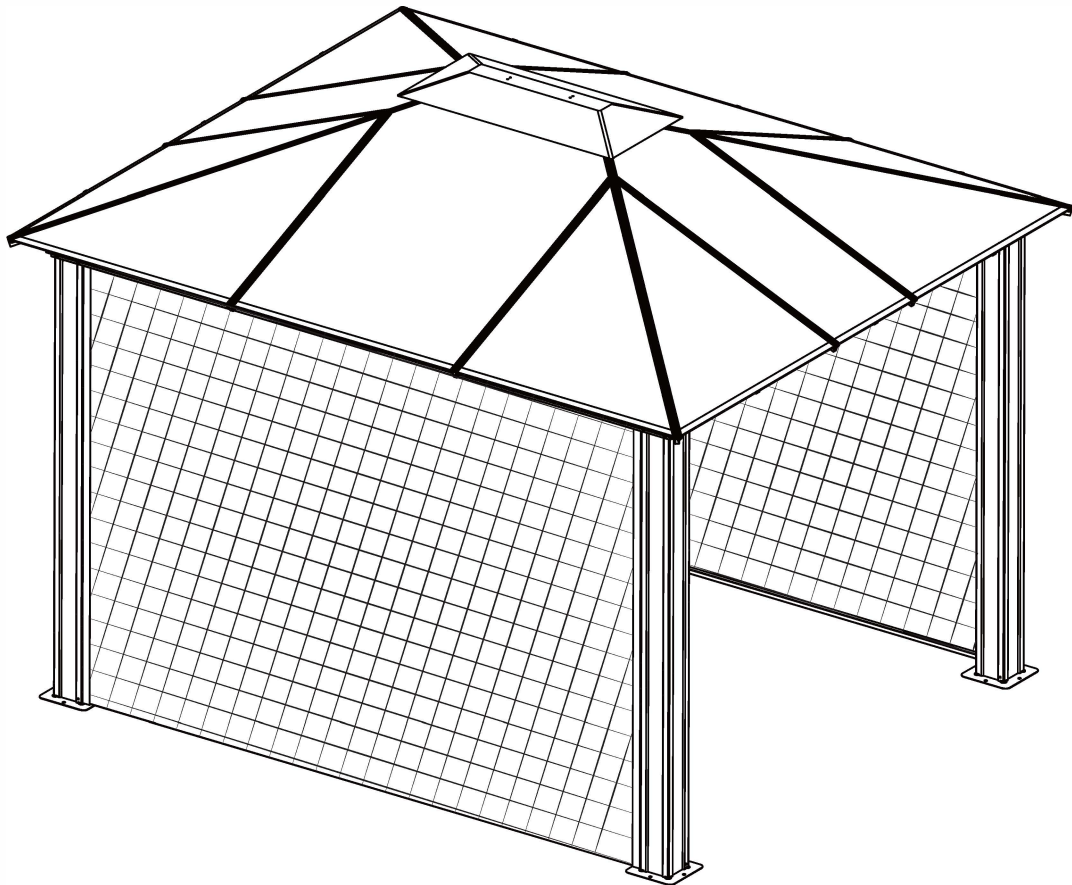
# Gazebo Rolling Screen

GZ3RL-10'

GZ3RL-12'

GZ3RL-14'

GZ3RL-16'



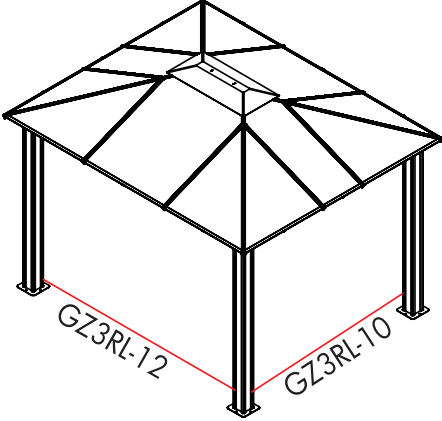
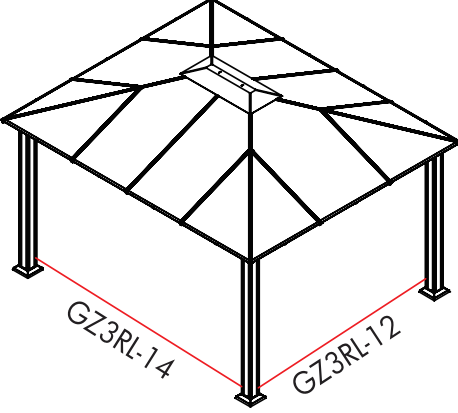
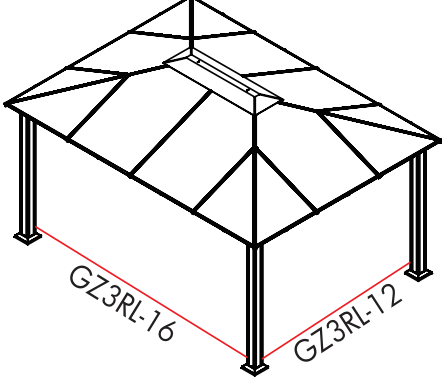
  @paragonoutdoorcompany

Paragon Group USA

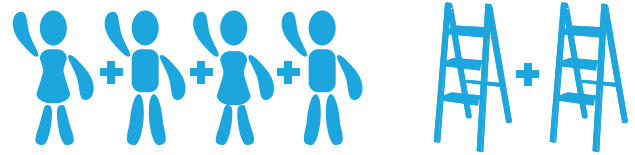
Customer Service: (877) 782 4482 Email: [cs-outdoors@paragongroupusa.com](mailto:cs-outdoors@paragongroupusa.com)



ATTENTION:  
THIS MANUAL IS FOR MULTIPLE SIZES USAGE, PLEASE MAKE SURE THE ROLLING  
SCREEN YOU PURCHASED MATCHES YOUR GAZEBO SIZE.

Gazebo Item Number	Screen Item Number
GZ3 1012	
GZ3 1214	
GZ3 1216	

# Introduction



Thank you for purchasing the Rolling Screen.  
When properly assembled and maintained, this gazebo will provide many years of enjoyment!

These instructions include helpful hints and important information needed to safely assemble and properly maintain the gazebo. Please read these instructions completely before you begin.

Our patented gazebo has been designed for easy assembly. All steps can be completed by a team of four people. The assembly should take about two hours.

## Before Starting Assembly:

CAREFULLY READ ALL THE INSTRUCTIONS BEFORE YOU BEGIN AND FOLLOW THE STEPS IN THE ORDER THEY ARE PRESENTED.

1. Make sure you have all the necessary parts:  
Compare the contents of all cartons to the List of Parts. If any parts are missing or damaged, or you have any questions, please contact Customer service: (877)782 4482 before beginning assembly.
2. Lay the parts out in separate staging areas:  
The List of Parts has the corresponding step number referenced to each part. We recommend that while you go through the list, make staging areas for each step and place the parts necessary for each step in these areas. This will save you time and effort during assembly.
3. Make sure you have the proper tools:
  - Tape Measure
  - Work Gloves
  - Safety goggles
  - Phillips Screwdriver
  - Spirit Level
  - 2 Small Step Ladders
  - Wooden Mallet
  - Scissors and knife
  - Liquid soap or WD40 Lubricant
  - Cordless drill with Phillips head bit

## Safety Advice

- The gazebo must be positioned and fixed on a flat level surface.
- Dispose of all plastic bags safely. Keep them out of the reach of children.
- Keep children and pets away from the assembly area until the work is completed.
- Always wear shoes, gloves and safety goggles when working.
- Take special care not to touch overhead power lines with the aluminium profiles.
- Do not attempt to assemble the gazebo in windy or wet conditions.
- Do not position your gazebo in an area exposed to excessive wind.
- If using power tools or a ladder, always follow the manufacturers safety instructions.
- Hot items such as recently used grills, blowtorches etc. must not be stored in the gazebo.
- Make sure the gazebo complies with local building codes.

## Table of Contents

Introduction.....	3
Table of Contents.....	4
List of Parts.....	5
<b>Step 1</b> : Assembling the Posts.....	6
<b>Step 2</b> : Assembling the profiles .....	8
<b>Step 3</b> : Installing netting screen on the Gazebo .....	10
<b>Step 4</b> : Installing accessories .....	14

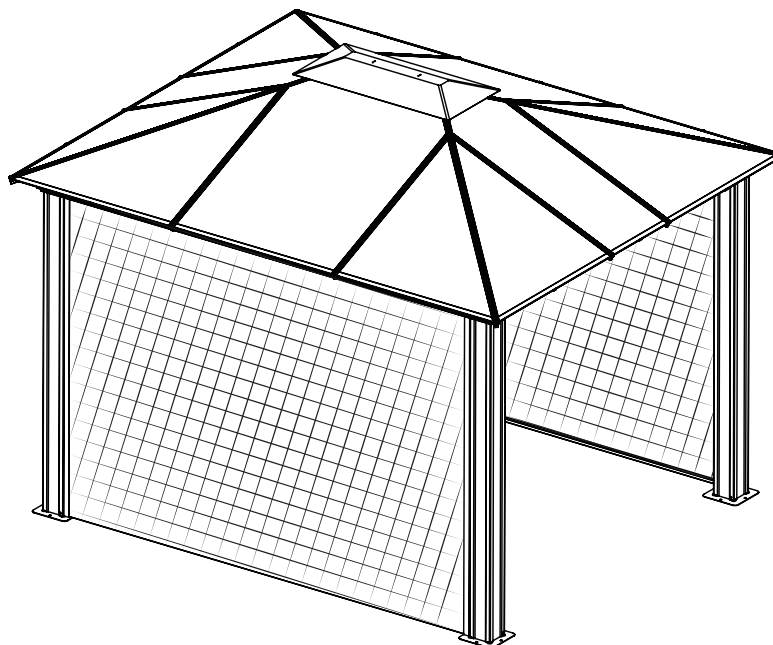
## General Order of Assembly

- Step 1** : Assembling the Posts
- Step 2** : Assembling the profiles
- Step 3** : Installing netting screen on the Gazebo
- Step 4** : Installing accessories



### **ATTENTION:**


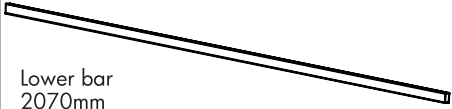

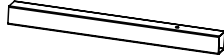


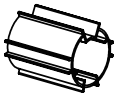
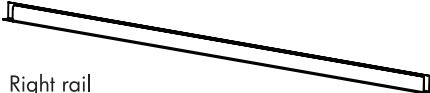
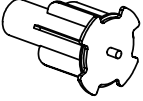
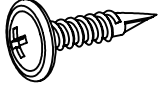
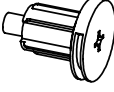
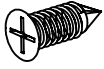

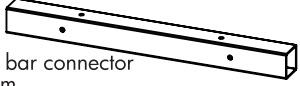



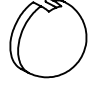
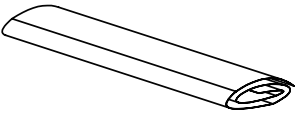
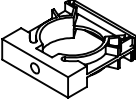
DO NOT ATTEMPT TO  
ASSEMBLE THE ROLLING  
SCREEN ALONE!



# List of Parts



The rolling screen is shipped in one carton. Be careful when lifting it. Wear proper safety gear including work shoes, gloves and goggles. The parts are identified by removable stickers. Place all the parts for each step in staging areas, checking that you have all parts as you go. If any parts are missing or damaged, contact customer service before beginning assembly:  
**Customer Service:(877) 782 4482 Email:cs-outdoors@paragongroupusa.com**

No.	Part	Qty	Step	No.	Part	Qty	Step
1	 Profile 2070mm	2	1	11	 Lower bar 2070mm	2	3
2	 Profile GZ3RL-10=238mm GZ3RL-12=838mm GZ3RL-14=1488mm GZ3RL-16=2038mm	2	1	12	 Lower bar GZ3RL-10=234mm GZ3RL-12=834mm GZ3RL-14=1484mm GZ3RL-16=2034mm	2	3
3	 Profile connector 200mm	2	1	13	 Left rail 2070mm	2	3
4	 Enlarger 60mm	4	1	14	 Right rail 2070mm	2	3
5	 End cap	2	3	15	 Screw M4x25mm	12	3
6	 Rolling controller	2	3	16	 Screw M4x10mm	44	1,3 4
7	 Plastic block	4	3	18	 Lower bar connector 200mm	2	3
8	 Right bracket	2	3	19	 Double sided sticker GZ3RL-10=12pcs GZ3RL-12=14pcs GZ3RL-14=16pcs GZ3RL-16=18pcs	2	
9	 Left bracket	2	3	20	 Chain stopper	4	4
10	 Netting	2	2	21	 Chain holder	4	4

We included some extra screws and bolts for your convenience.

# STEP 1 Assembling the Profile

## Components



Profile(1)  
x 2



Profile(2)  
x 2

GZ3RL-10=238mm  
GZ3RL-12=1488mm  
GZ3RL-14=838mm  
GZ3RL-16=2038mm



Profile connector(3)  
x 2



Enlarger(4)  
x 4

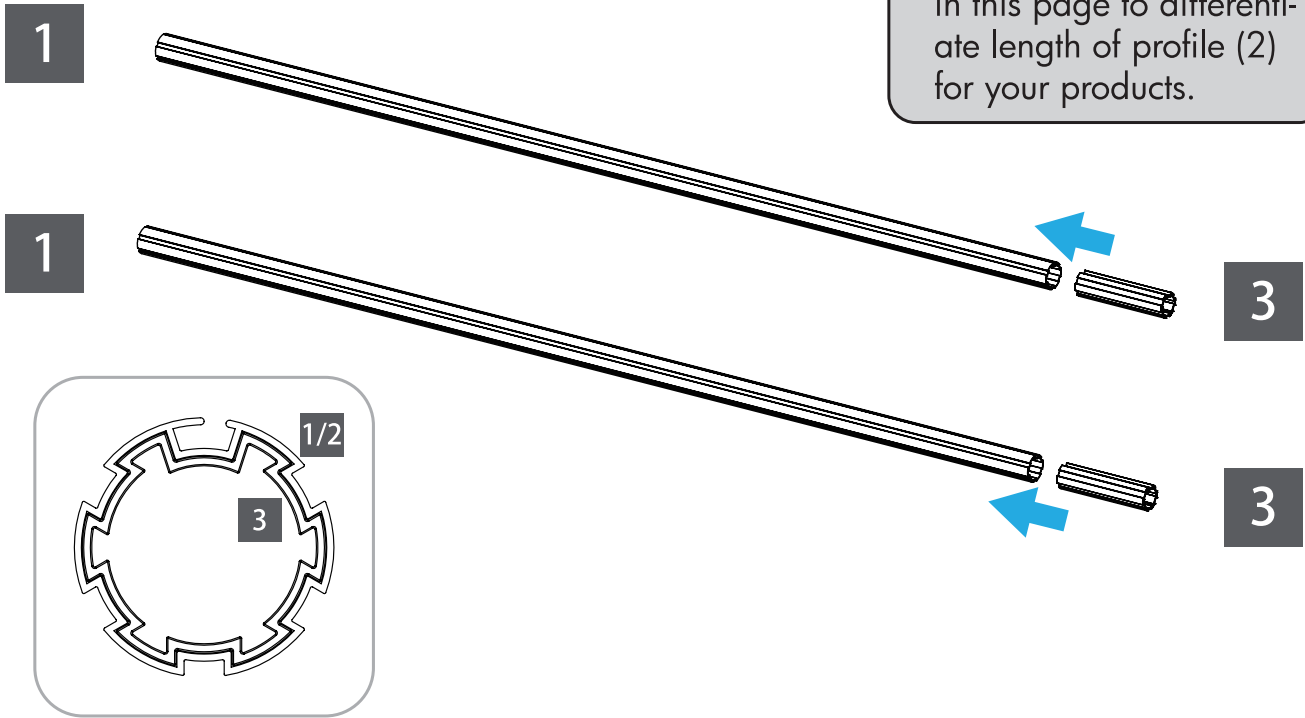


Screw(16)  
x 16

### 1.A

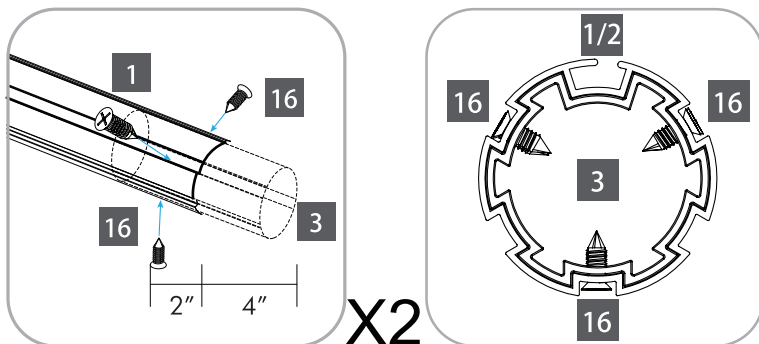
Insert profile connector (3) into profile (1) with four inches left outside as shown.

**ATTENTION:**  
Follow the "Components" in this page to differentiate length of profile (2) for your products.



### 1.B

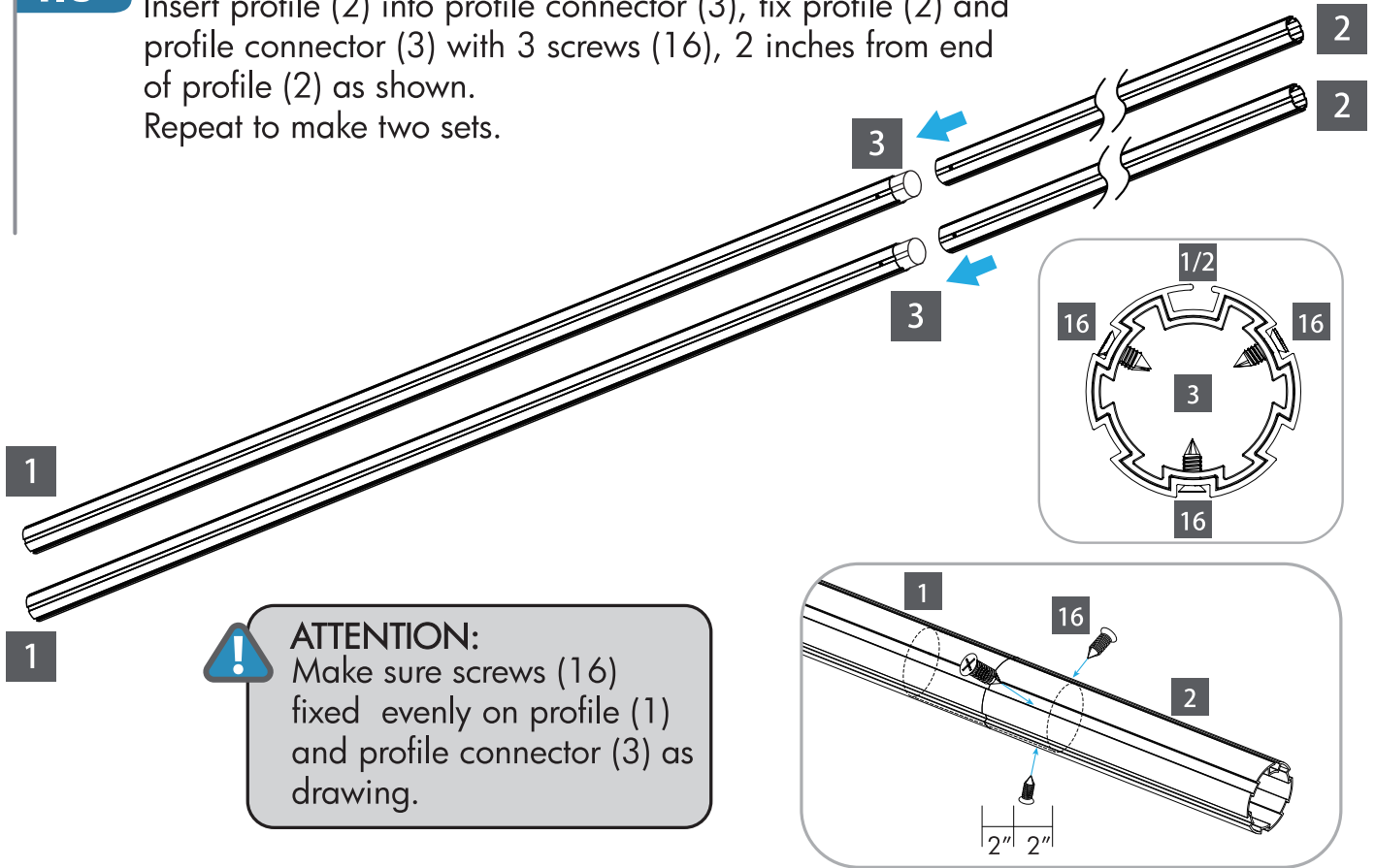
Fixing profile (1) and profile connector (3) with three screws (16), 2 inches from end of profile (1) as shown. Repeat to make two sets.



**ATTENTION:**  
Make sure screws (16) fixed evenly on profile (1) and profile connector (3) as drawing.

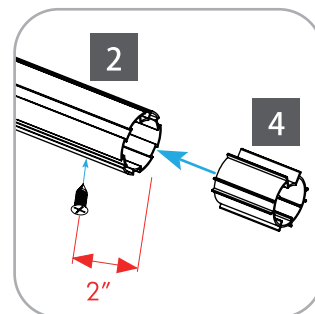
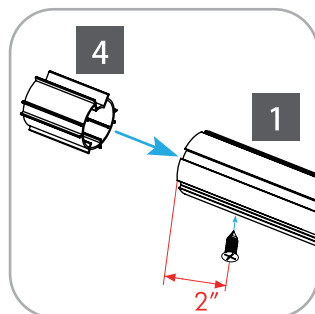
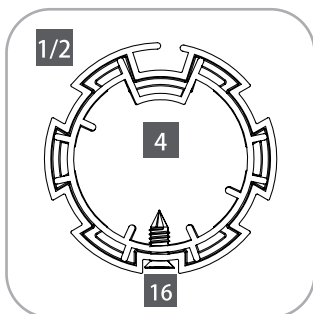
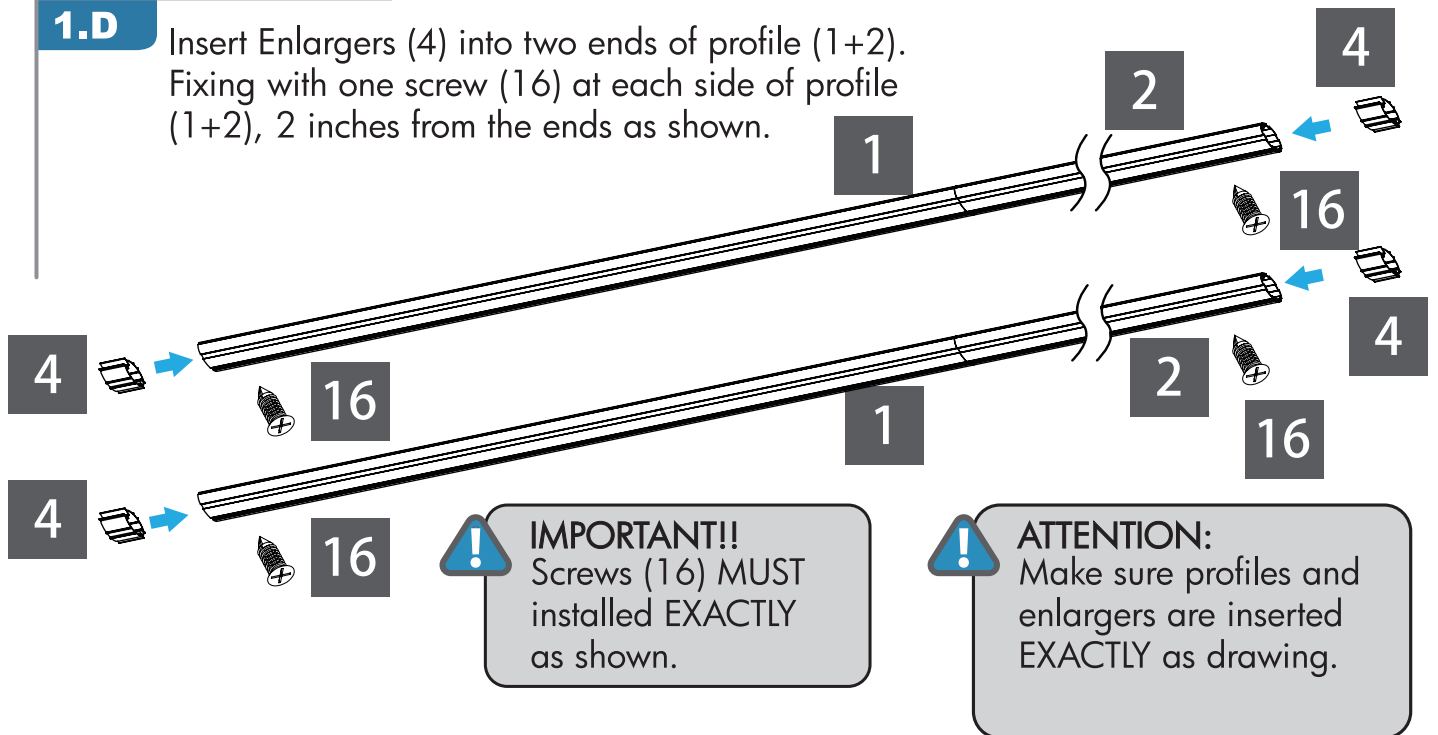
### 1.C

Insert profile (2) into profile connector (3), fix profile (2) and profile connector (3) with 3 screws (16), 2 inches from end of profile (2) as shown. Repeat to make two sets.



### 1.D

Insert Enlargers (4) into two ends of profile (1+2). Fixing with one screw (16) at each side of profile (1+2), 2 inches from the ends as shown.

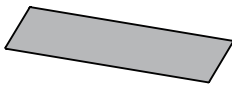
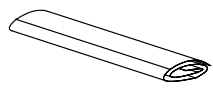


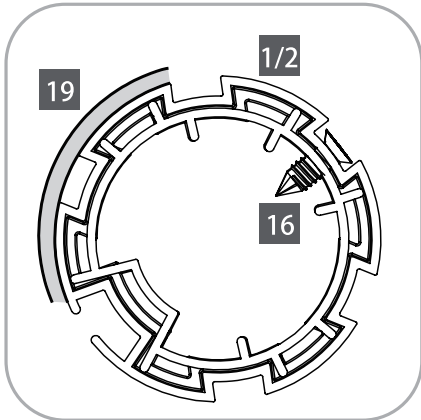
# STEP 2 Assembling the Netting

## 2.A

Take off one side of double sided stickers (19) cover paper and attach on the profile (1+2) horizontally and evenly, EXACTLY as shown.

### Components

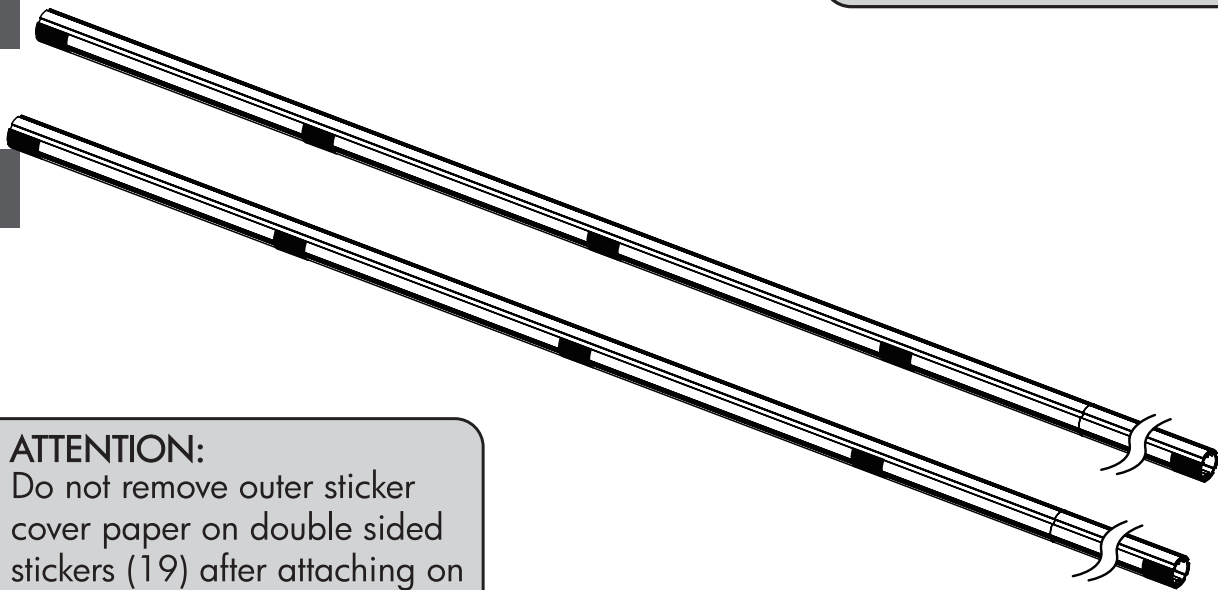
	10'x5 12'x6 14'x7 16'x8	
Double sided sticker(19)		Netting(10) x 2



**ATTENTION:**  
Follow the "Components" in this page to differentiate quantity of Double Sided Stickers for your products.

1

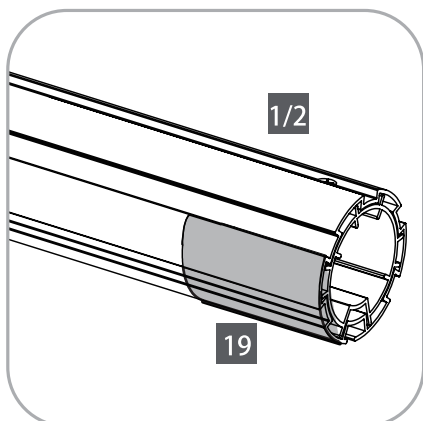
1



2

2

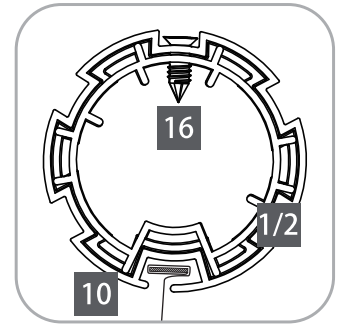
**ATTENTION:**  
Do not remove outer sticker cover paper on double sided stickers (19) after attaching on the profile (1+2) in this step.





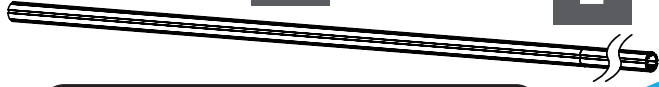
## 2.B

Turn the stapled stripe on the netting(10) 180 degree downward as shown. Insert netting(10) into profile(1+2) gently. Exactly as shown.

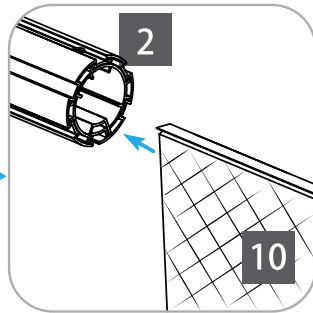
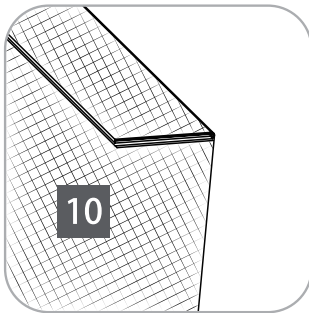
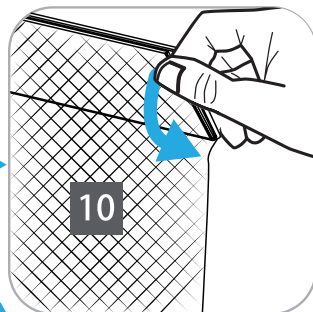
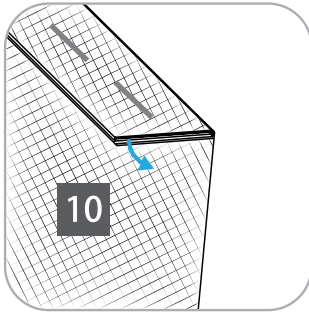


1

2



TIP: Place Netting on clean and even surface for easy installation.



**IMPORTANT!!**  
Make sure the netting stripe inserted EXACTLY as drawing.

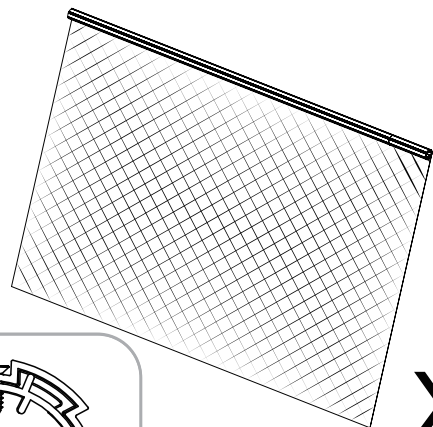
X2

## 2.C

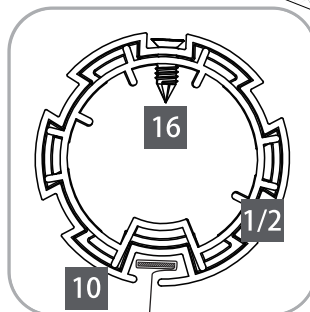
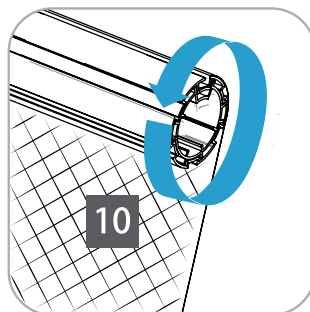
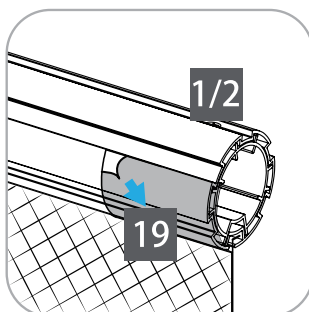
Remove outer sticker cover paper on the profile (1+2). Attach netting (10) on profile (1+2) by rolling the profile (1+2) toward the double sided sticker as shown.



**IMPORTANT!!**  
Make sure netting (10) attached by double side stickers (19) on profile (1+2) evenly.

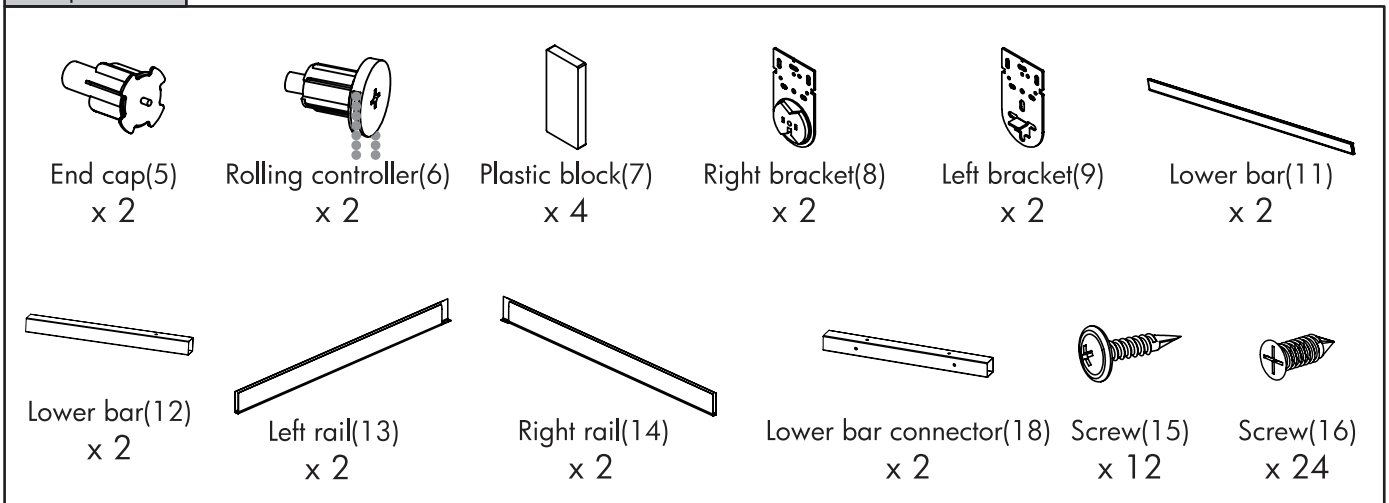


X2



# STEP 3 Installing netting screen on the Gazebo

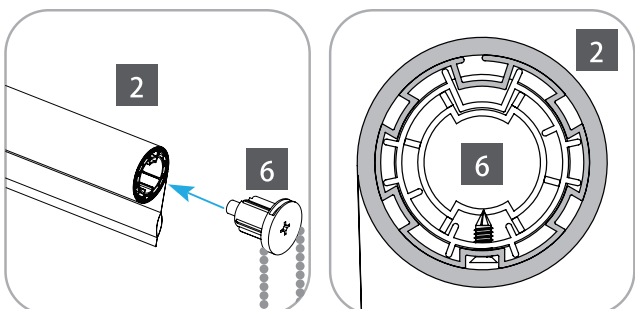
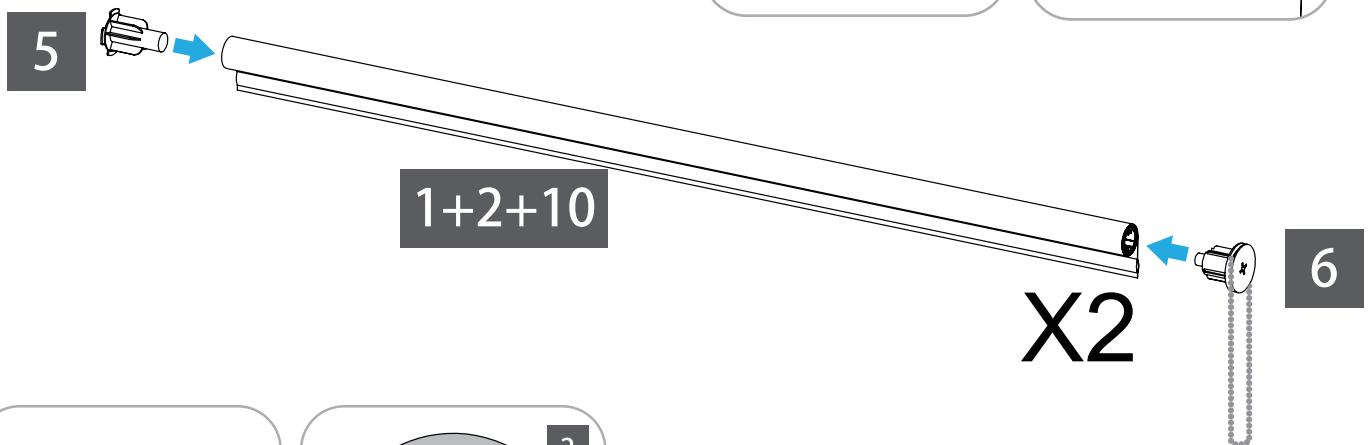
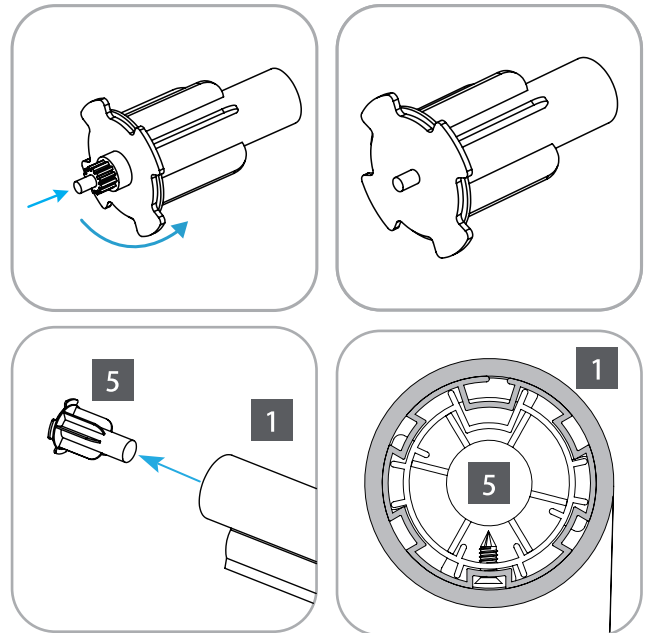
## Components



### 3.A

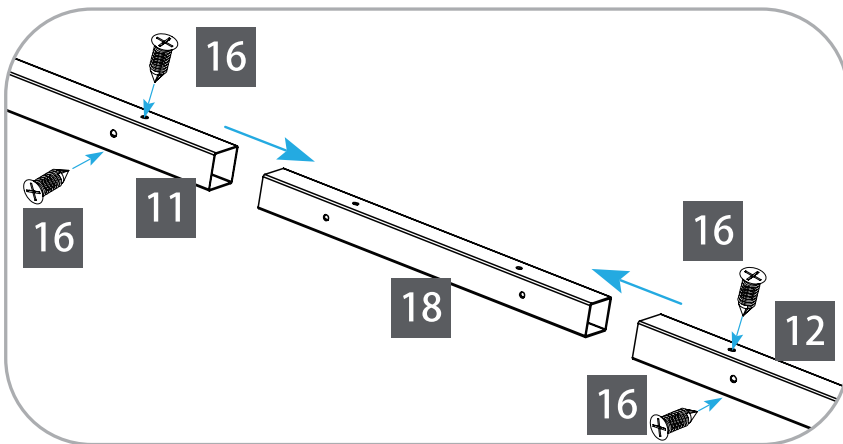
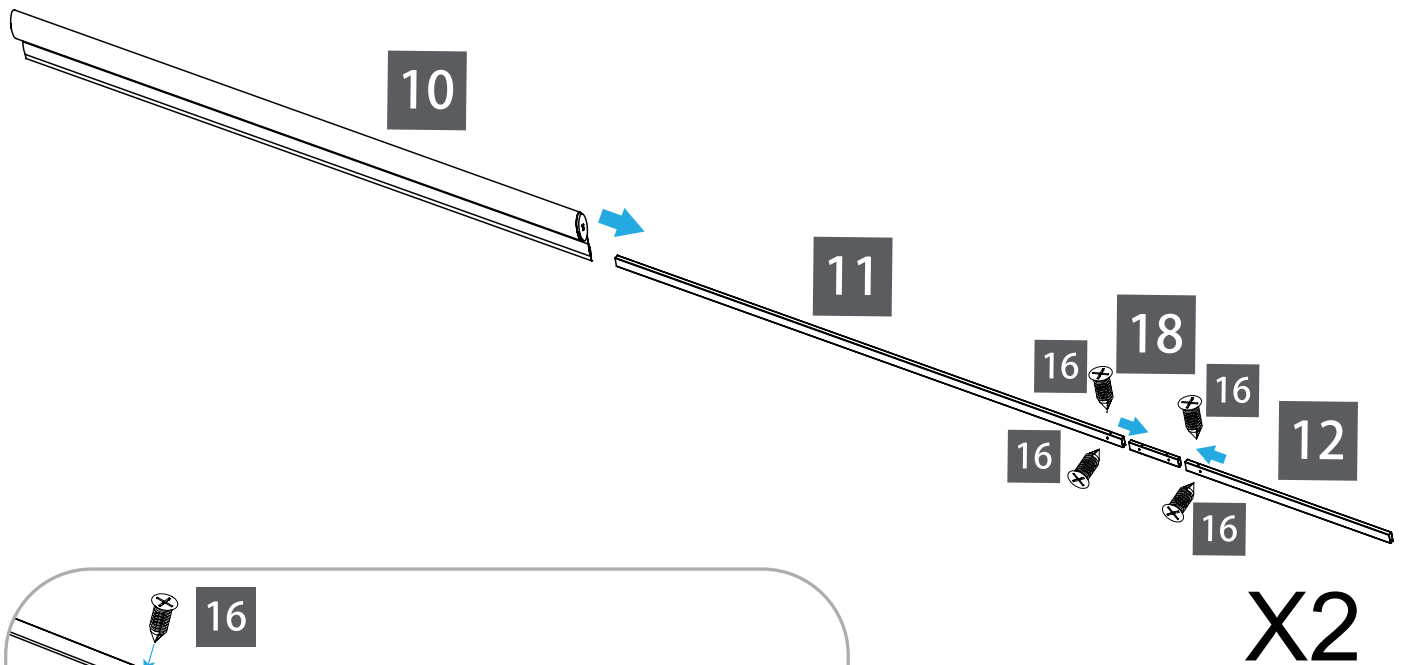
Turn the end cap rotator to adjust end cap steel bar length at 1/4" outside of the end cap (5)  
 Insert end cap (5) into profile (1) as shown.  
 Insert rolling controller (6) into profile (2) as shown.

**ATTENTION:**  
 Make sure the direction of rolling screen (1+2+10), end cap (5) and rolling controller (6) installed the same as images.

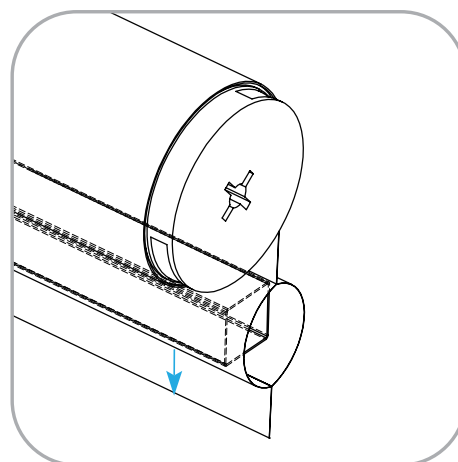
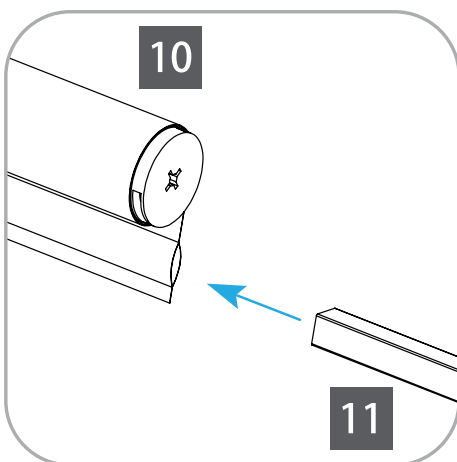


### 3.B

Connect lower bar (11) and (12) by lower bar connector (18) using screw (16) as shown.  
Insert lower bar (11+12) into bottom pocket of netting screen (10).



**ATTENTION:**  
Make sure lower bar (11+12) placed into the screen pocket.



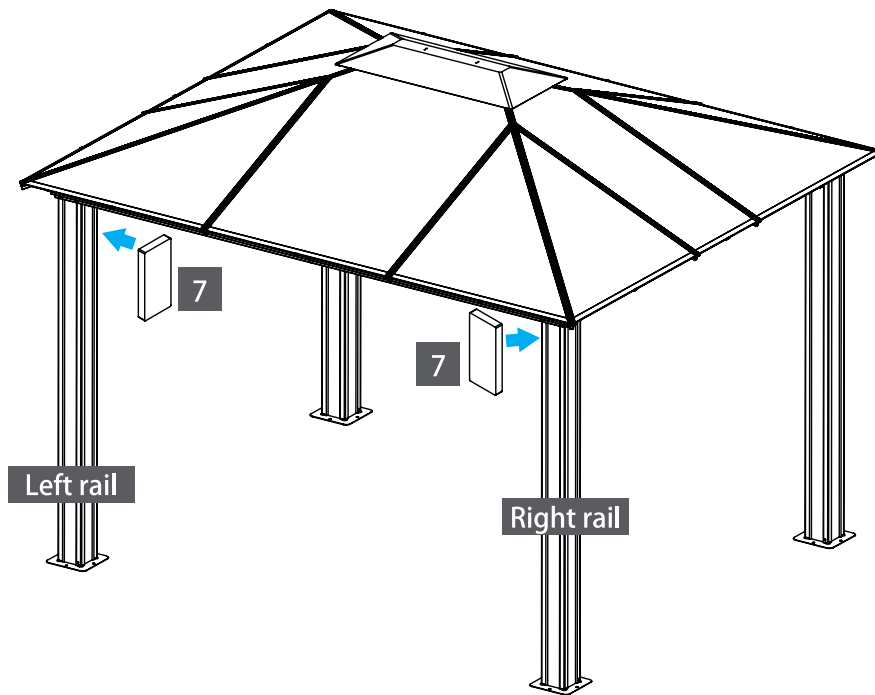
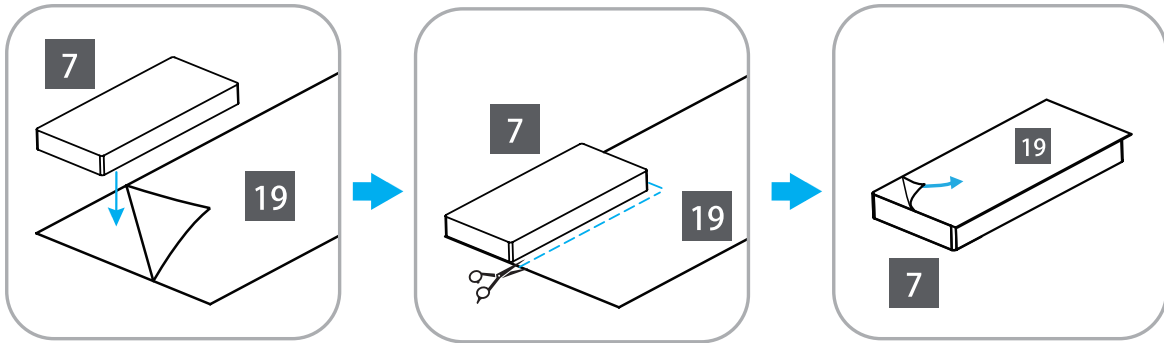
### 3.C

Attach plastic block (7) on the Gazebo post top end and by double sided sticker (19) as shown.



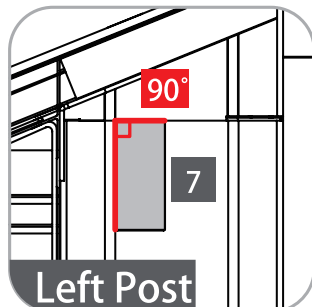
#### ATTENTION:

Plastic block (7) MUST be attach on the posts at 90 degree angle with post top end and post vertical line.



Left rail

X2



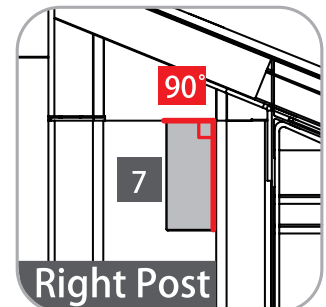
Left Post

VIEW FROM INSIDE



Right rail

X2



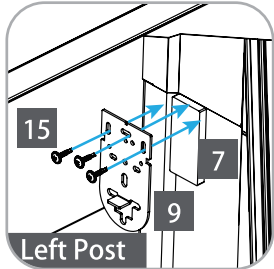
Right Post

VIEW FROM INSIDE

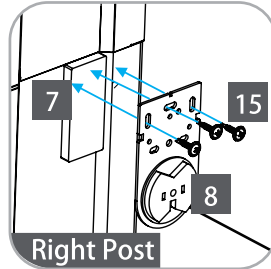
### 3.D

Attach right bracket (8) on the right post by three screws (15) with electronic drill.  
Attach left bracket (9) on the left post by three screws (15) with electronic drill.  
Two screws need to drill through plastic block (7) and fixed on the post.

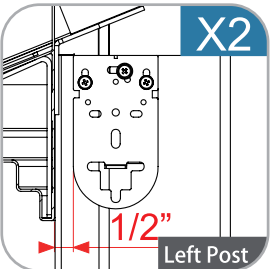
**ATTENTION:**  
Use three upper holes on the brackets (8/9) for screws (15) fixing position.



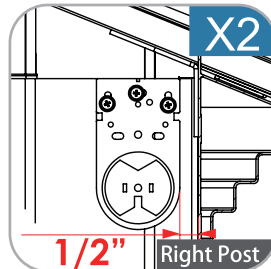
VIEW FROM INSIDE



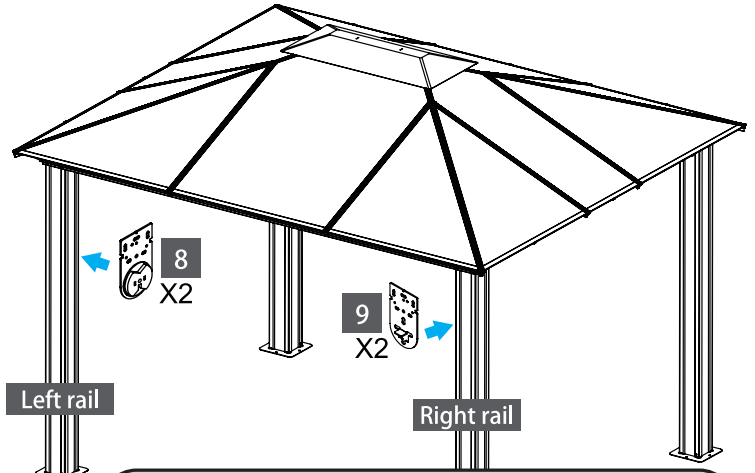
VIEW FROM INSIDE



VIEW FROM INSIDE



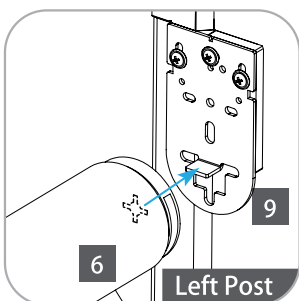
VIEW FROM INSIDE



**IMPORTANT!!**  
Bracket (8/9) MUST leave 1/2" in front of the posts, vertically.  
Make sure two left screws (15) aim at plastic block (7), the right screw (15) aim at post surface before drilling.

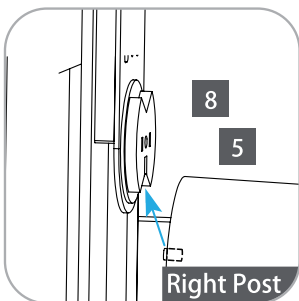
### 3.E

Insert rolling controller (6) into left bracket (9).  
Insert end cap (5) into right bracket (9) by pushing upward of the end cap (5) plastic rail, with a "Click".



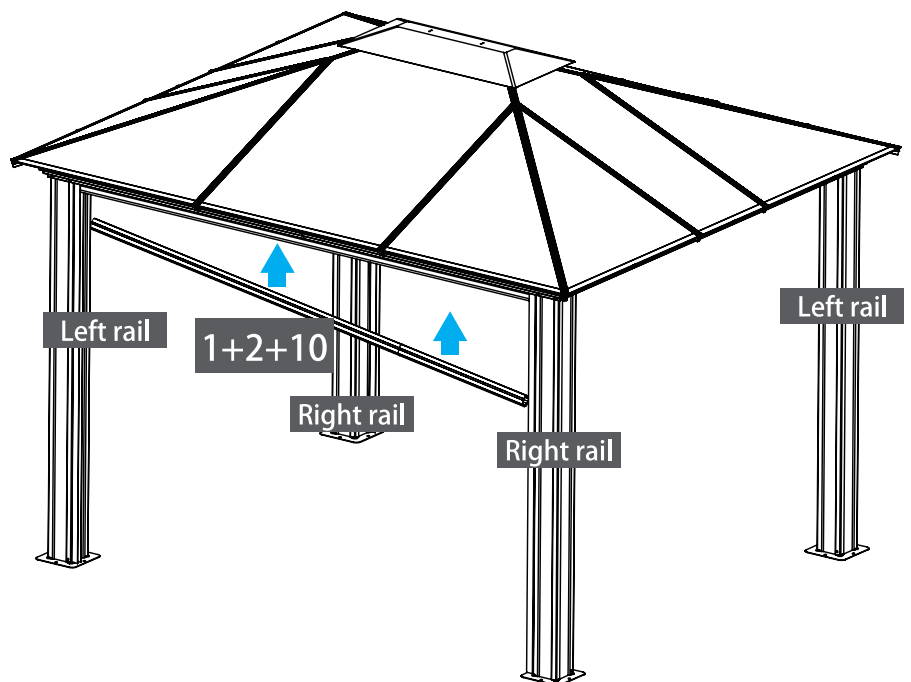
VIEW FROM INSIDE

X2



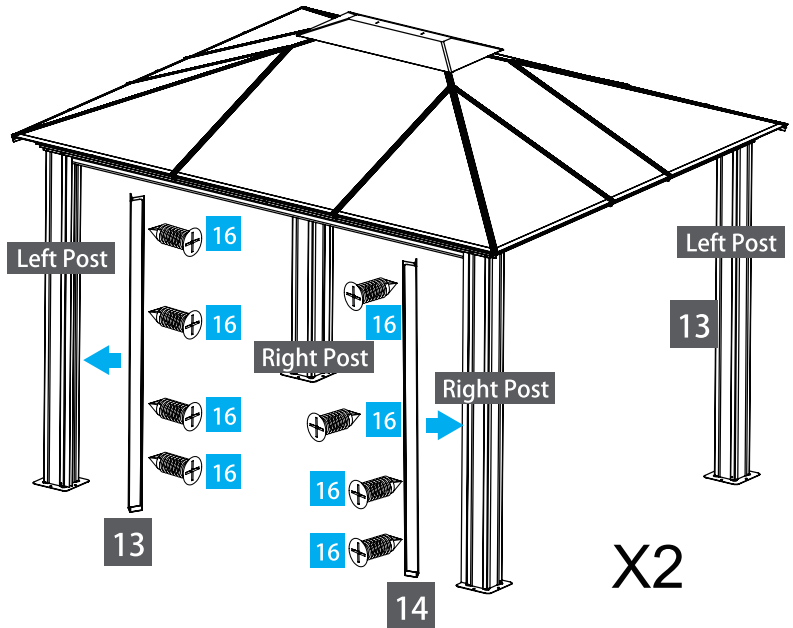
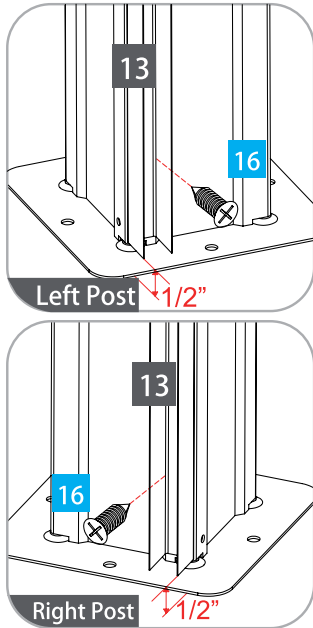
VIEW FROM INSIDE

X2



### 3.F

Attach right rails (14) at the front part of the right posts with four screws (16) drill through right rails (14) and fix on right posts by electronic drill. Leave rails 1/2" from the base plate when installing. Attach left rails (13) evenly on posts with four screws (16) as shown. Repeat to attach left rails (13) on the front parts of the left posts as shown.

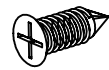


## STEP 4 Installing accessories

### 4.A

Adjust lower bar (11+12) bottom 2" from the rail tops, insert chain stopper (20) at the inner chain parallel to rail top by finger pressing. Roll down the screen to ground level, insert chain stopper (20) at the highest outer chain point as shown.

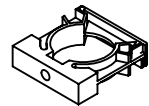
#### Components



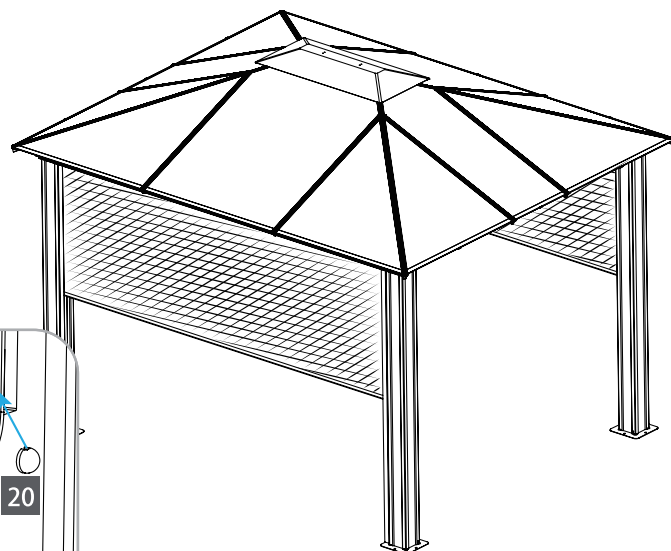
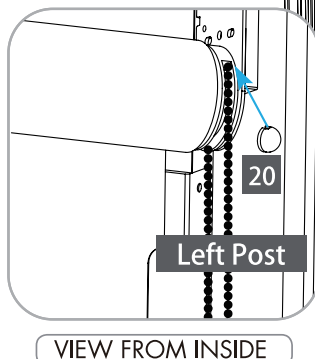
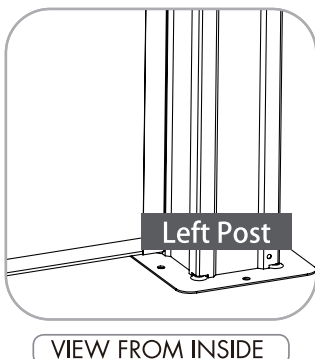
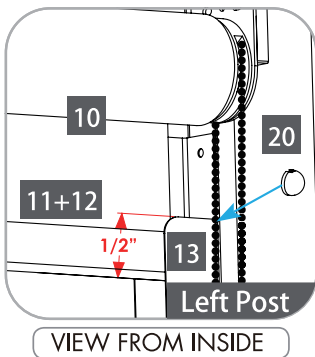
Screw(16)  
x 4



Chain stopper(20)  
x 4

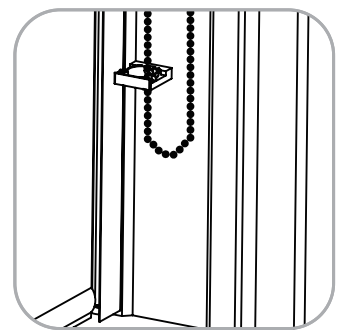
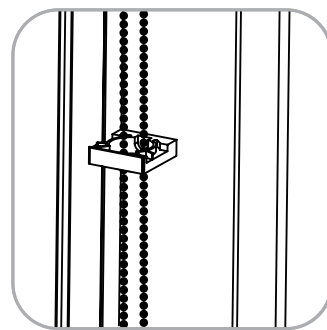
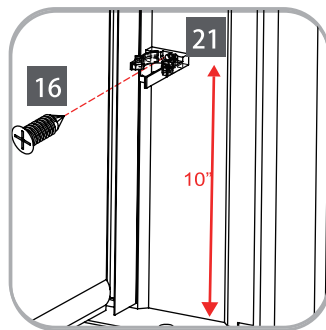
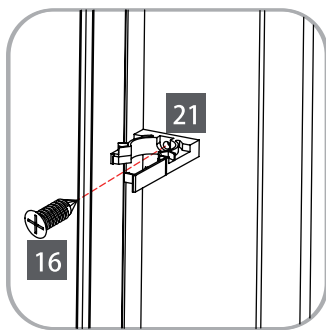
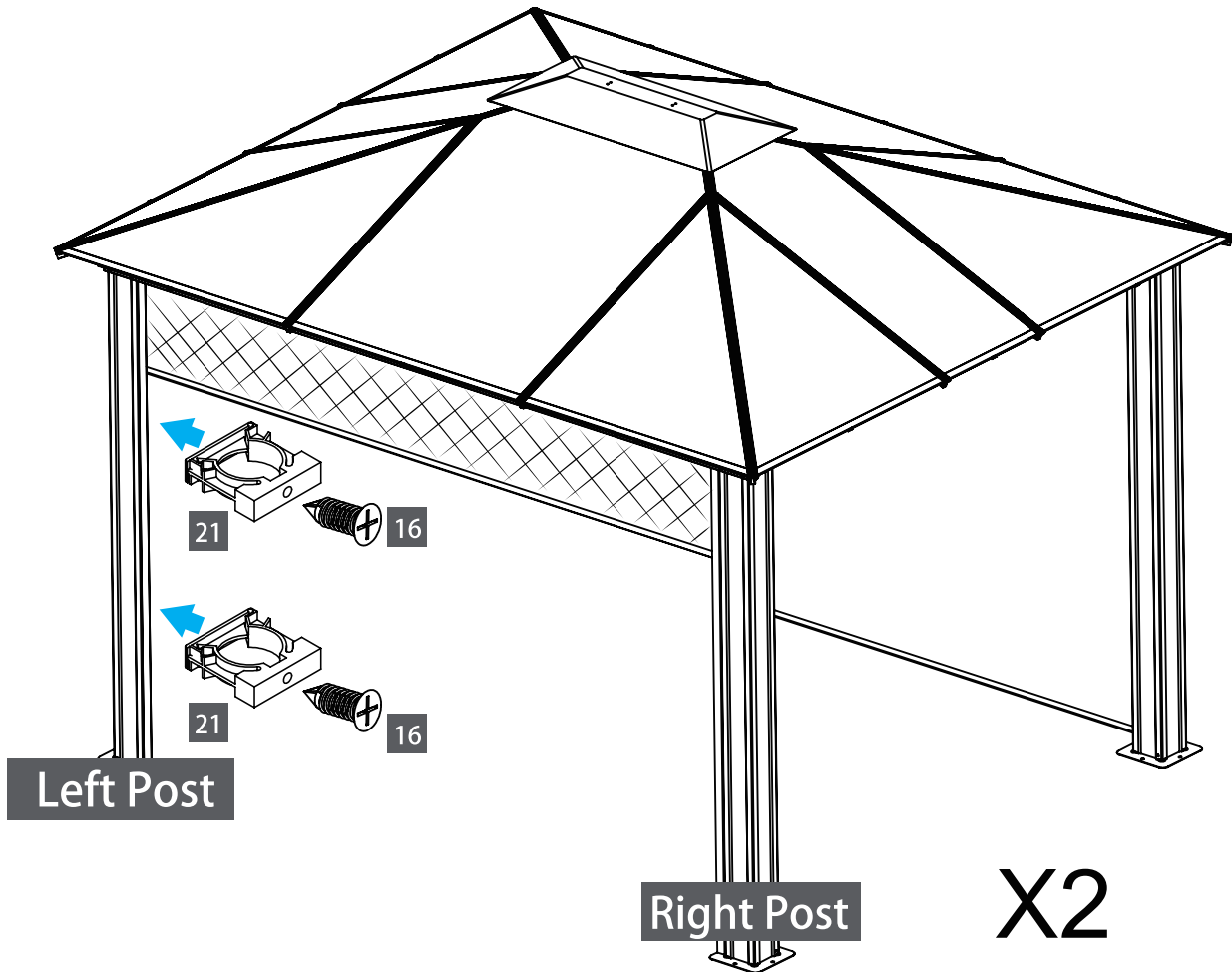


Chain holder(21)  
x 4



#### 4.B

Attach two chain holders next to rails (13/14) on left posts by screws (16); one at middle of the post, another one 10" from the ground. Secure chain inside the chain holder as shown for children safety.



VIEW FROM INSIDE



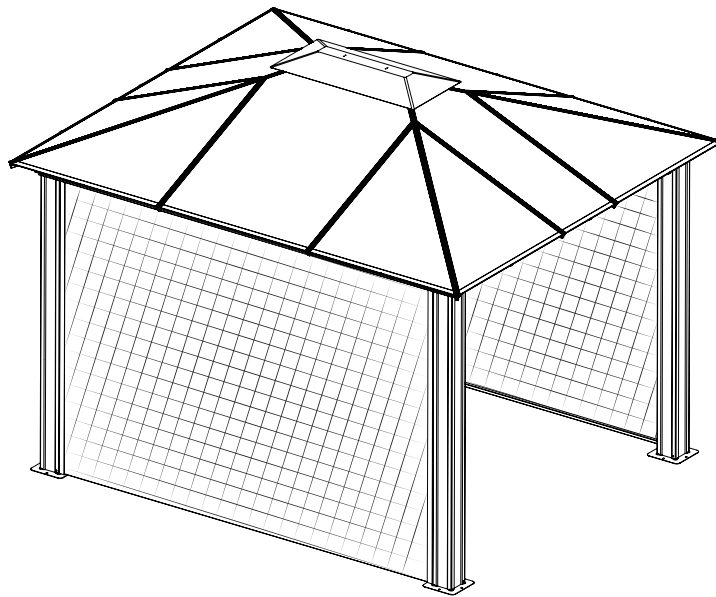
# Gazebo Rolling Screen

GZ3RL-10'

GZ3RL-12'


GZ3RL-14'

GZ3RL-16'




## WARRANTY:

Warranty covers damage due to manufacturing defects only for a period of 3 years on the structure and 2 years on the roof/canopy from date of purchase. Warranty does not cover weather inflicted damage and/or damages caused by not following assembly instructions and adhering to warnings in manual. Warranty does not cover user error, negligence, or misuse.

 **WARNING:** Cancer and Reproductive Harm-  
[www.P65Warnings.ca.gov](http://www.P65Warnings.ca.gov).

 **AVERTISSEMENT:** Cancer et Troubles de l' appareil reproducteur-  
[www.P65Warnings.ca.gov](http://www.P65Warnings.ca.gov).

 **ADVERTENCIA:** Cáncer y Daño Reproductivo-  
[www.P65Warnings.ca.gov](http://www.P65Warnings.ca.gov).



Paragon Group USA

  @paragonoutdoorcompany

Customer Service: (877) 782 4482 Email: [cs-outdoors@paragongroupusa.com](mailto:cs-outdoors@paragongroupusa.com)