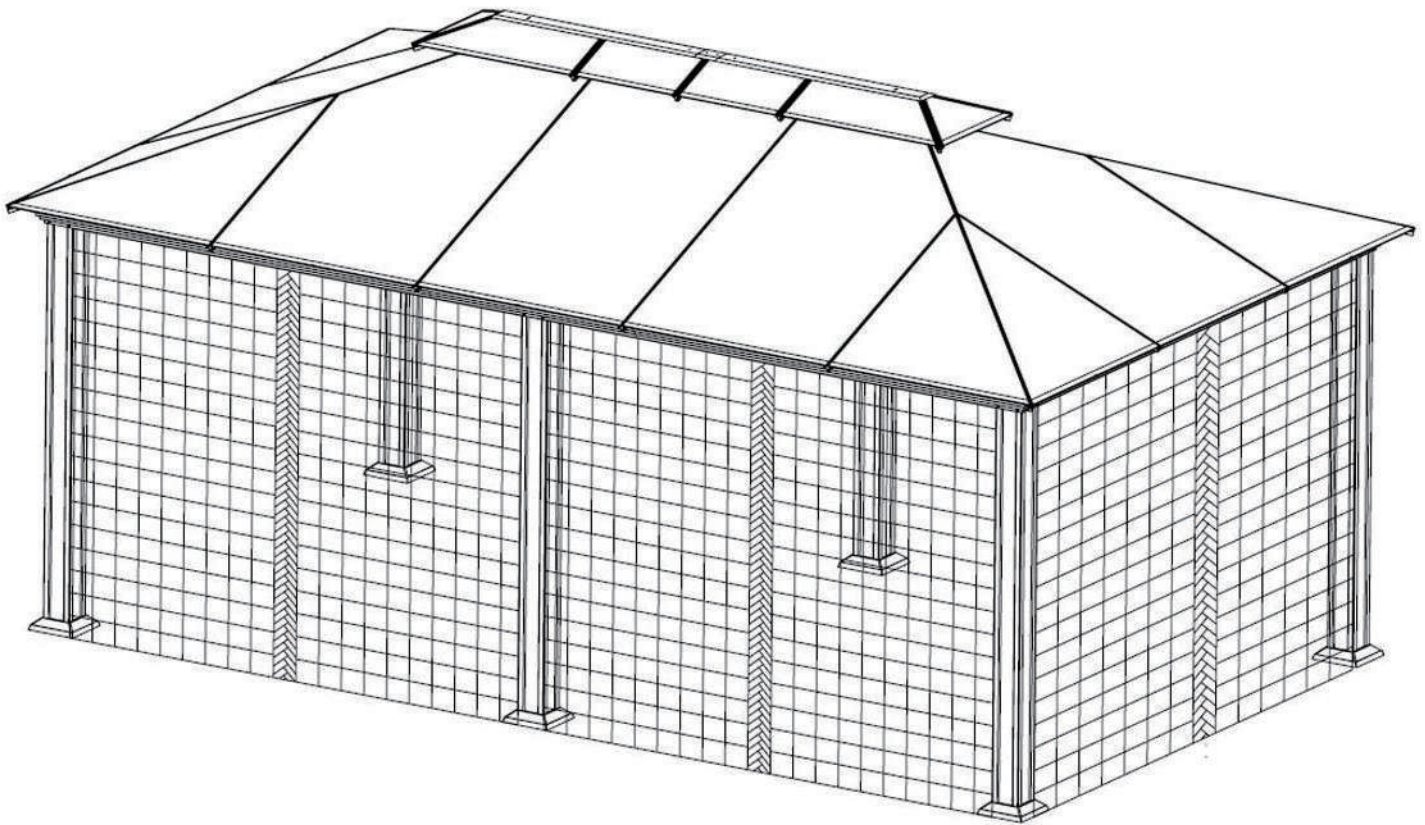


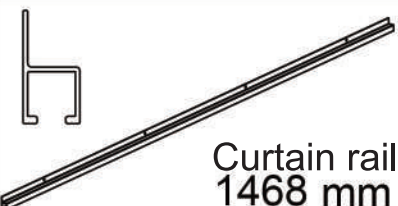

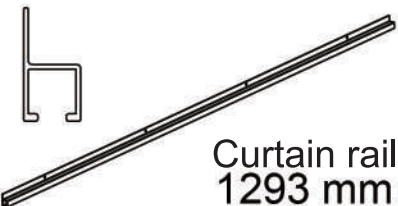
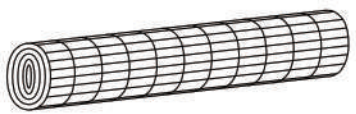

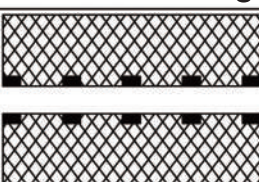
GZH3-1220-NT

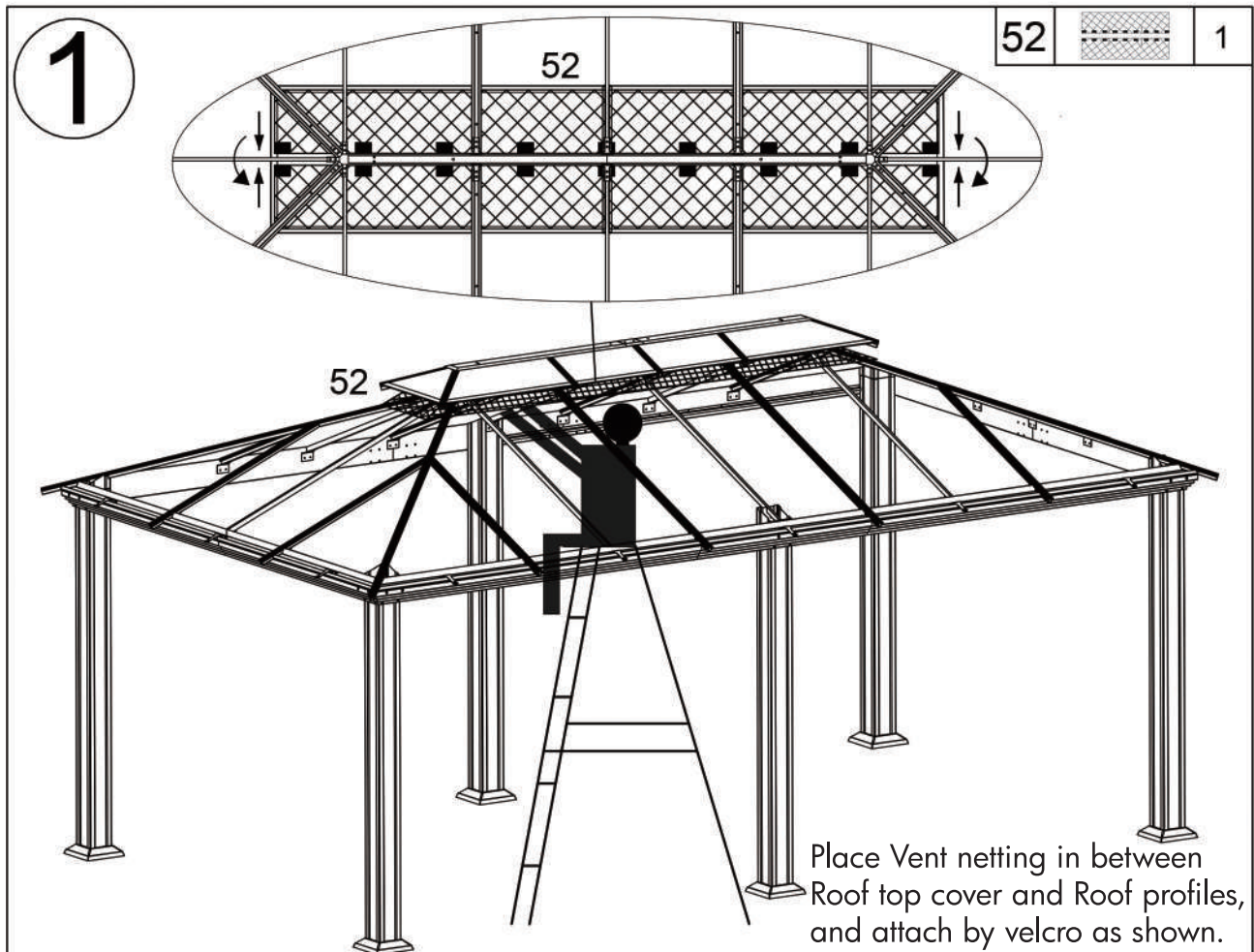
Double Curtain Installation Manual







Paragon Group USA

Customer Service: (877) 782 4482 Email: cs-outdoors@paragongroupusa.com

NO.	DRAWING	QTY	NO.	DRAWING	QTY
46	 Curtain rail 1468 mm	4	49	 Plastic hook	60 +6
47	 Curtain rail 1293 mm	8	50	 Netting curtain	1
48	 Screw M4x15 mm	48 +4	52	 Vent netting	1



2

46		4	48		48
47		8	49		60

7/8/8A

x4

48

47

47

49x10 pcs

48

Insert Plastic hooks into Curtain rails.

5

6

46

48

46

49x10 pcs

48

x2


Place Curtain rails in between the Side Rail screws and install by Self-tapping screws as shown.

5/6/7/8/8A

1.5cm

46/47

3

50		1
----	---	---

Hang Netting curtains on the hooks.

50

50

50

50

50

50

49

49

Fix Netting Curtains on the Posts by velcro stripes.

50

49

x4

GZH3-1220-NT

Double Curtain Installation Manual

WARRANTY:

Warranty covers damage due to manufacturing defects only. Warranty does not cover weather inflicted damage (Force Majeure) and/or damages caused by not following assembly instructions and adhering to warnings in manual.

ATTENTION: Roof profiles, roof panels and gables must be aligned properly during assembly to minimize any possibility of leaking.



  @paragonoutdoorcompany

Paragon Group USA

Customer Service: (877) 782 4482 Email: cs-outdoors@paragongroupusa.com